

咔搭 CaDA

Designed in California

TECHNIC

Building Blocks Remote-controlled Running Function



Double E



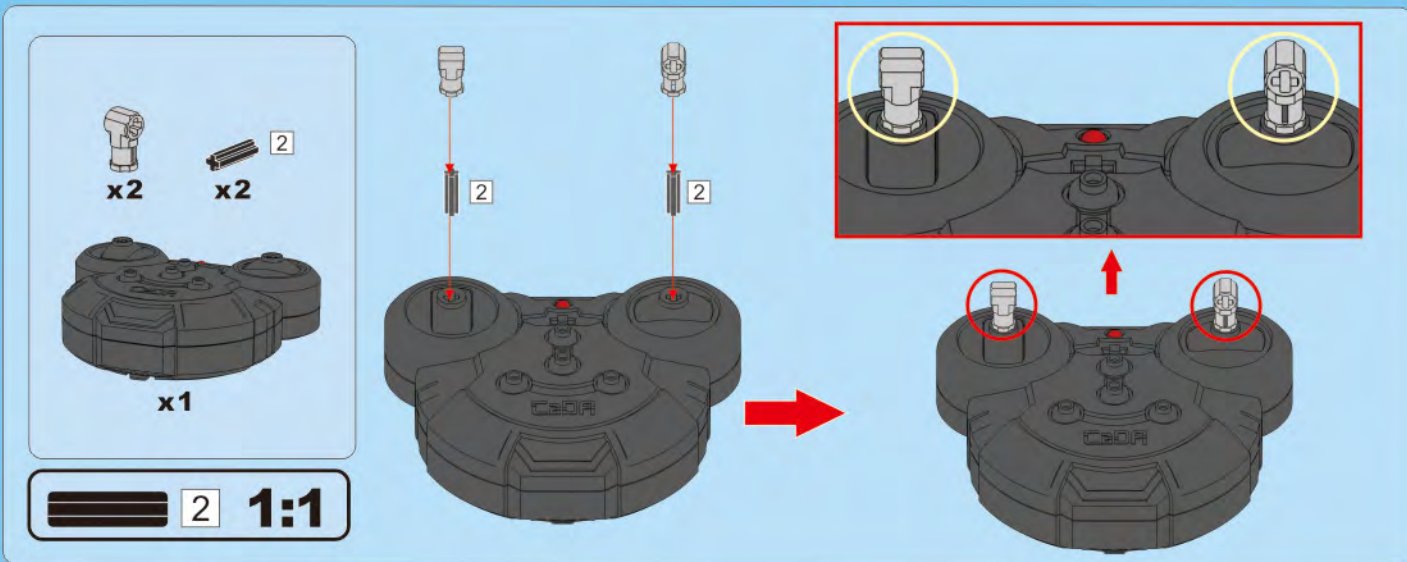
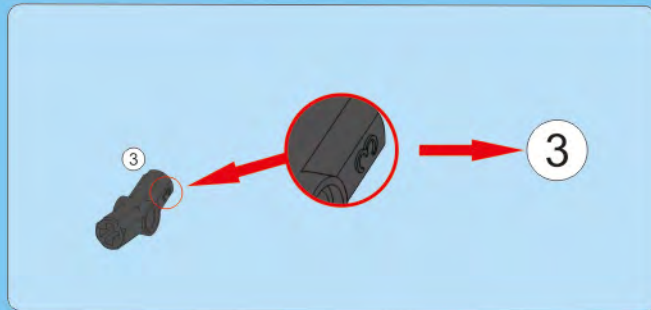
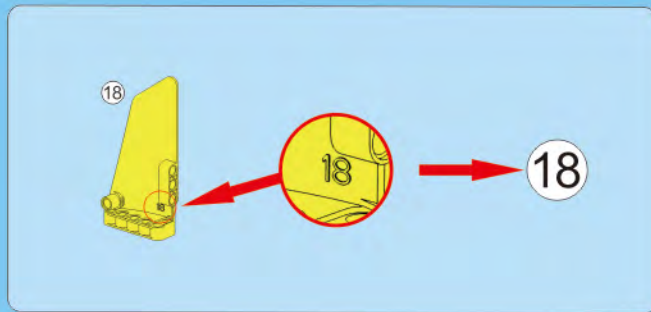
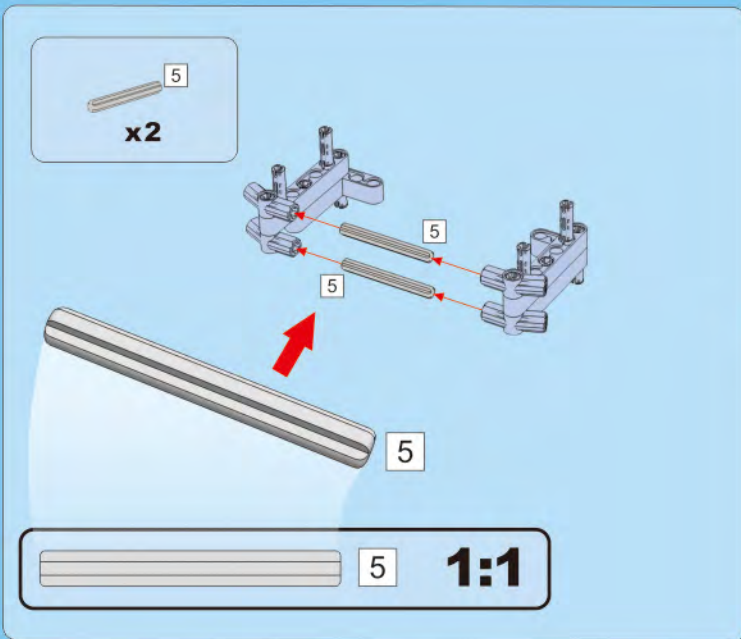
Age

6 +

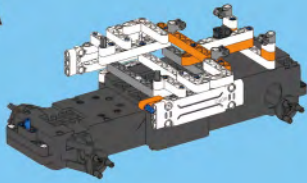
C51013

Mobile
Crane

RC
RADIO CONTROL



A



x3



x1



x2



x1

7



x1

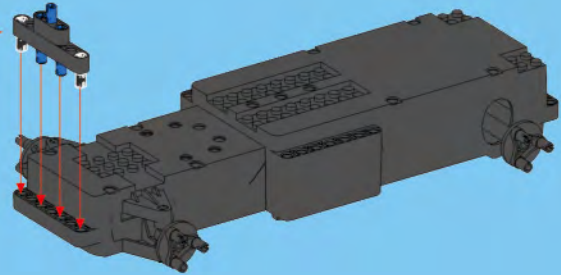
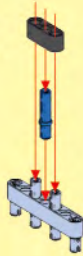
A1

1

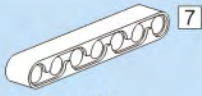


7

2



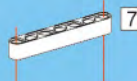
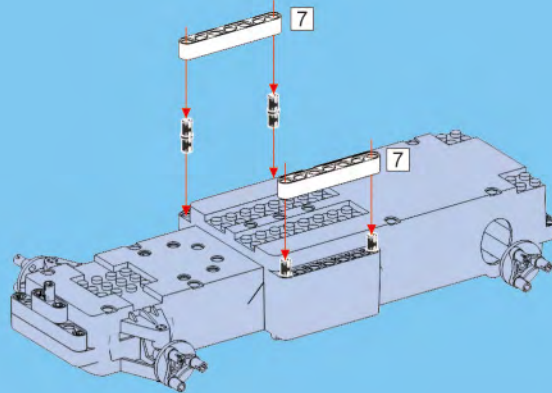
x4



x2

7

A2



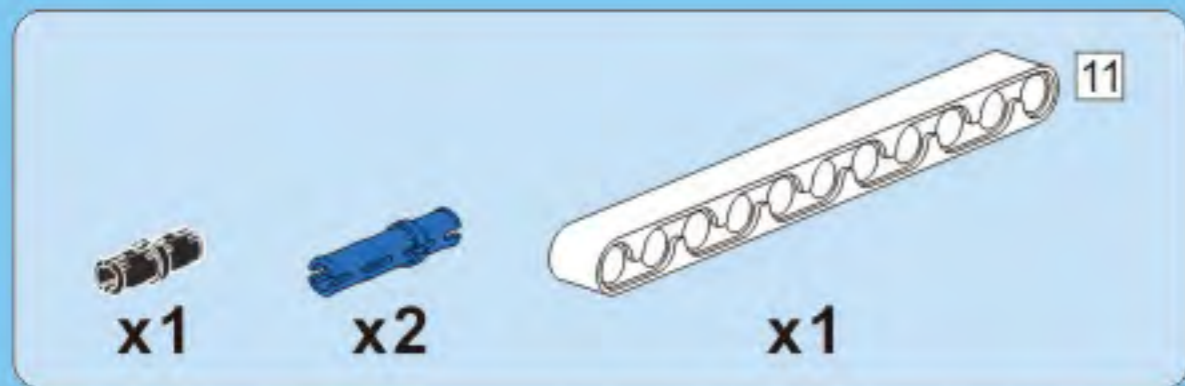
7

7

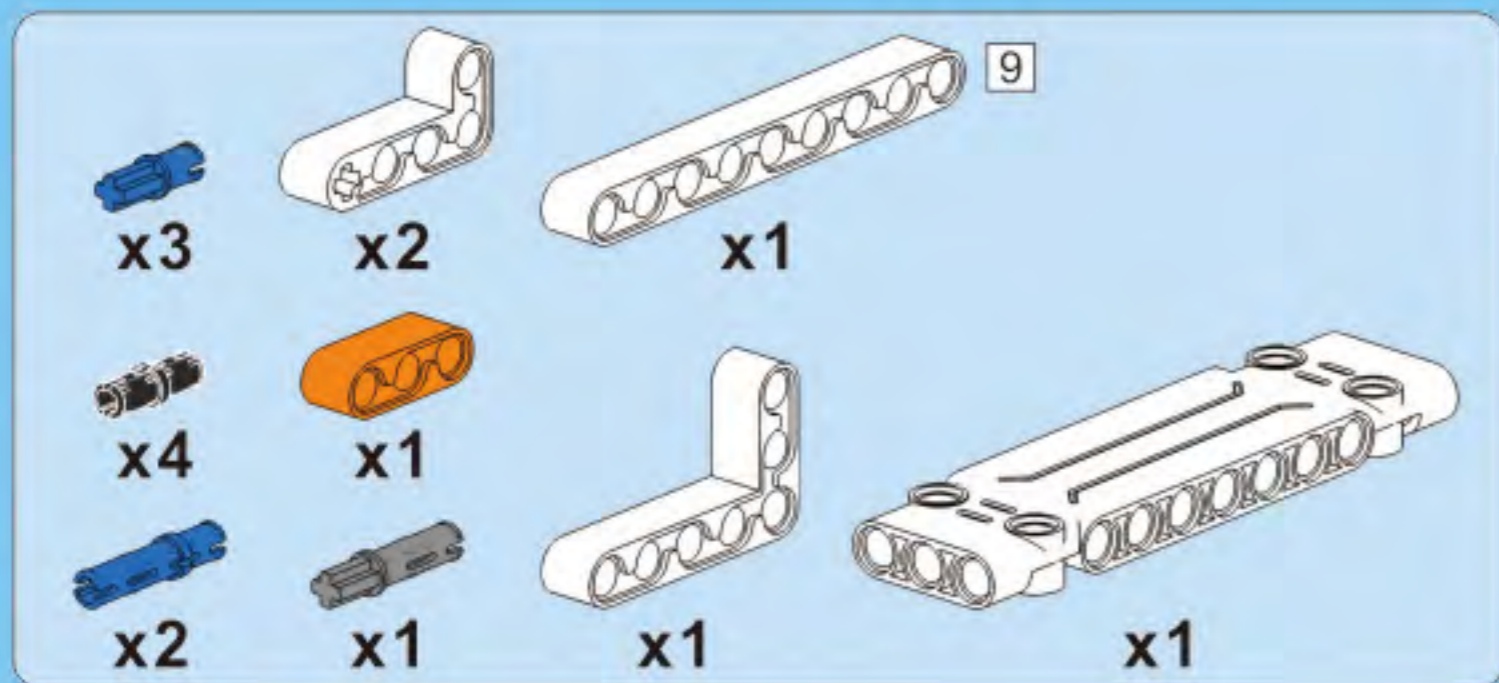
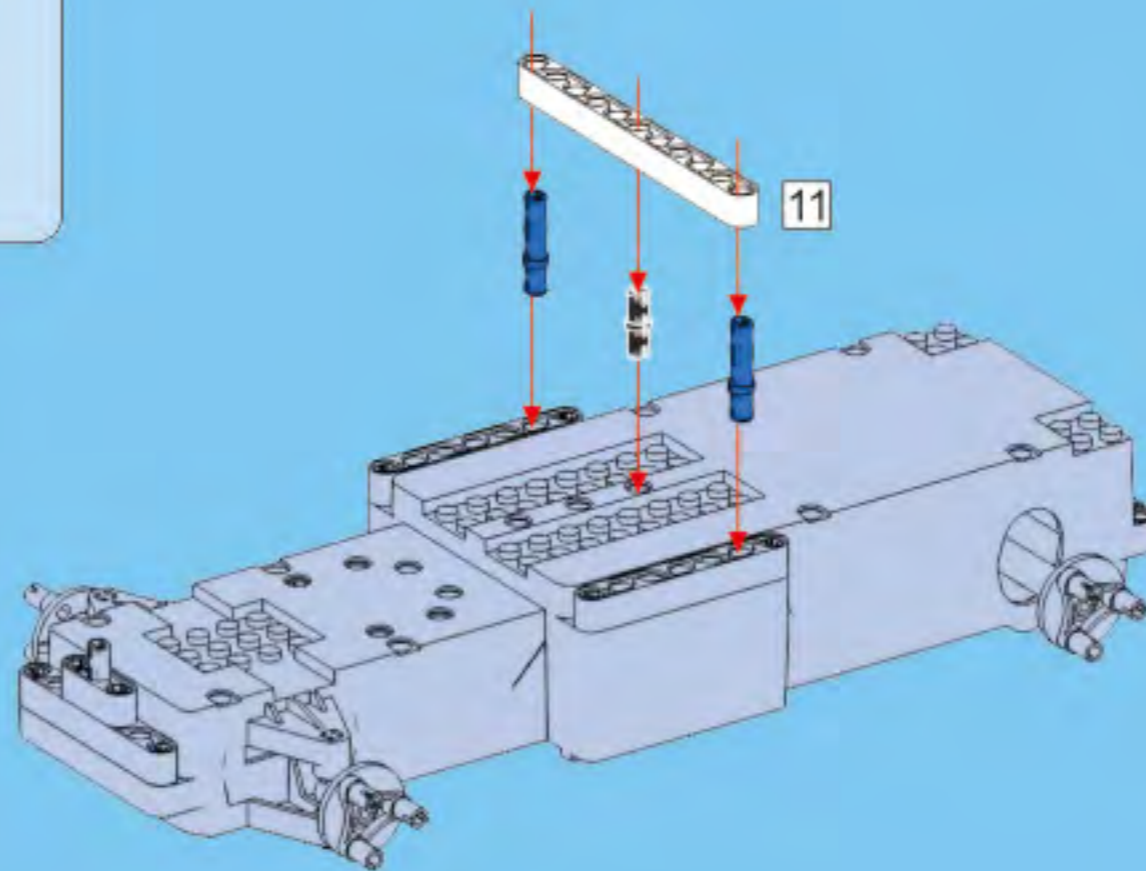


7

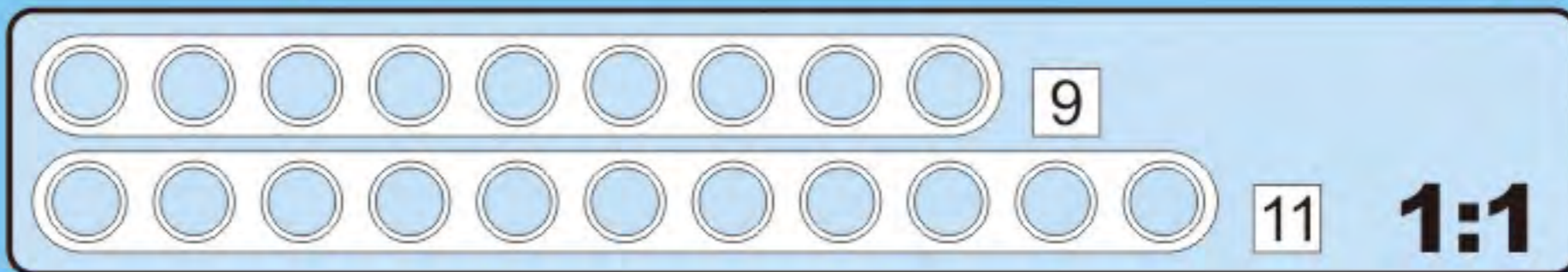
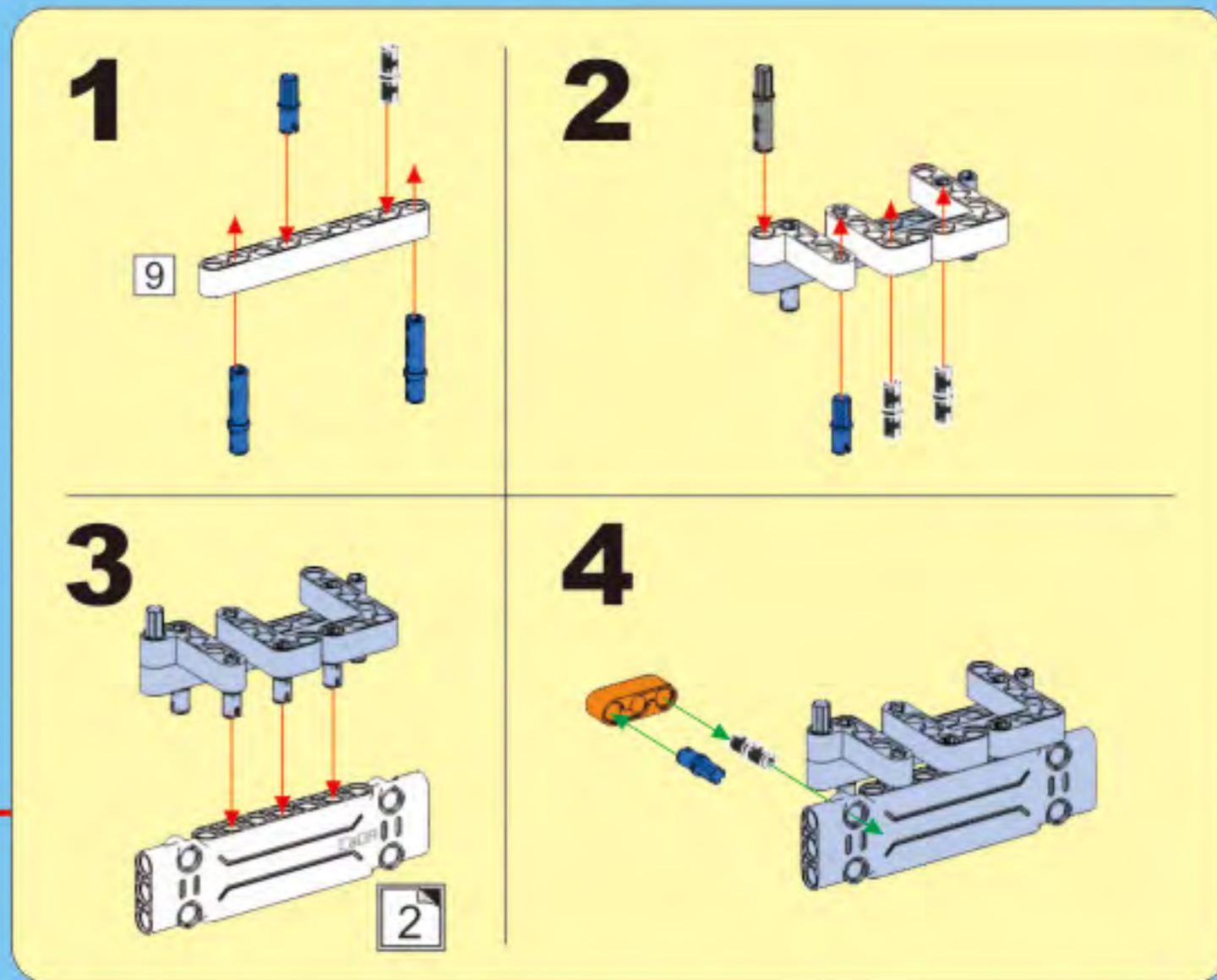
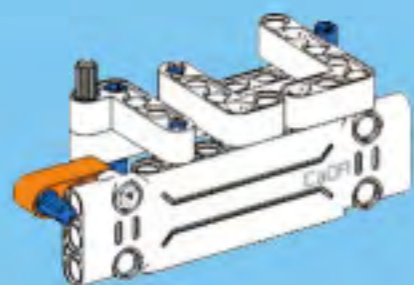
1:1

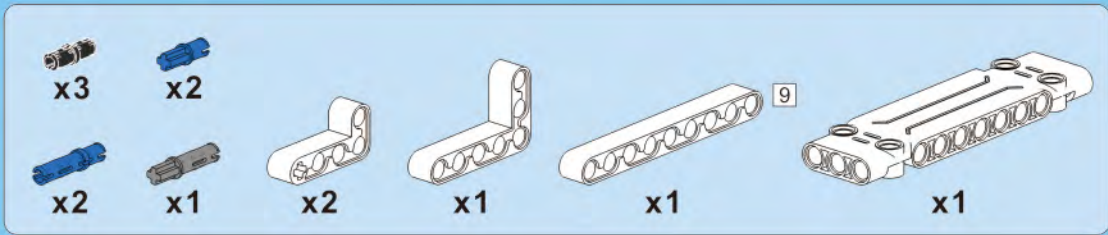


A3

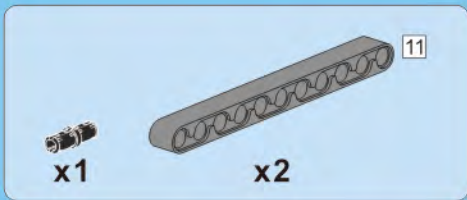
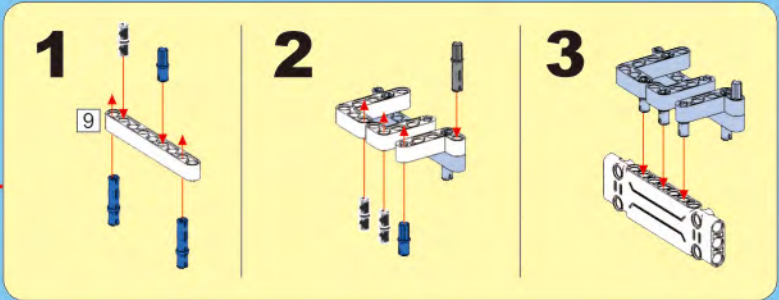
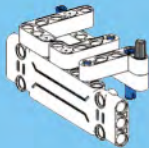


A4

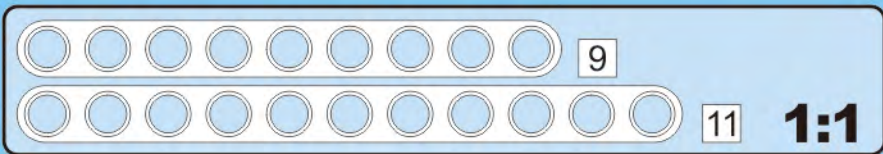
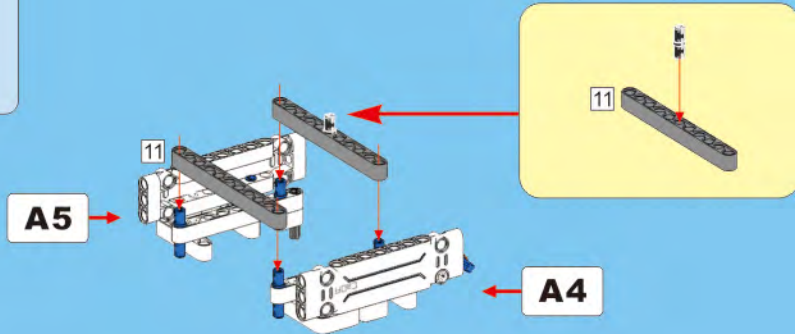




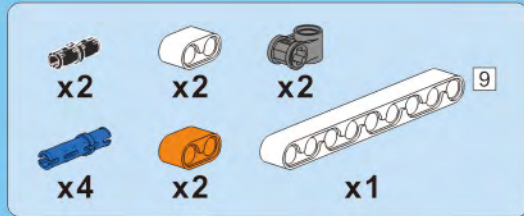
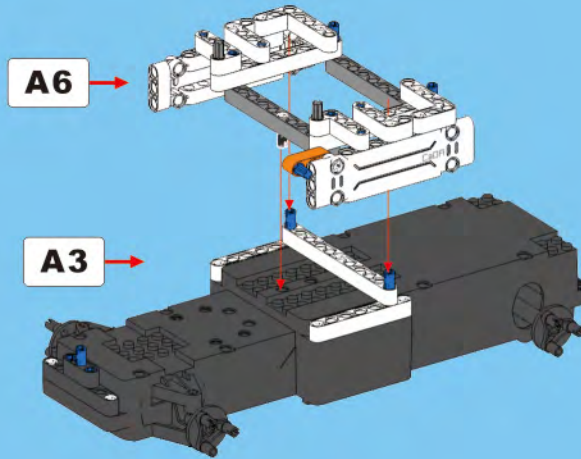
A5



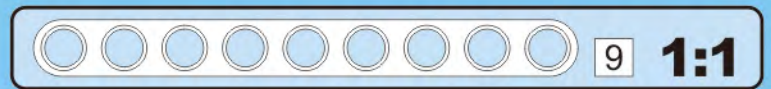
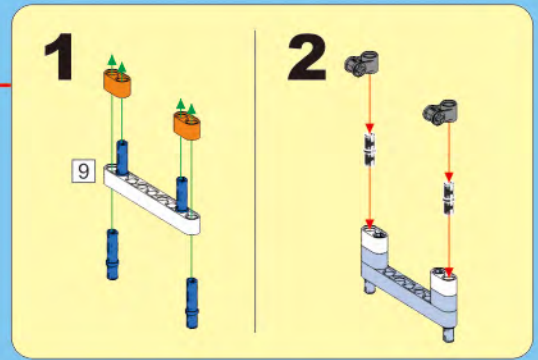
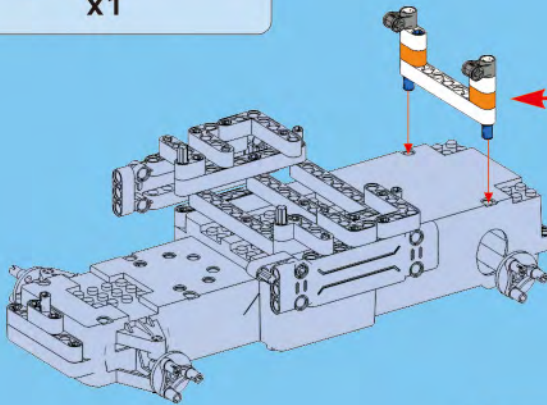
A6

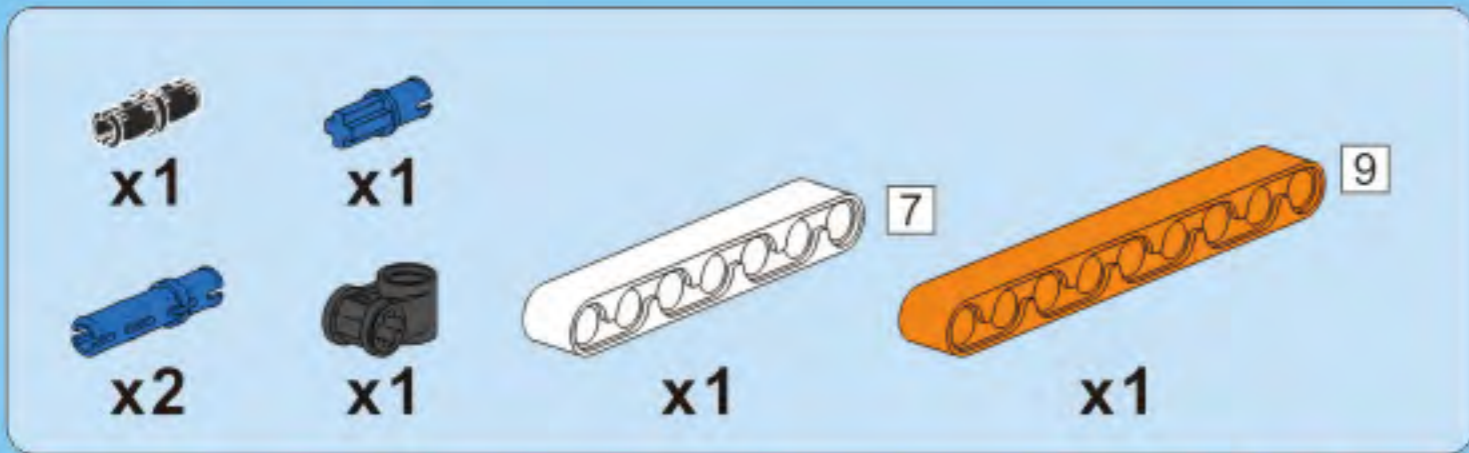


A7

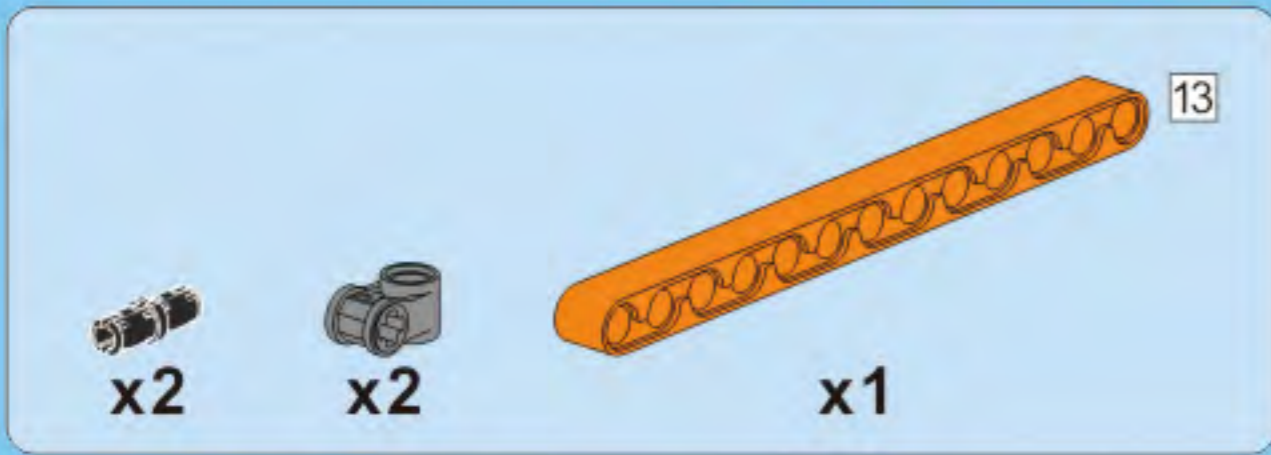
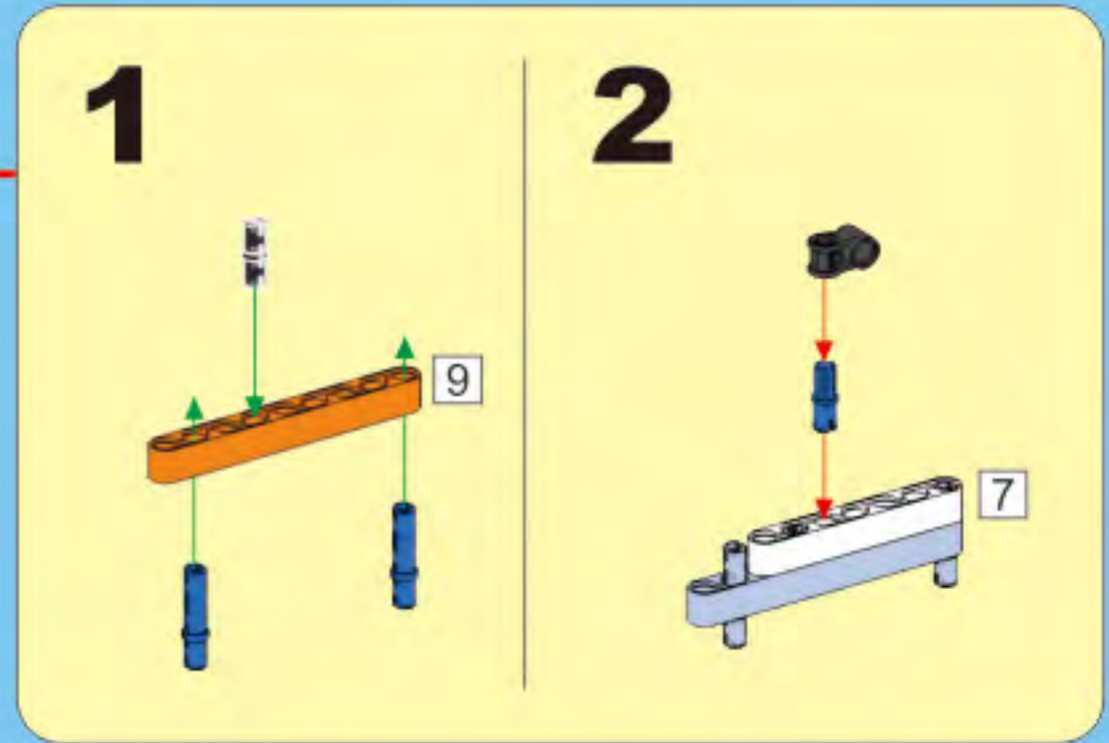
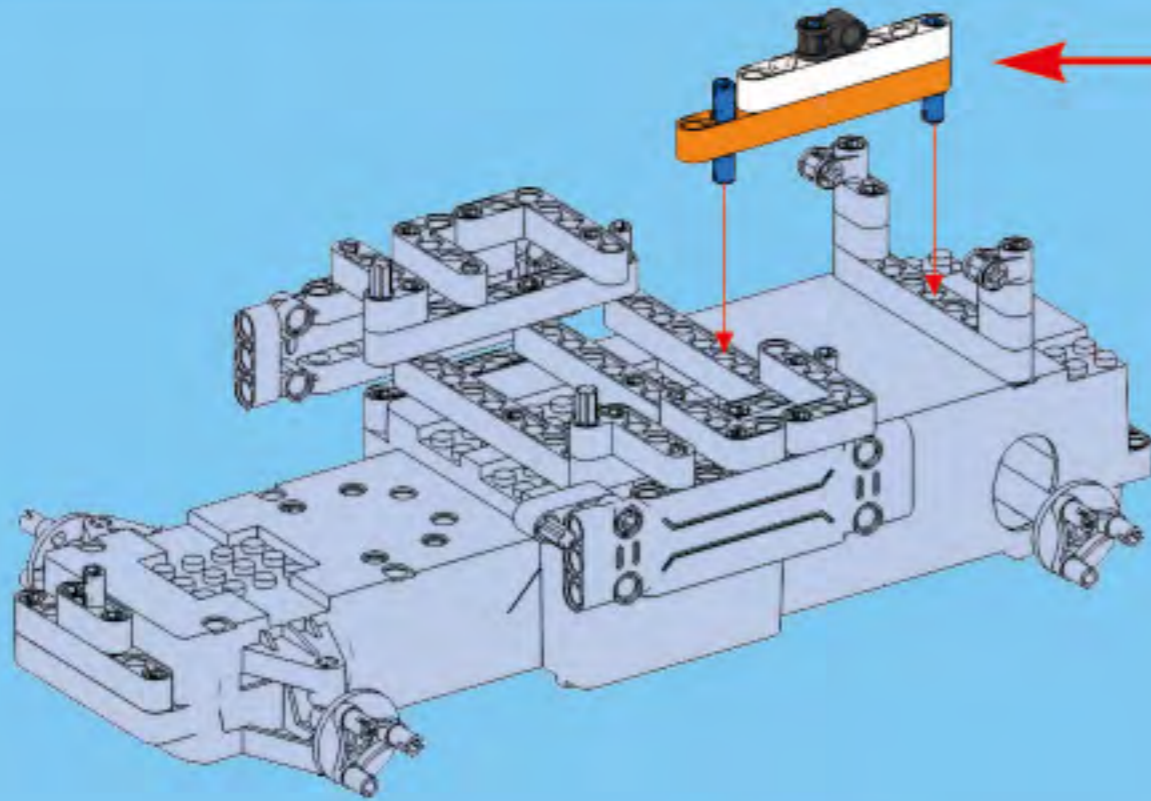


A8

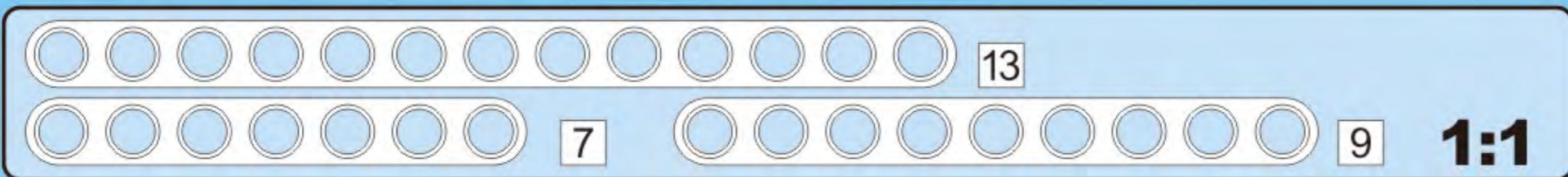
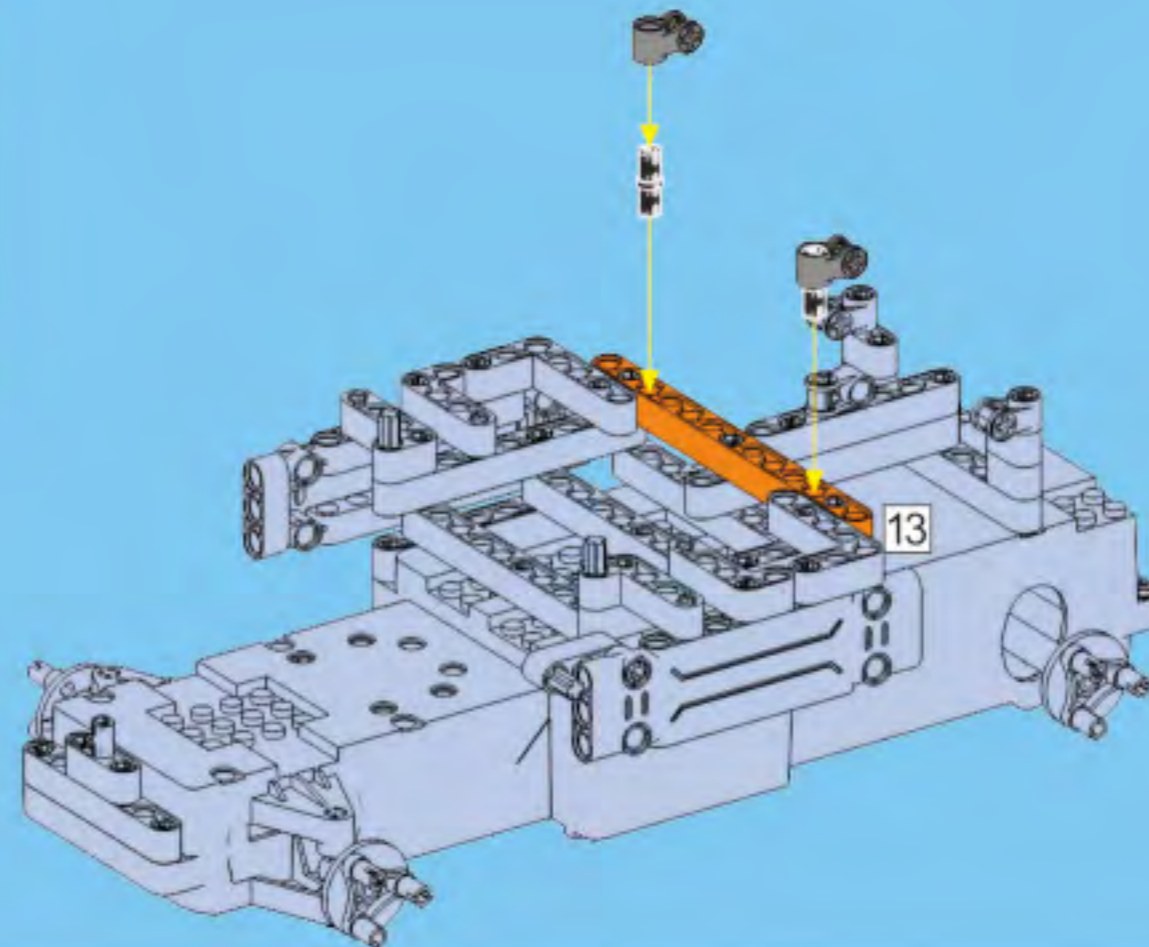




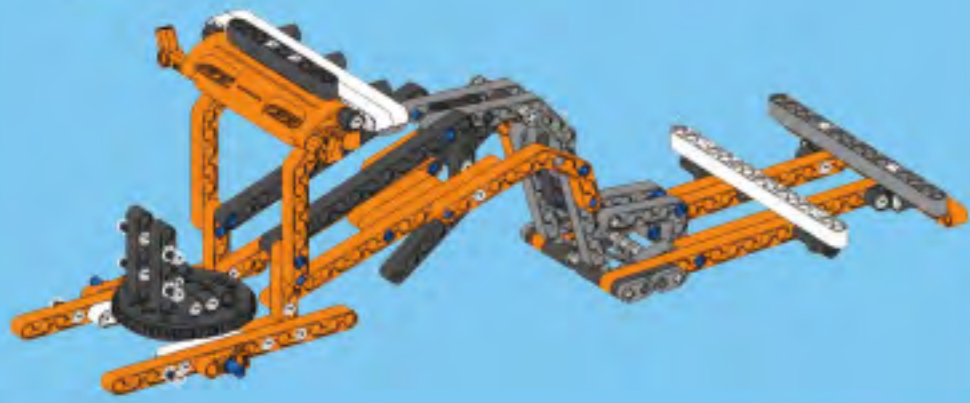
A9



A10



B



x5

x1

x3

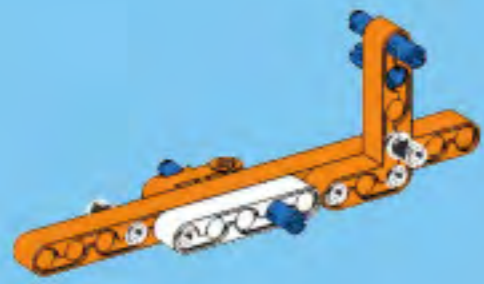
x1

x1

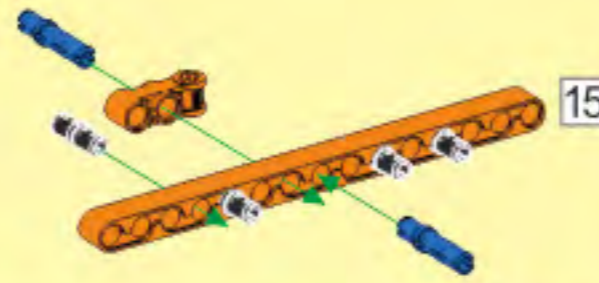
x1

x1

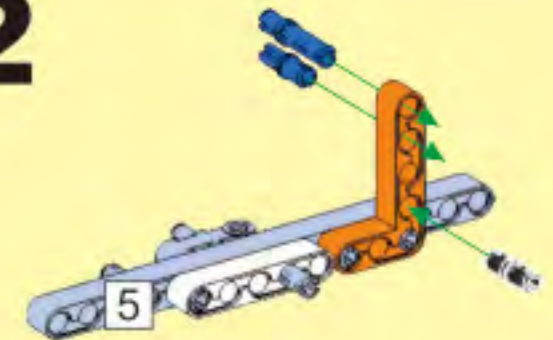
B1



1



2



x1



x1

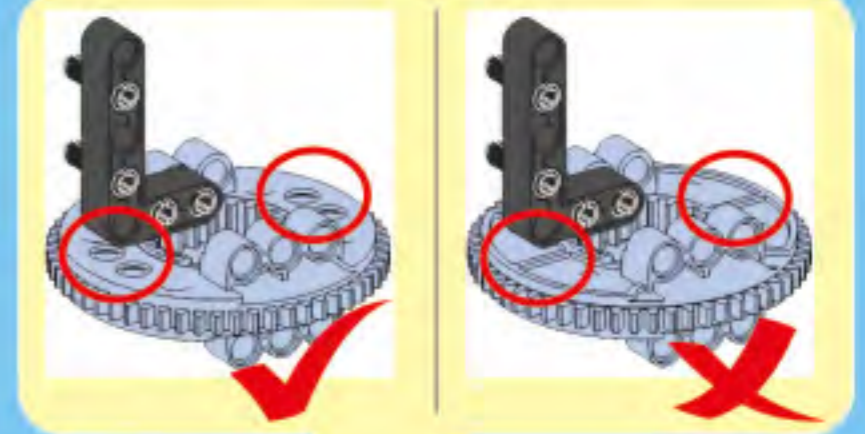
B2



x4

x1

B3



5

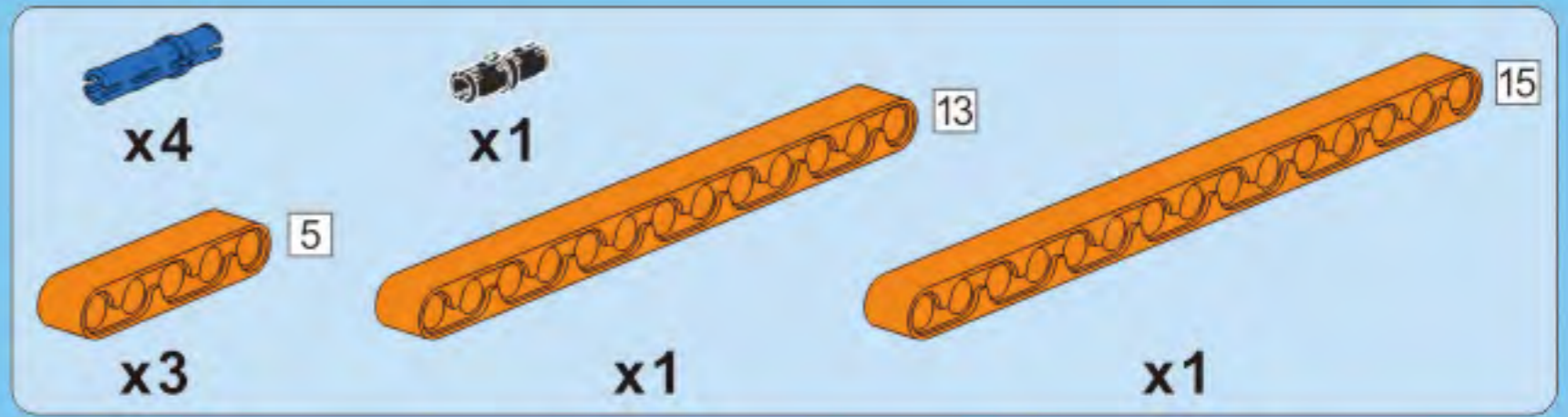
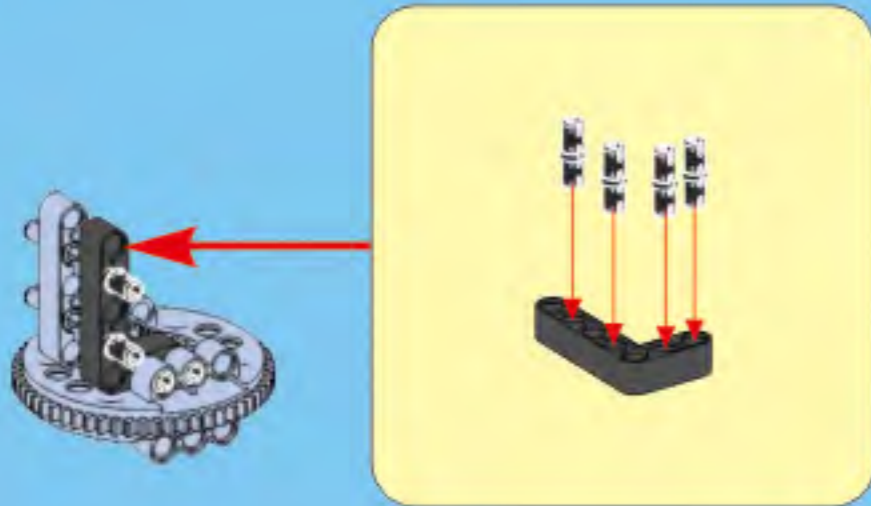


15

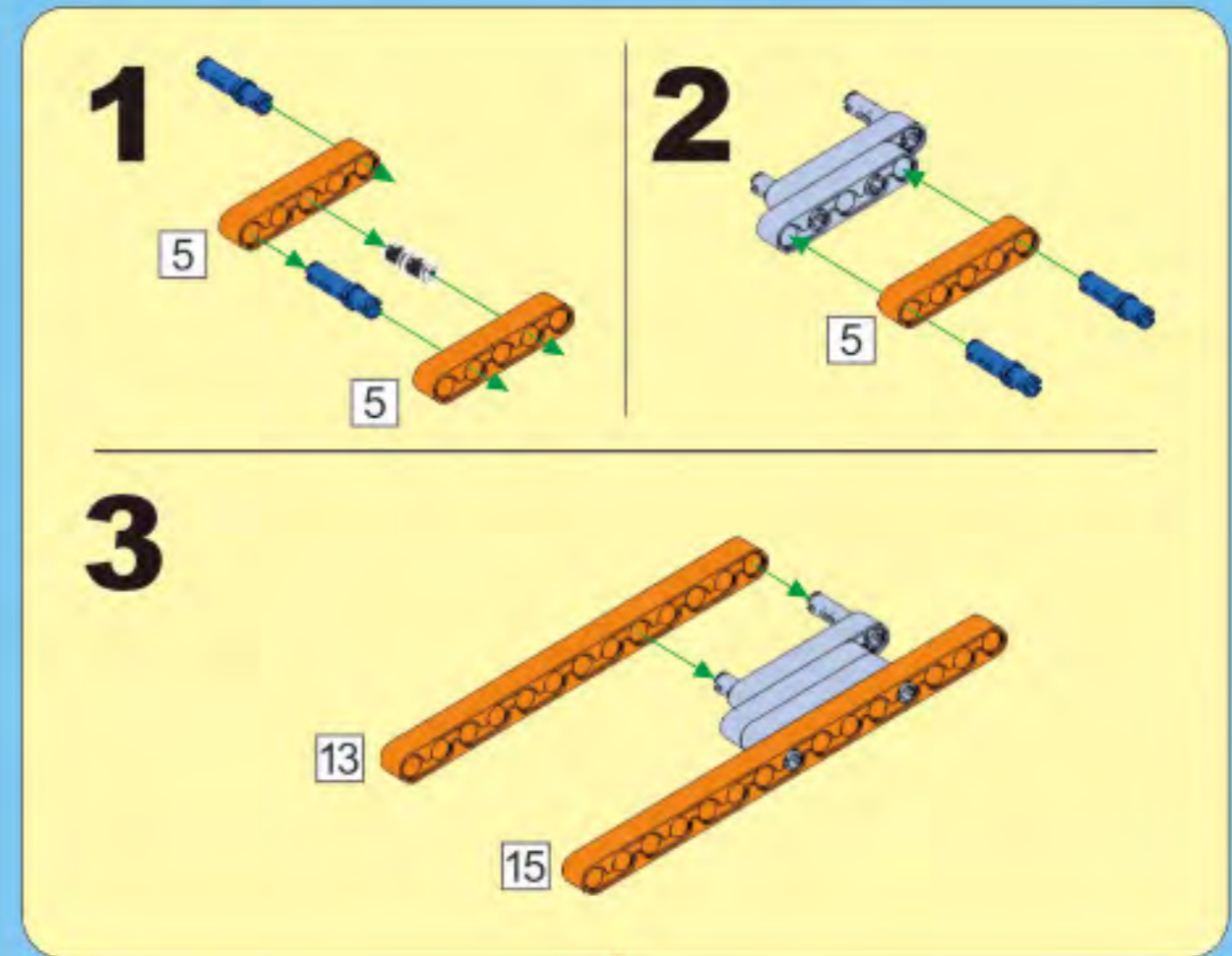
1:1



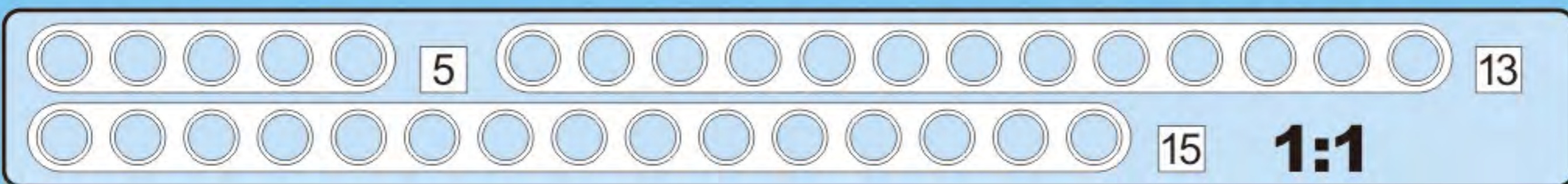
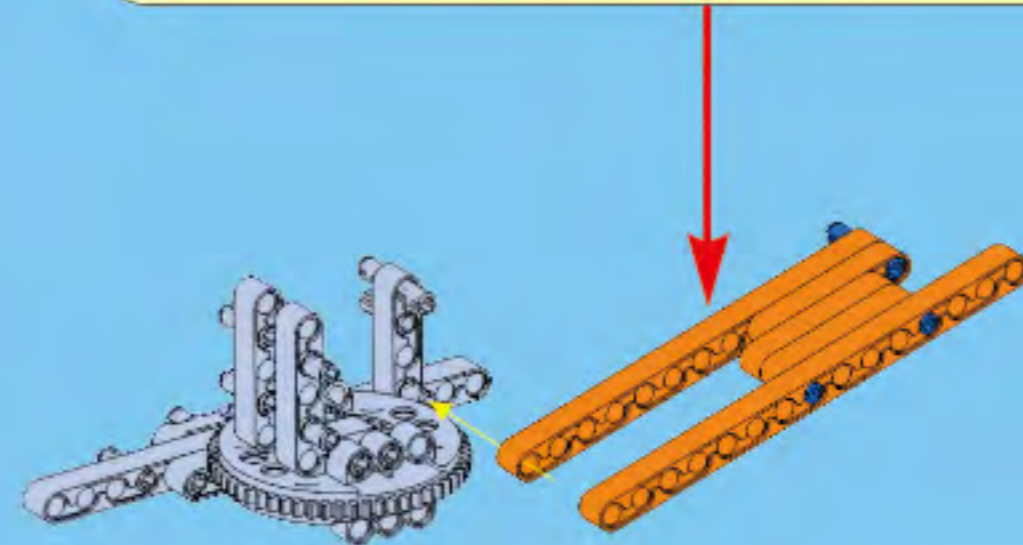
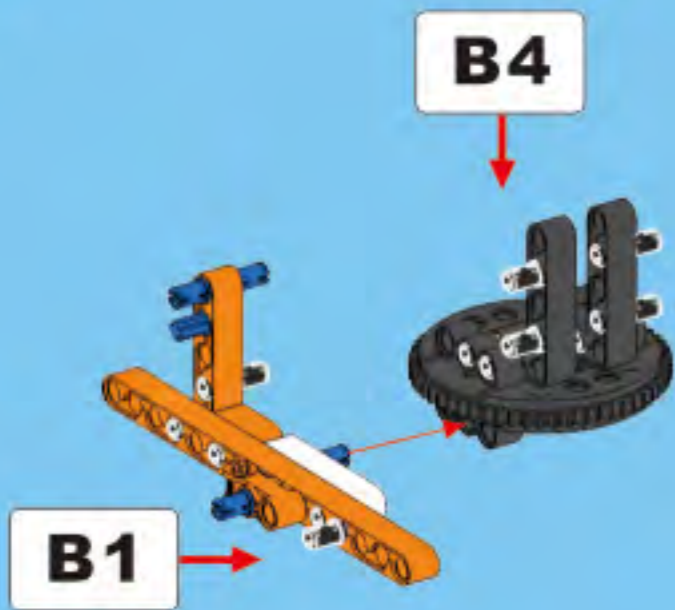
B4

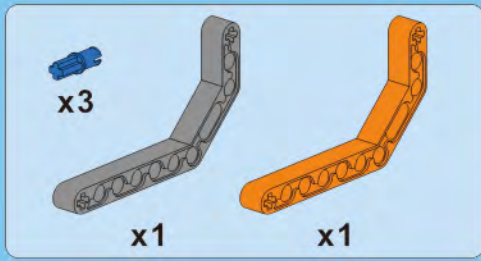


B6

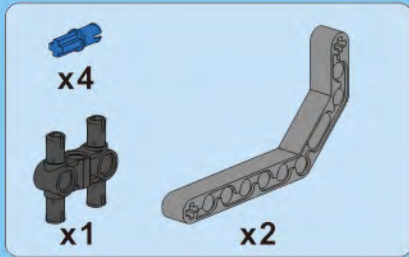
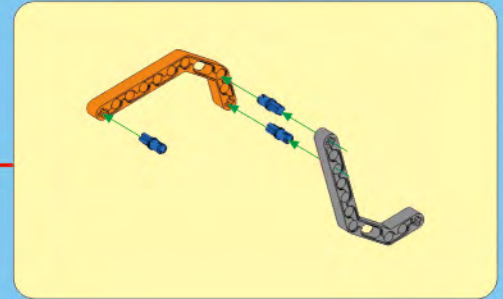
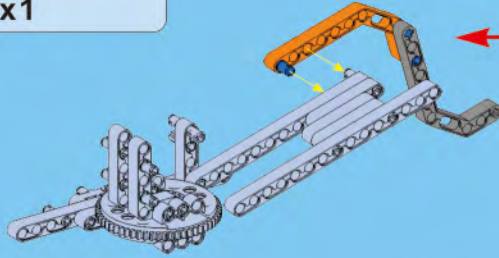


B5

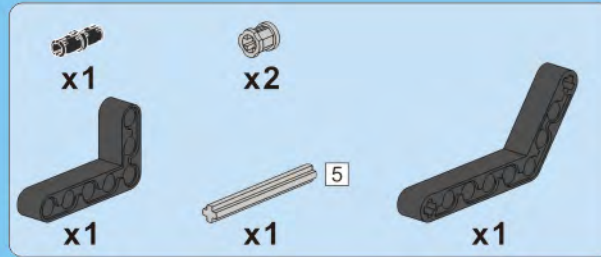
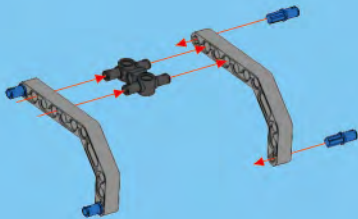




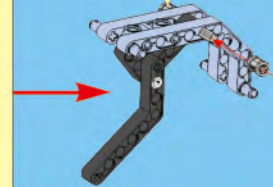
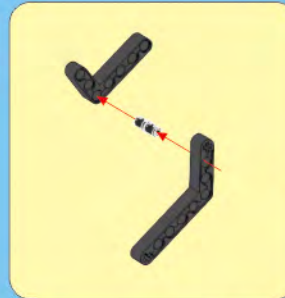
B7

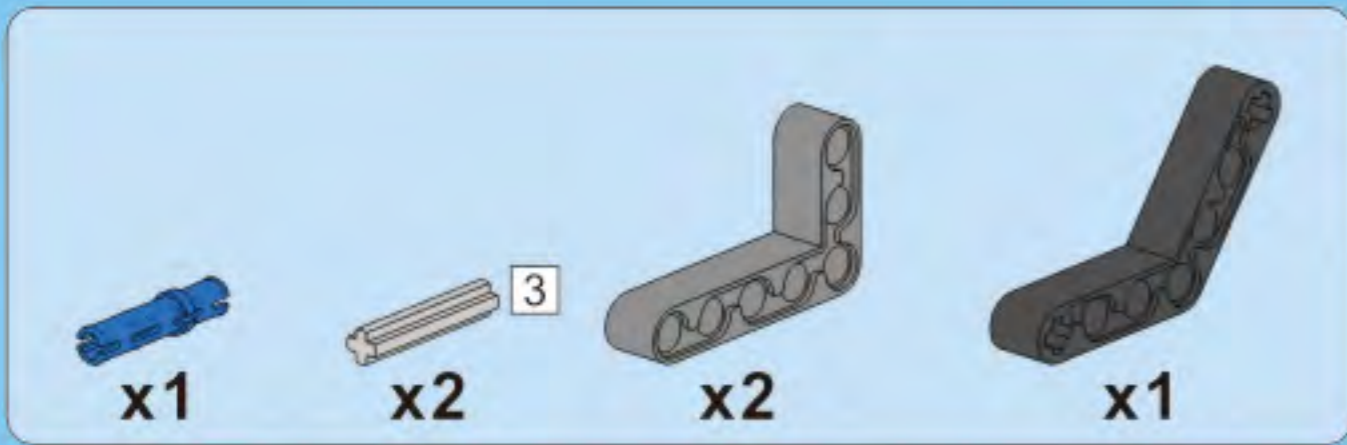


B8

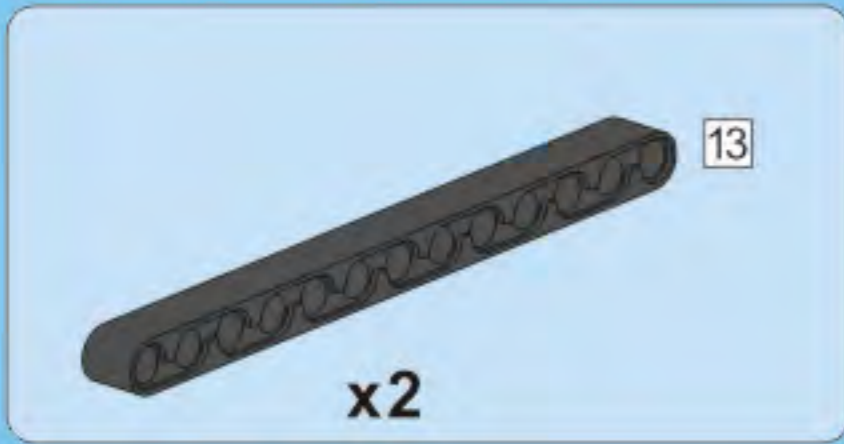
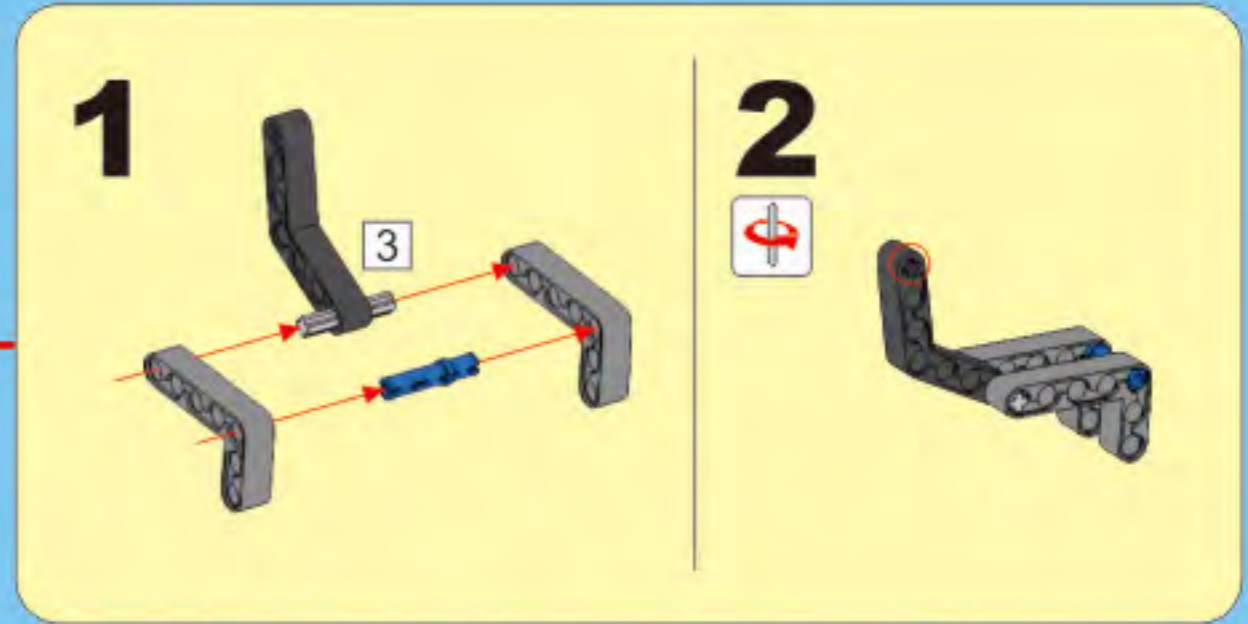
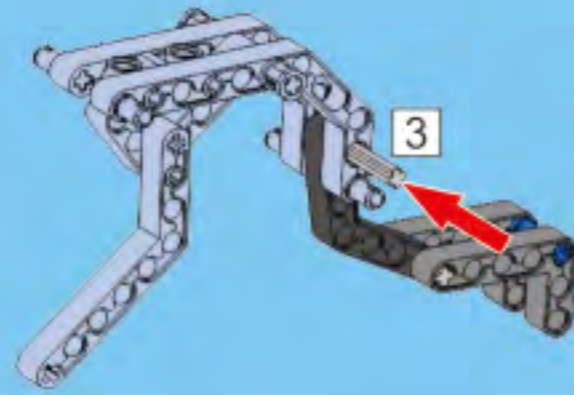


B9

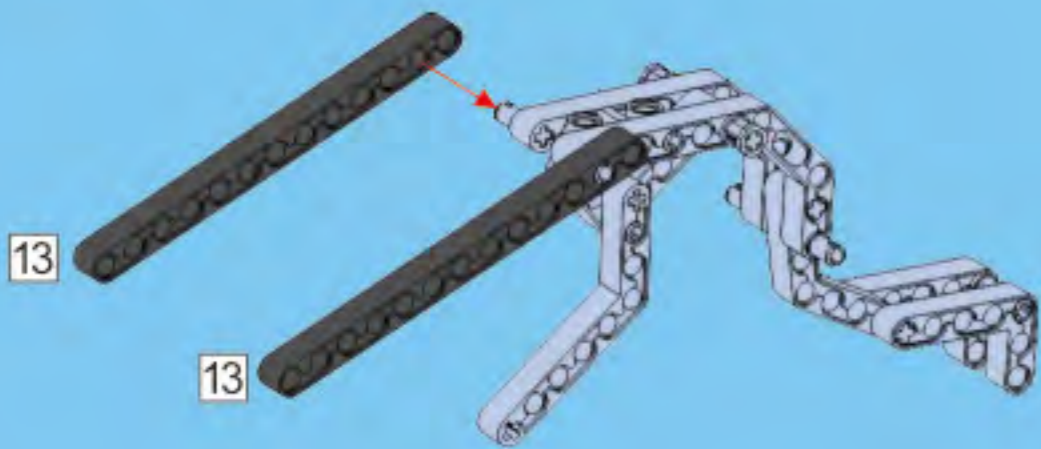




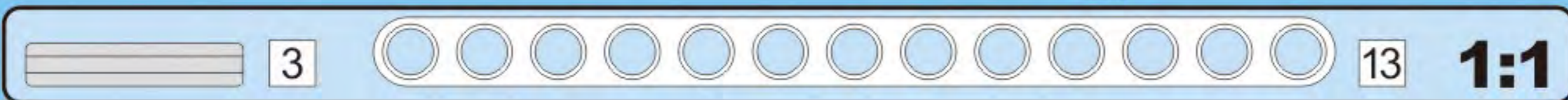
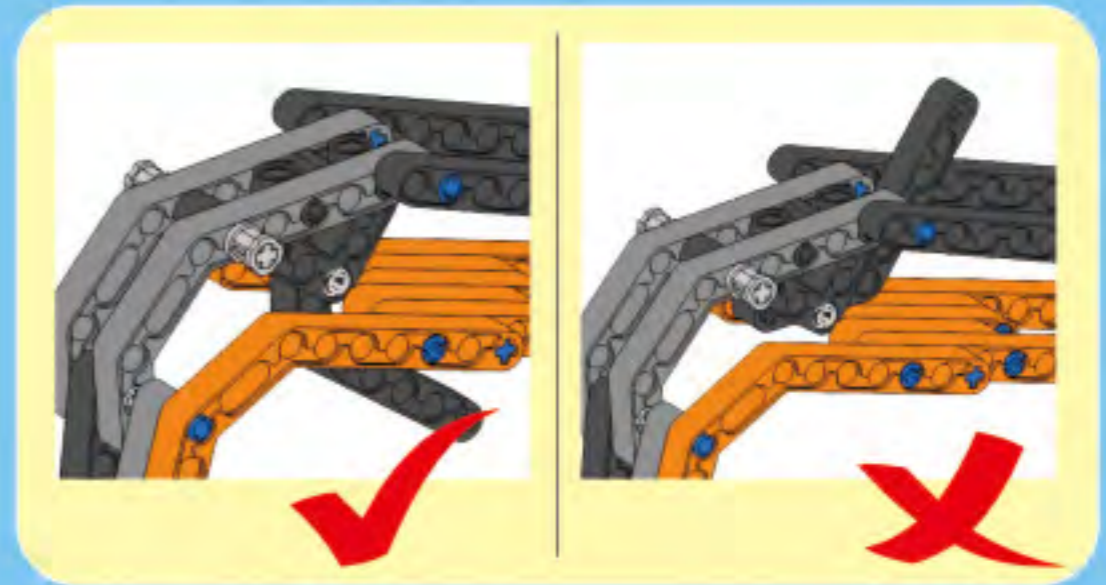
B10

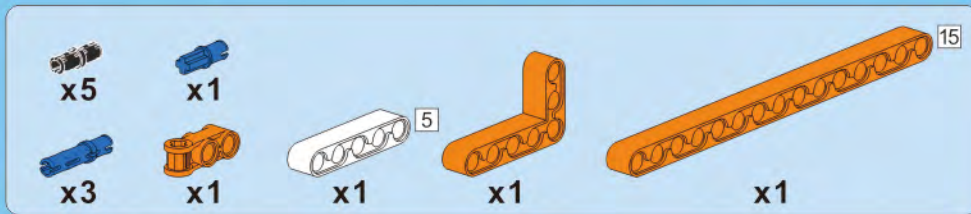


B11

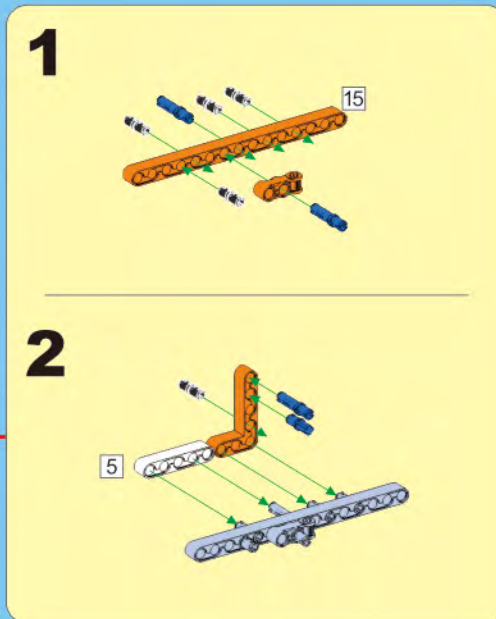
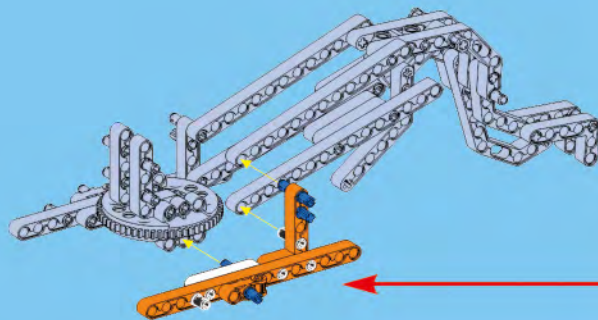


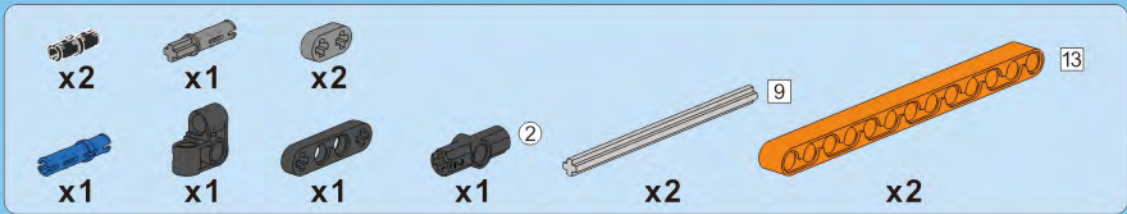
B12



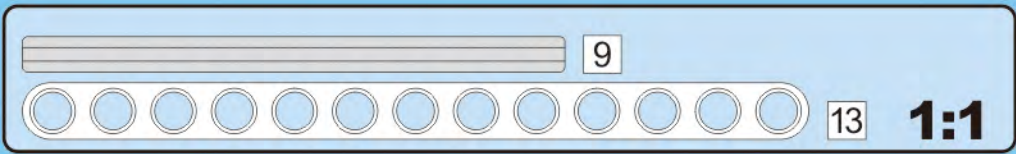
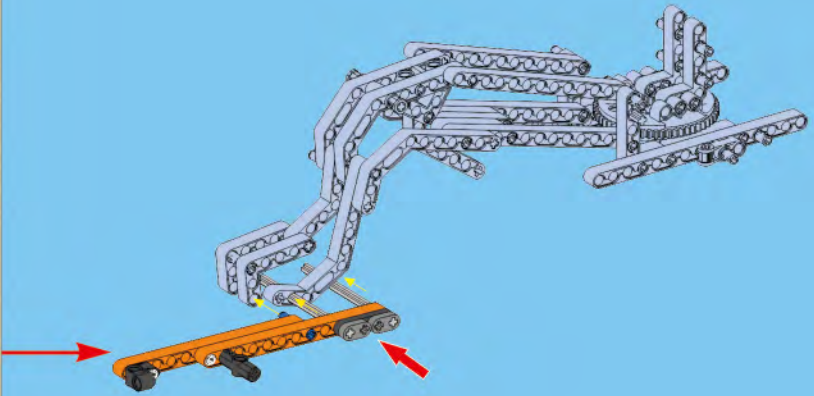
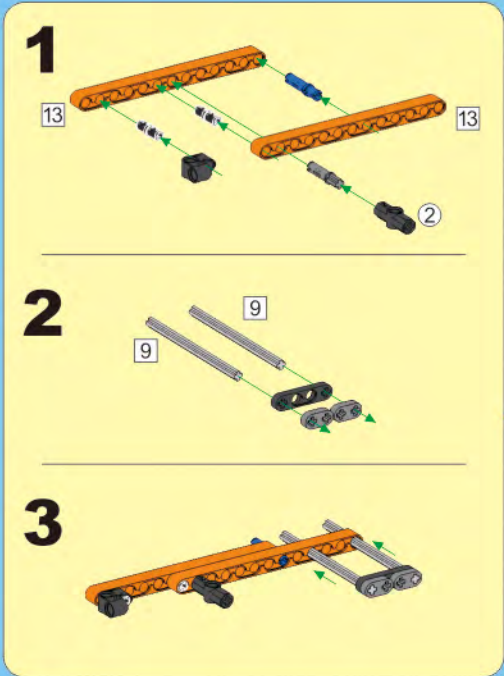


B13



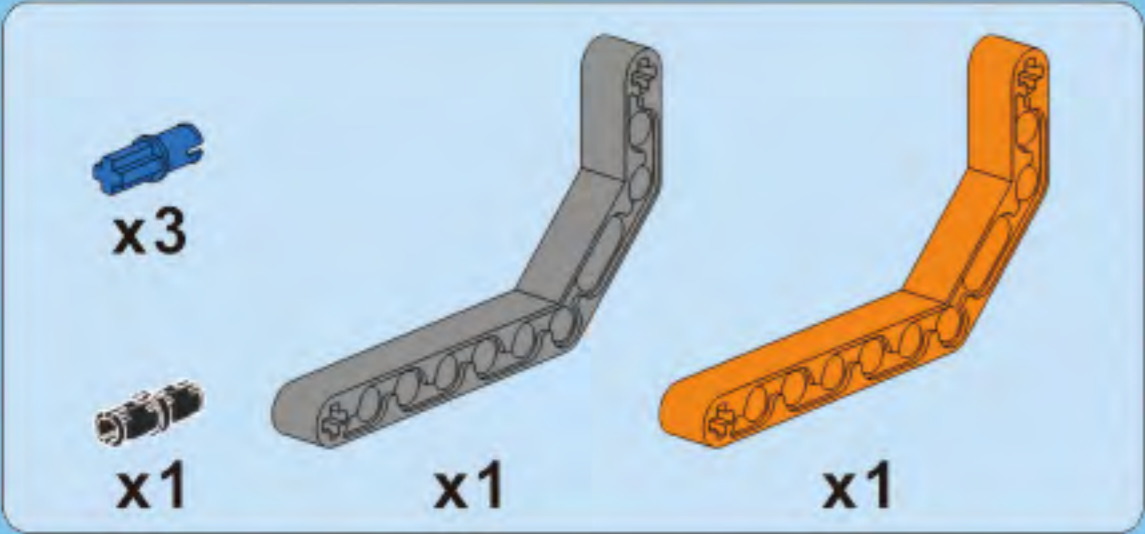
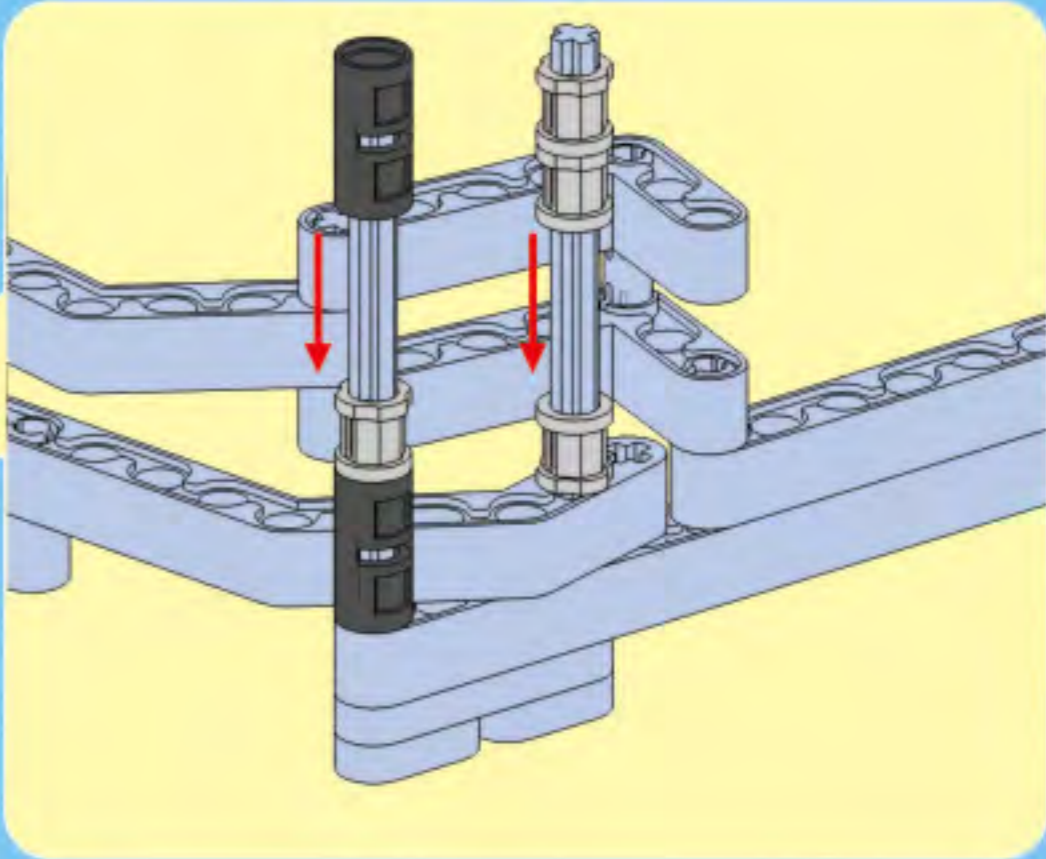
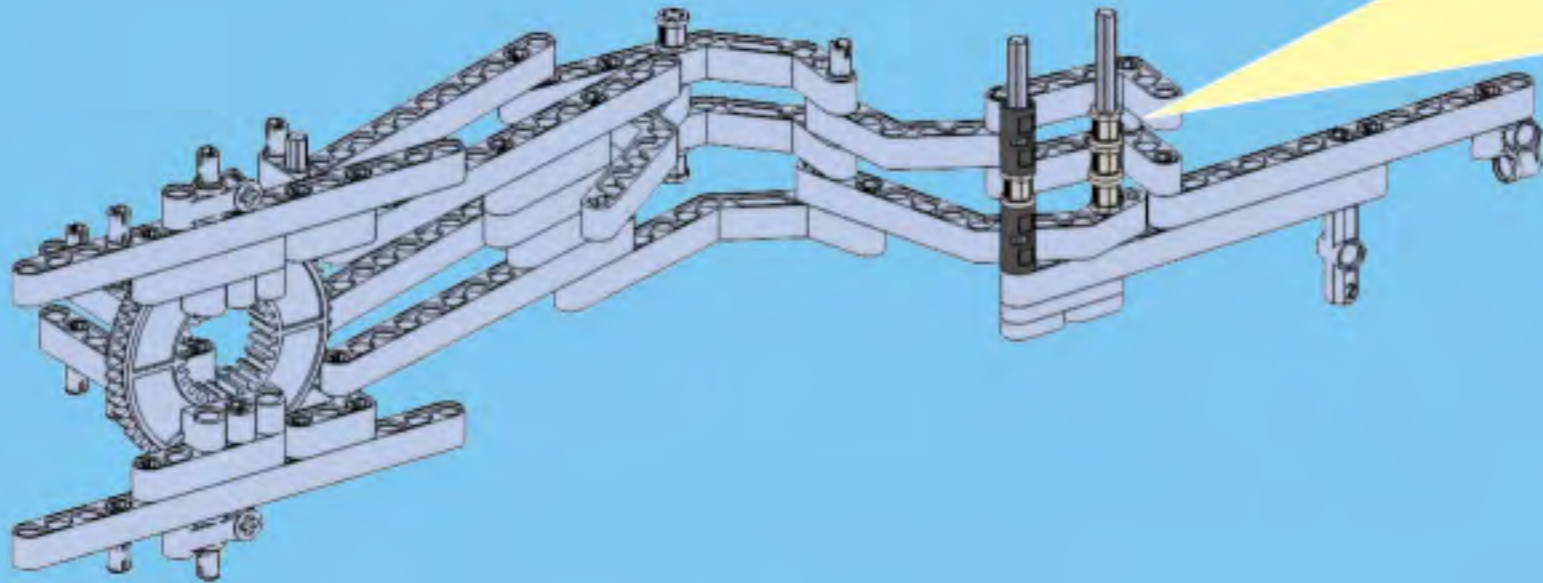


B14

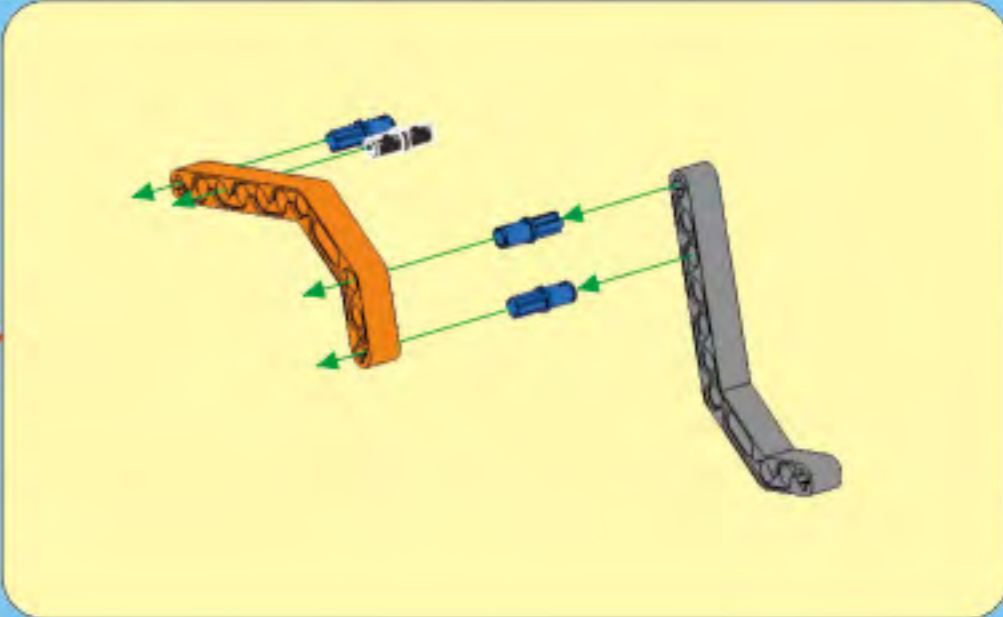
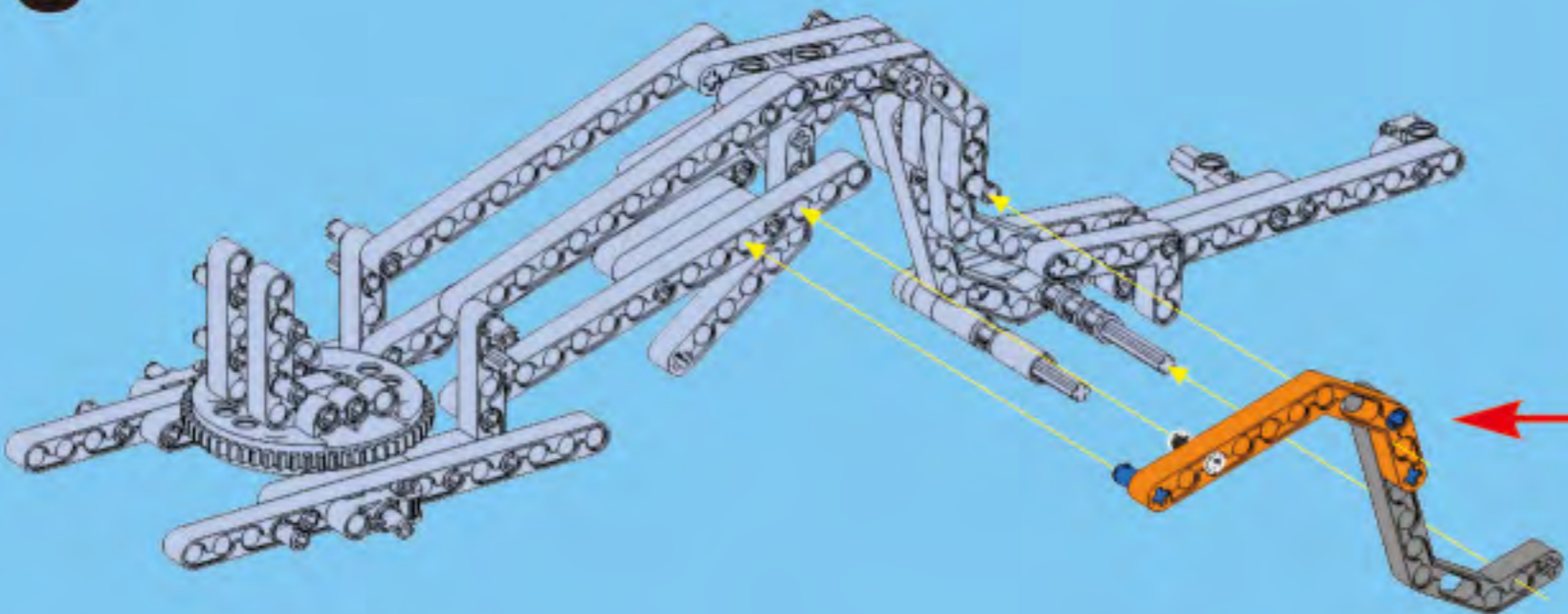


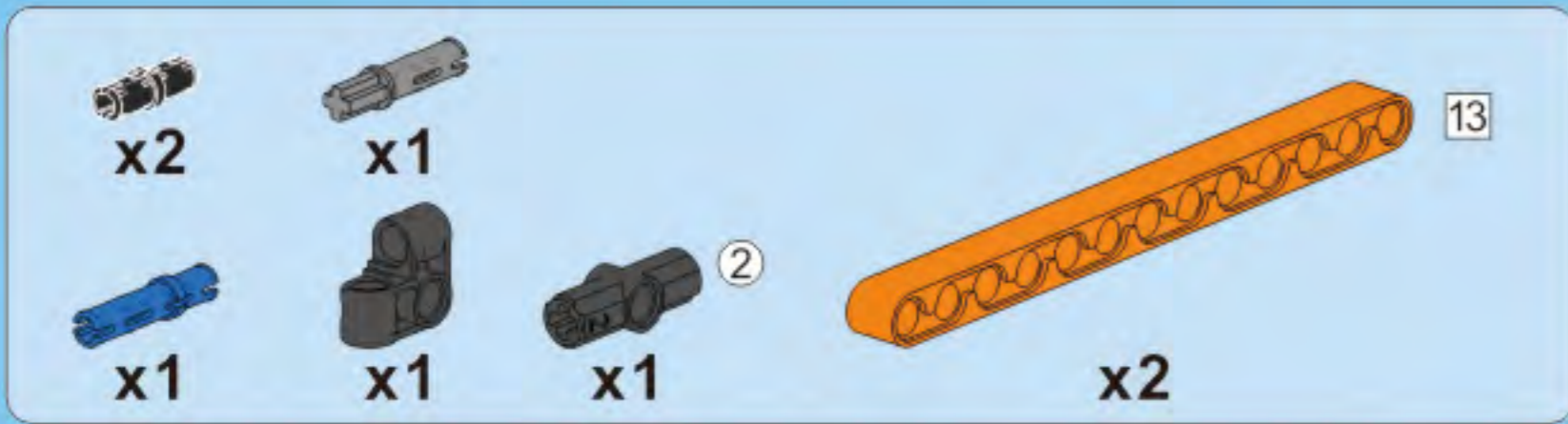


B15

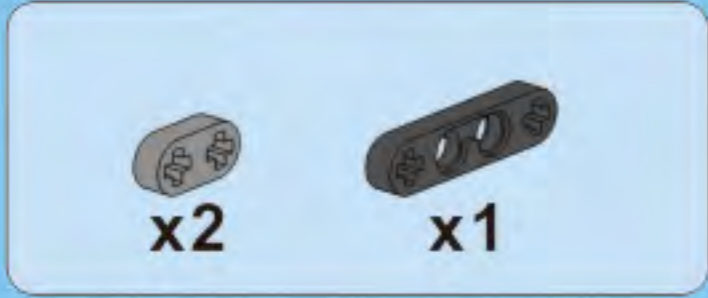
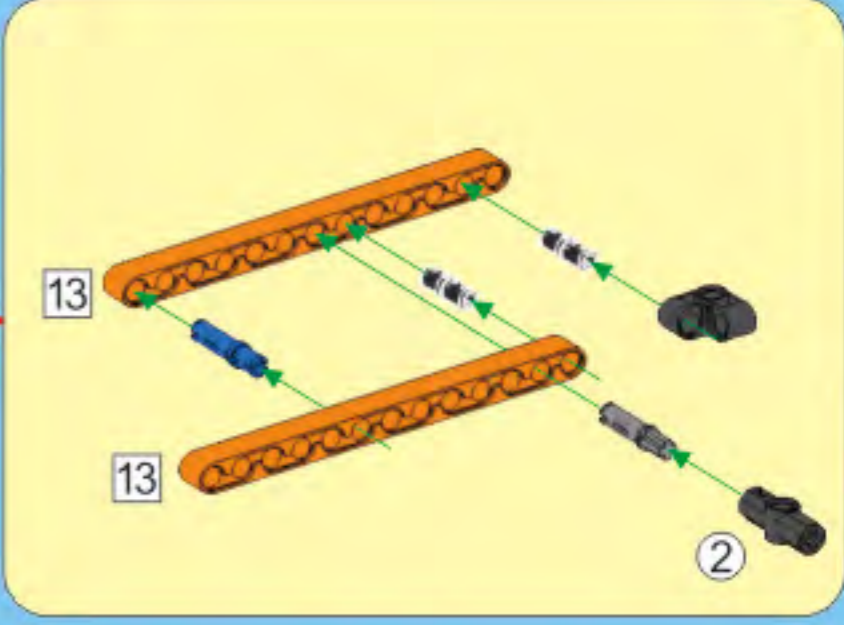
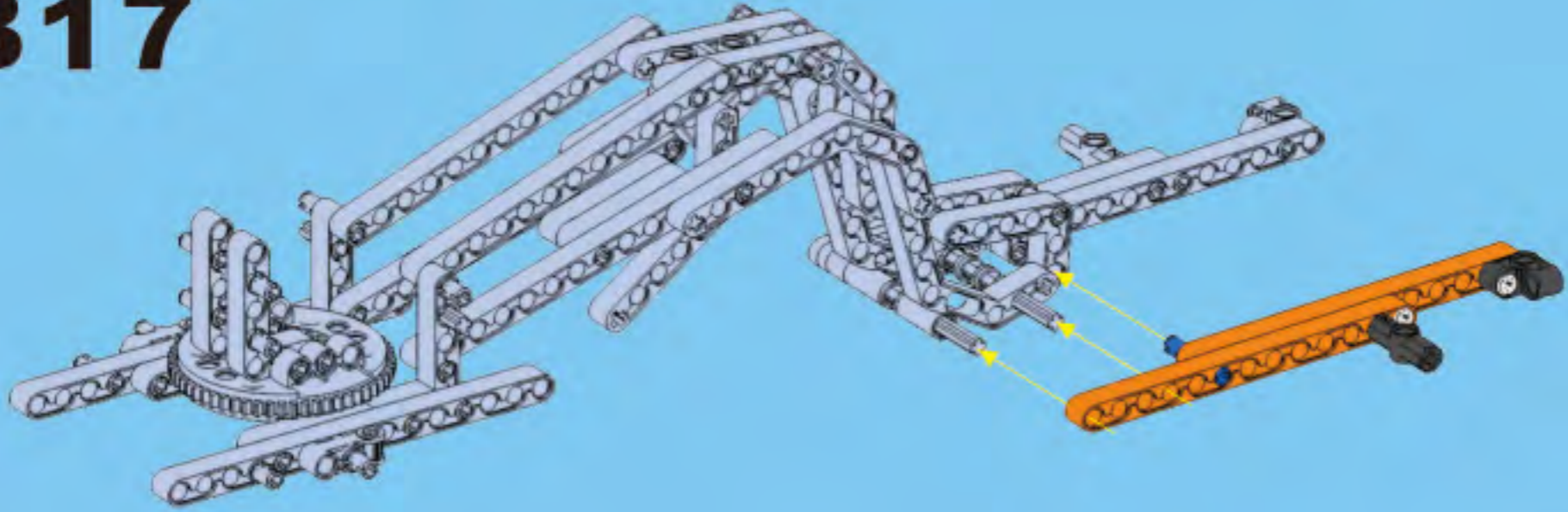


B16

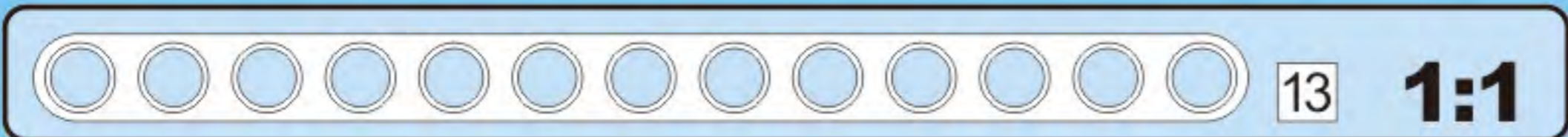
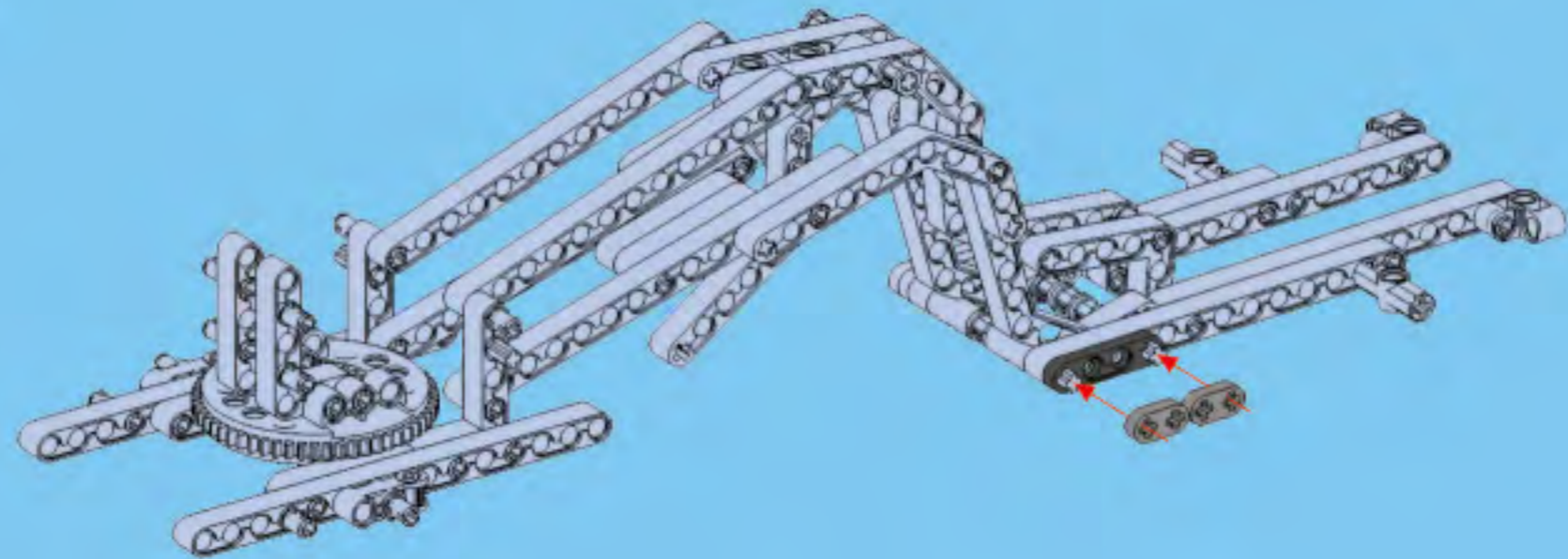


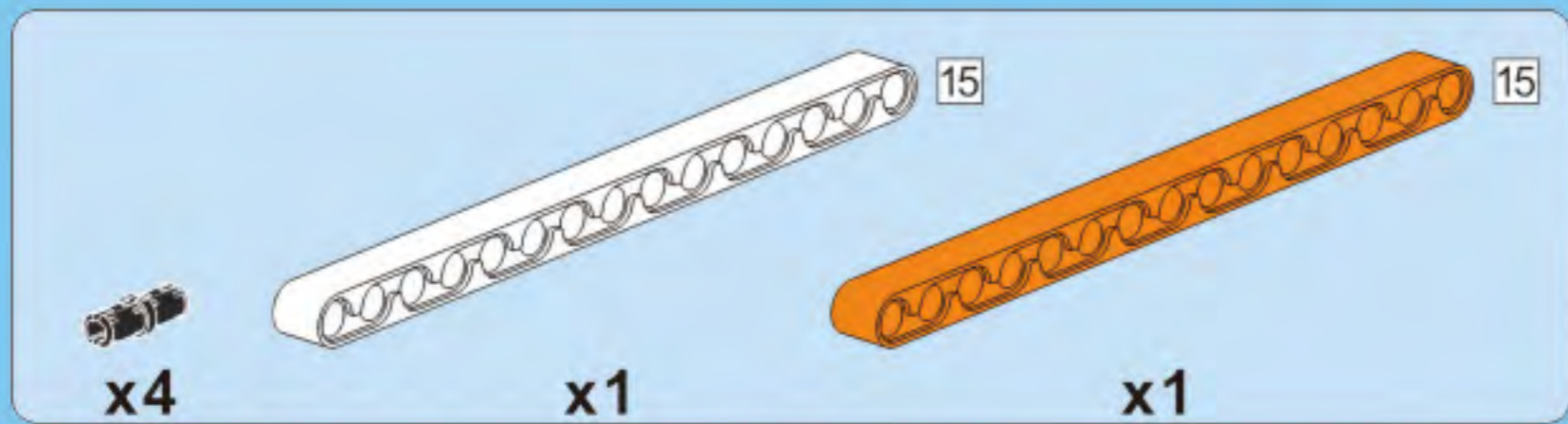


B17

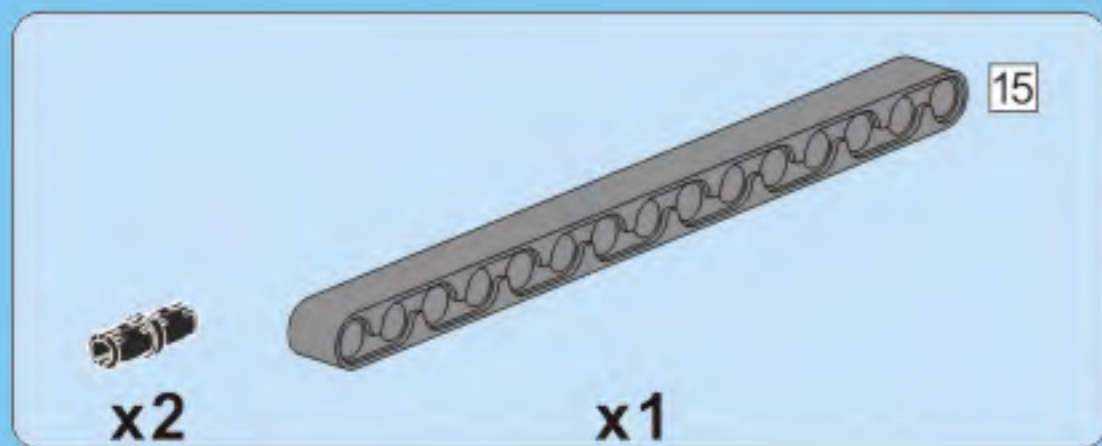


B18

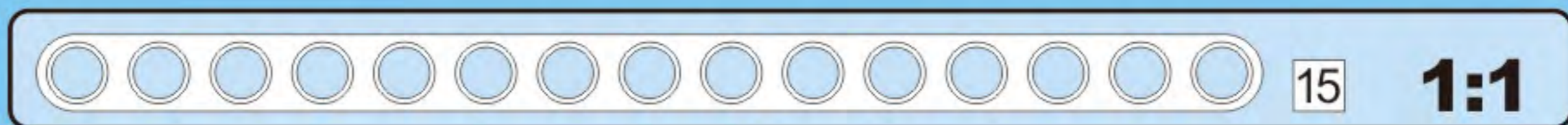
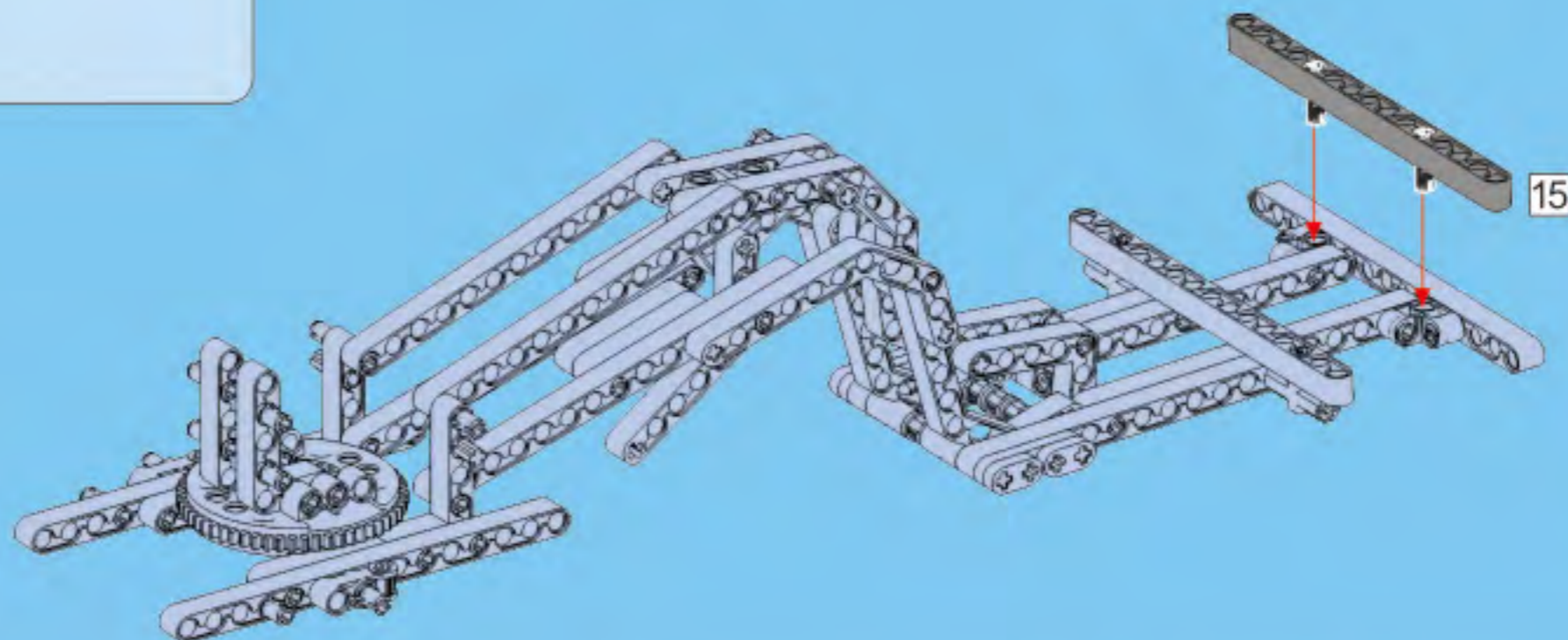




B19

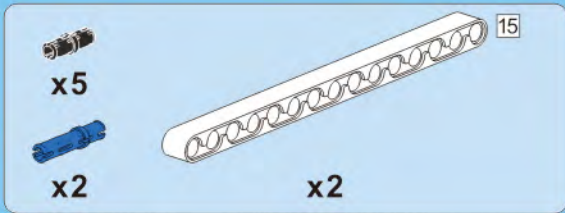
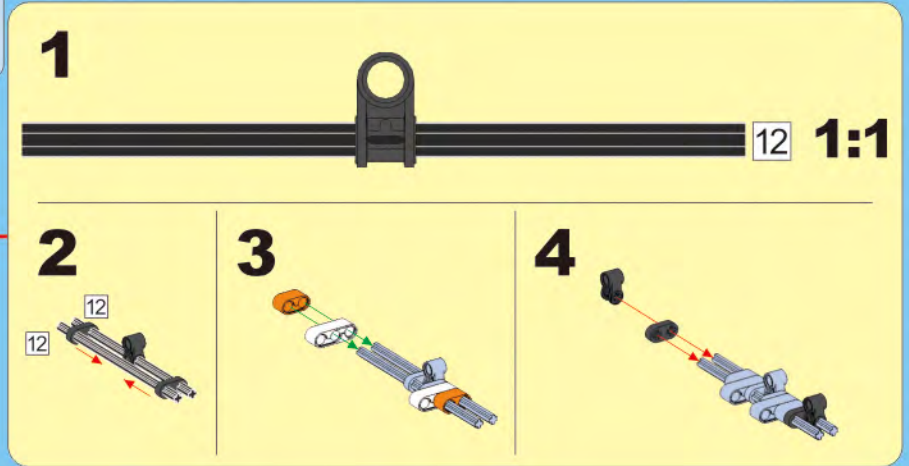


B20

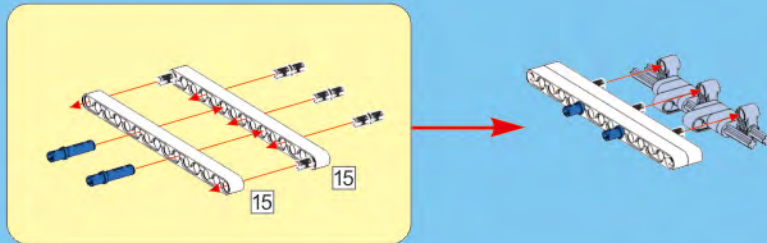


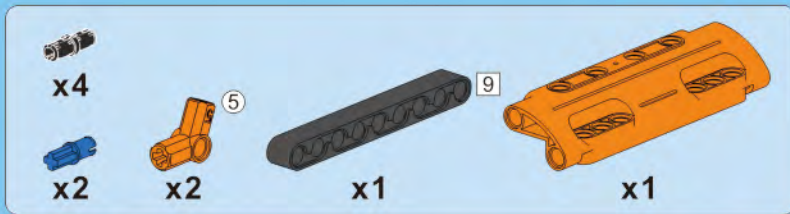


B21

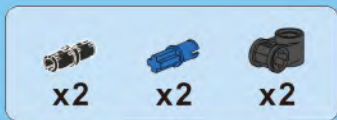
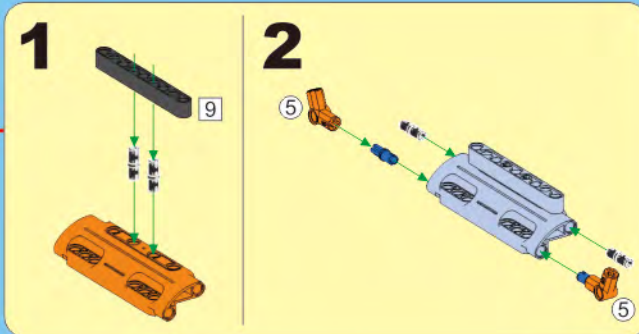
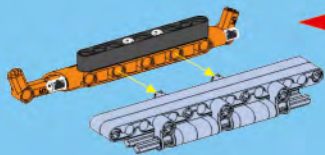


B22

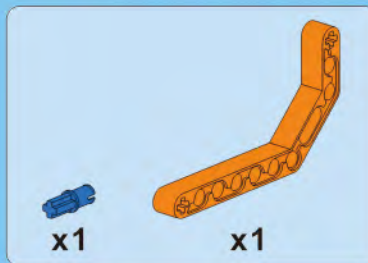
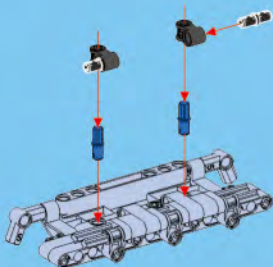




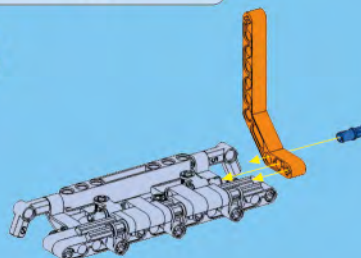
B23



B24

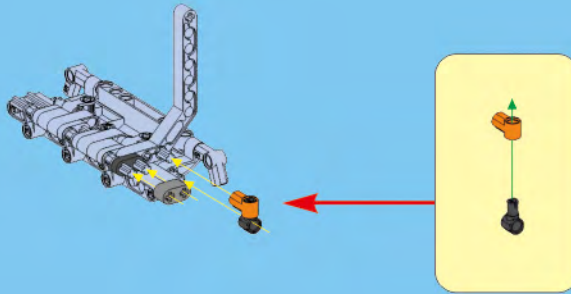


B25

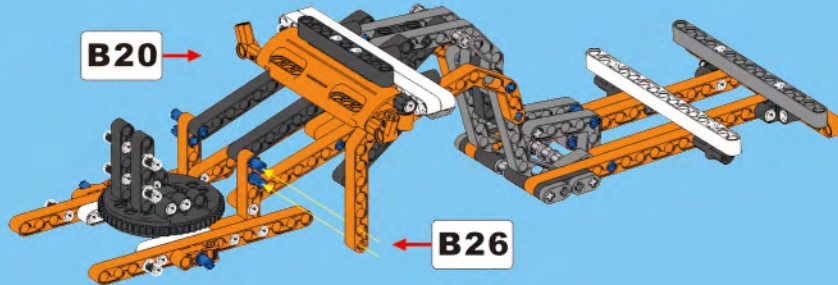


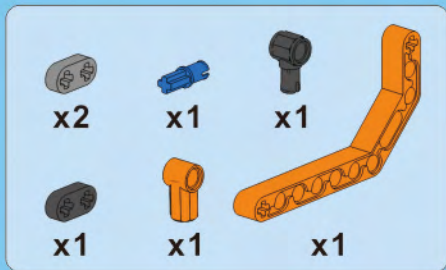


B26

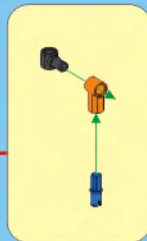
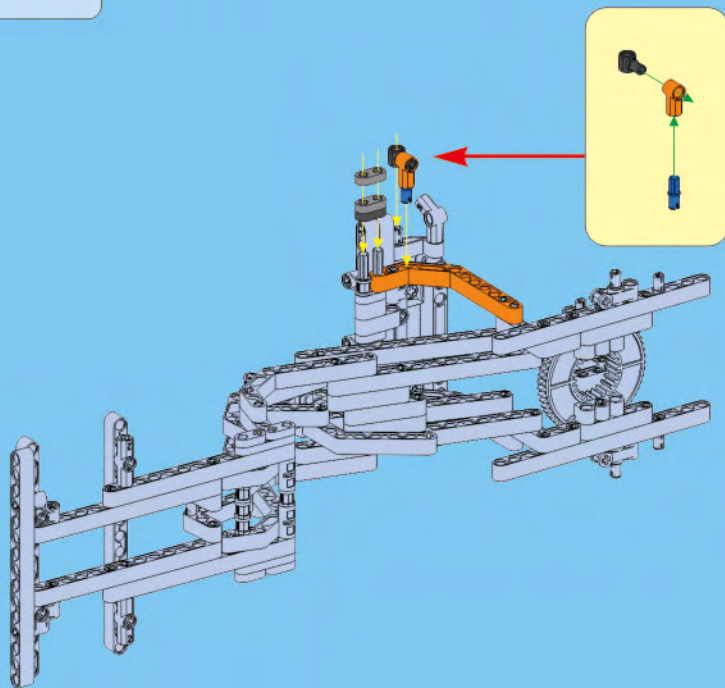


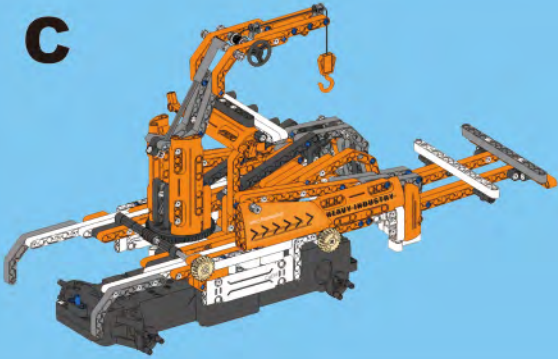
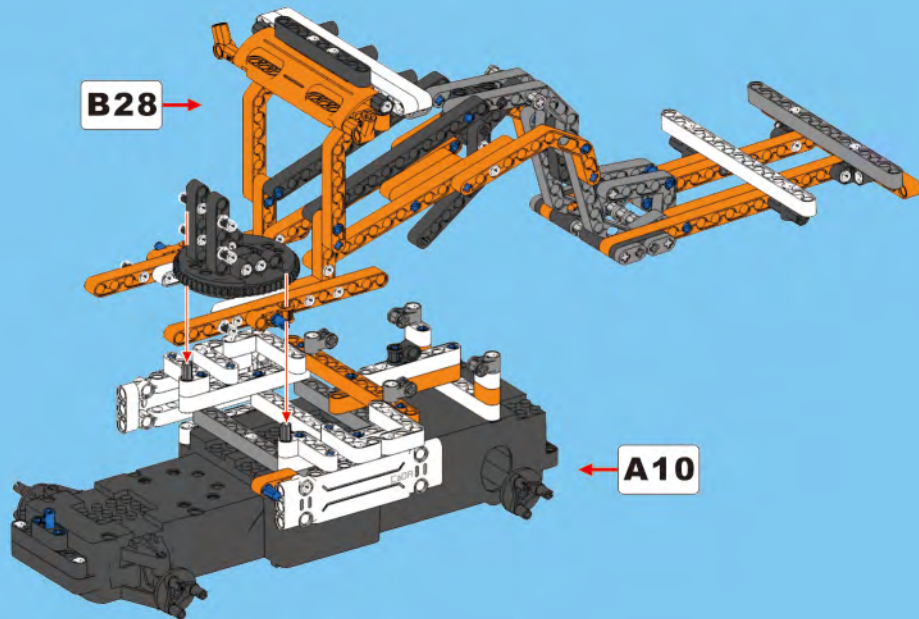
B27





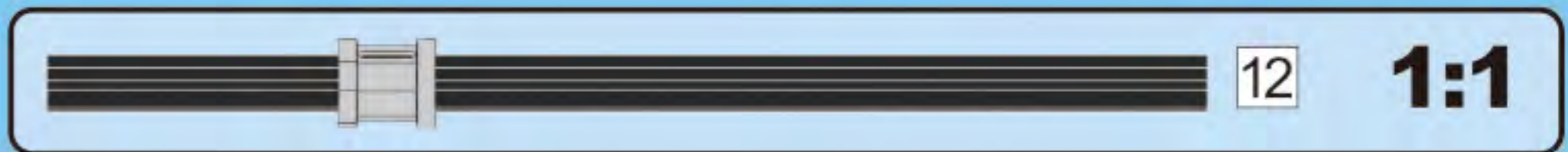
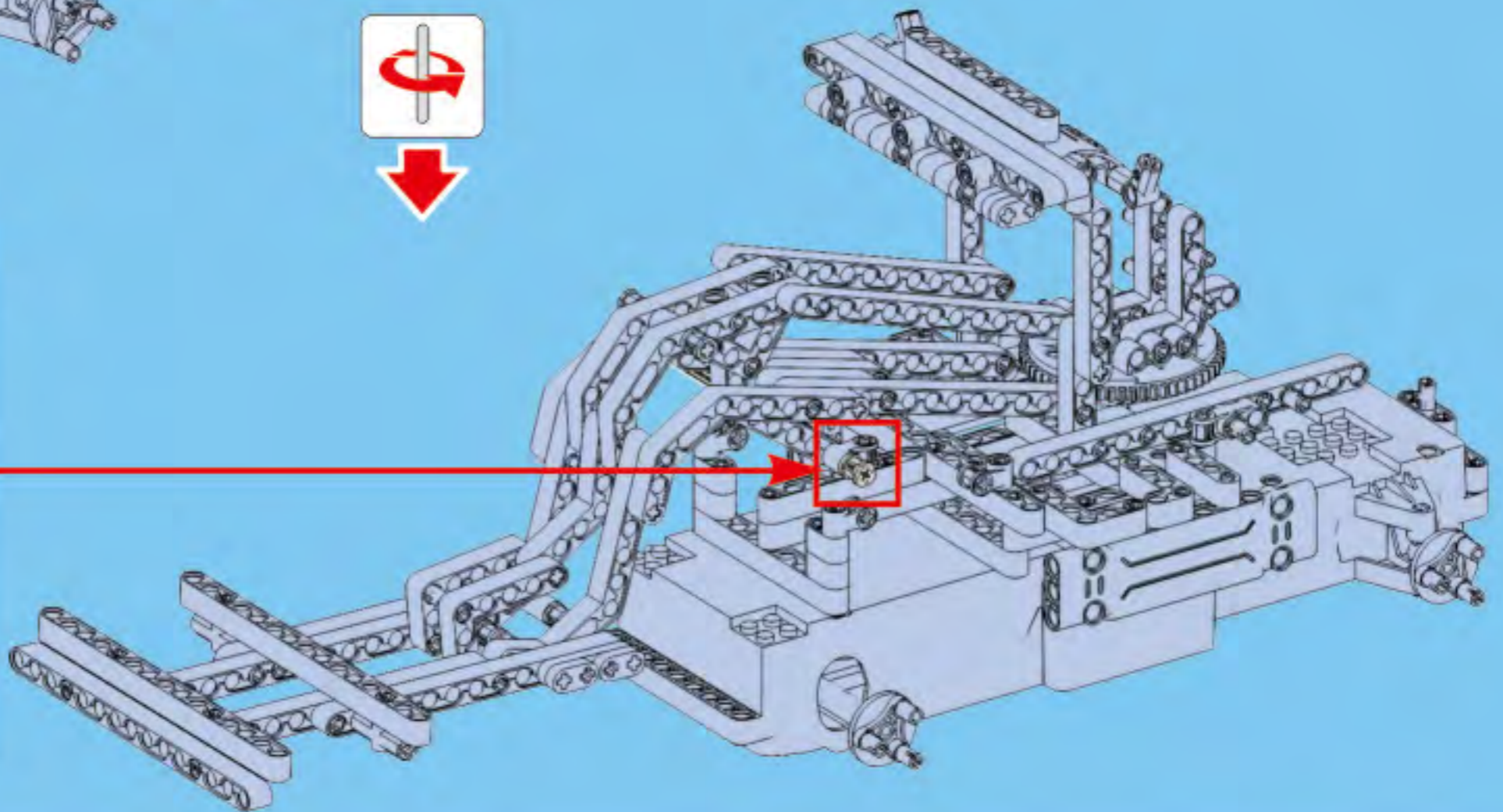
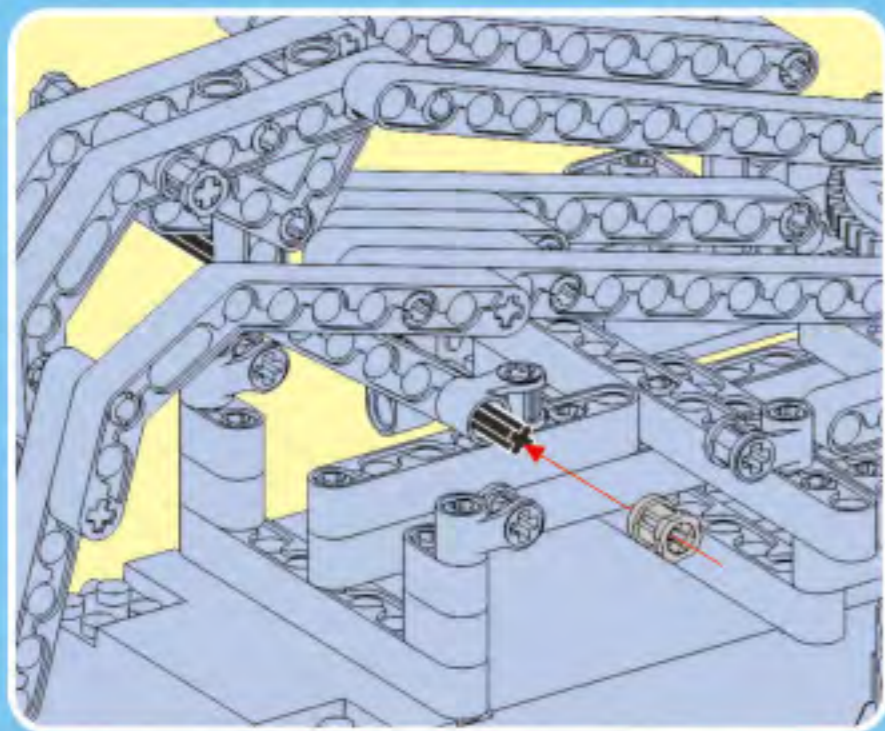
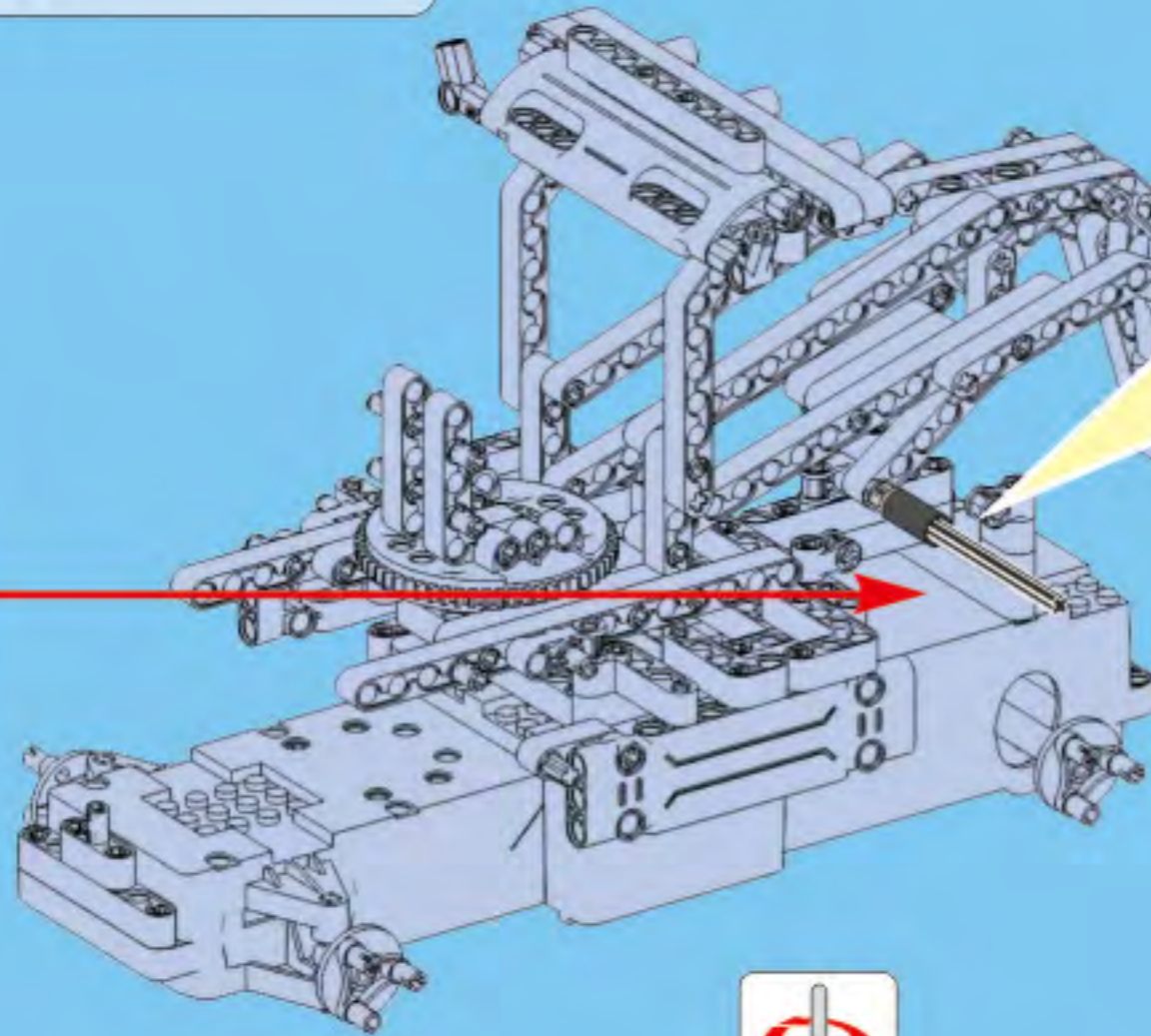
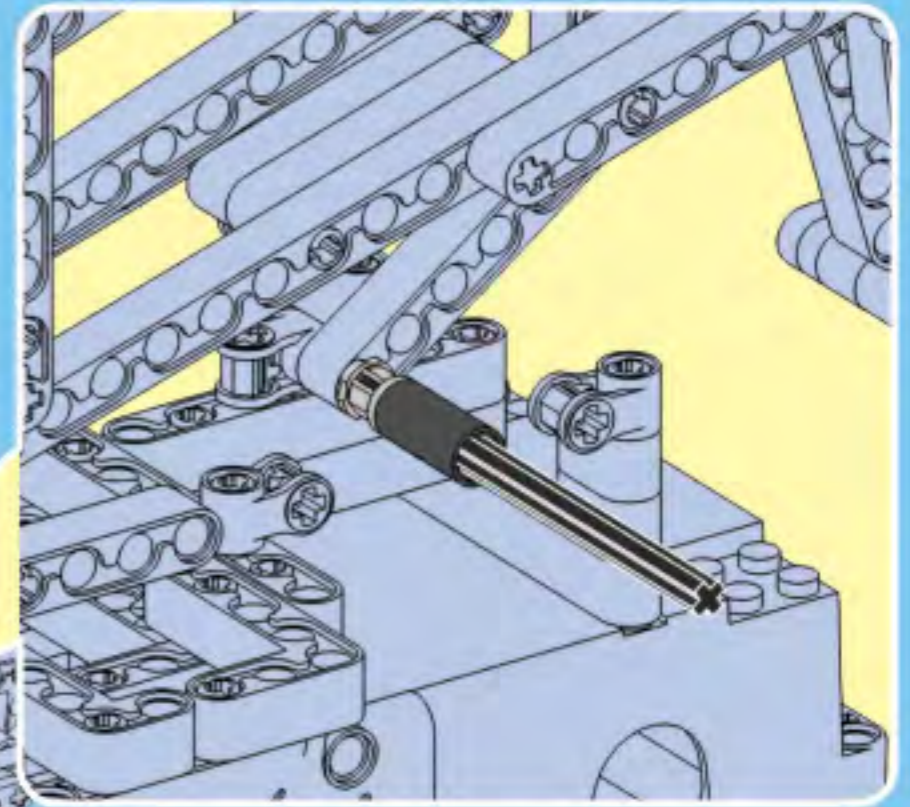
B28

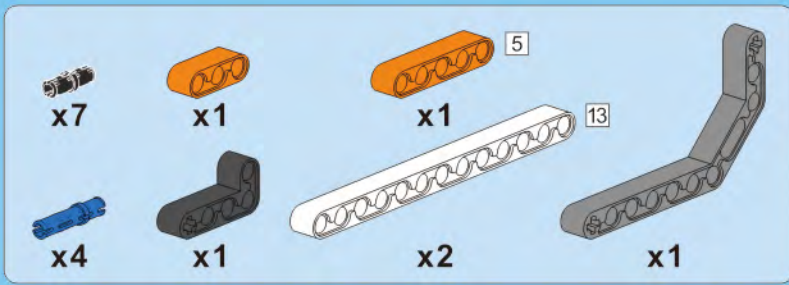


C**C1**

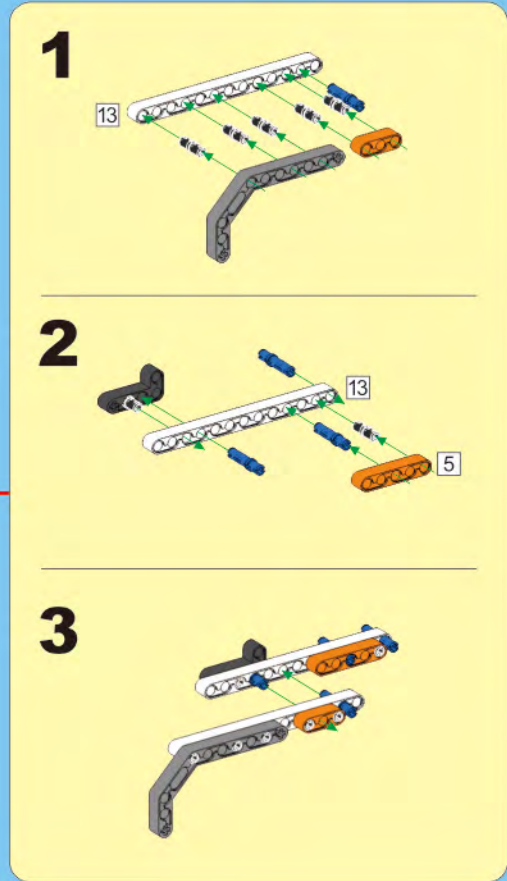
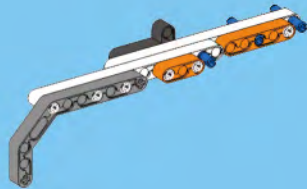


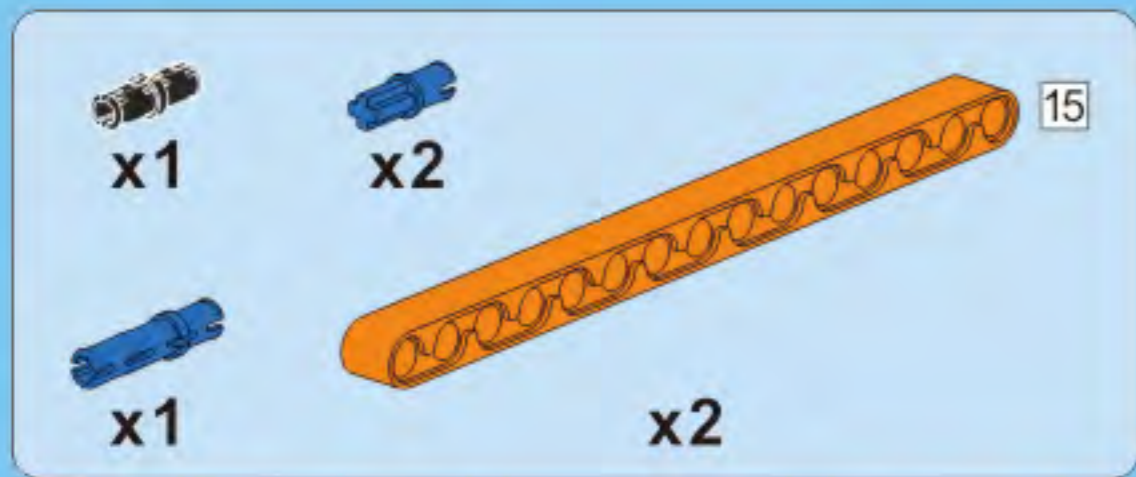
C2



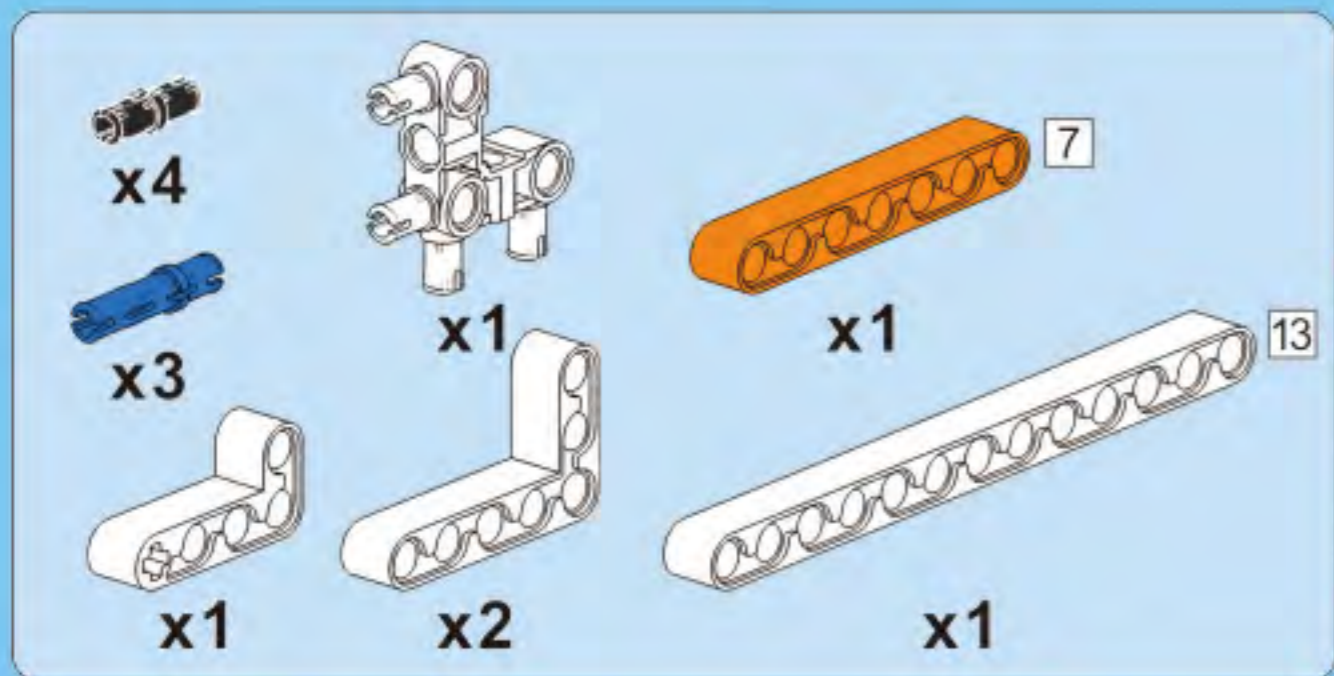
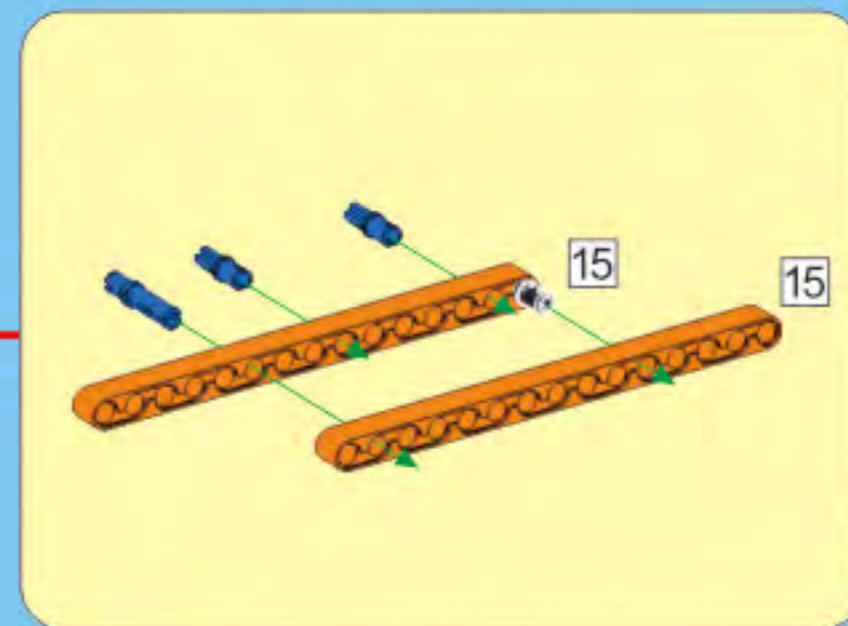
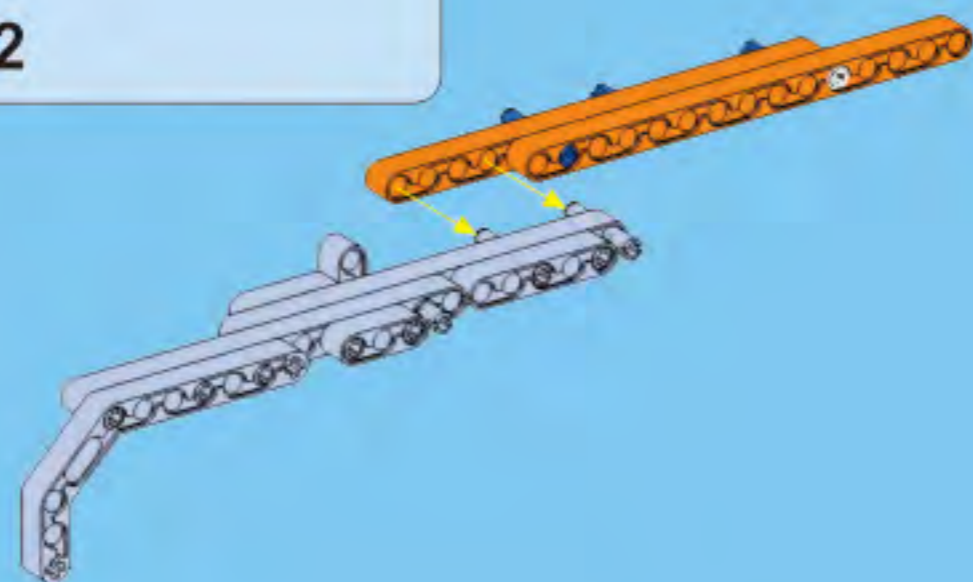


C3

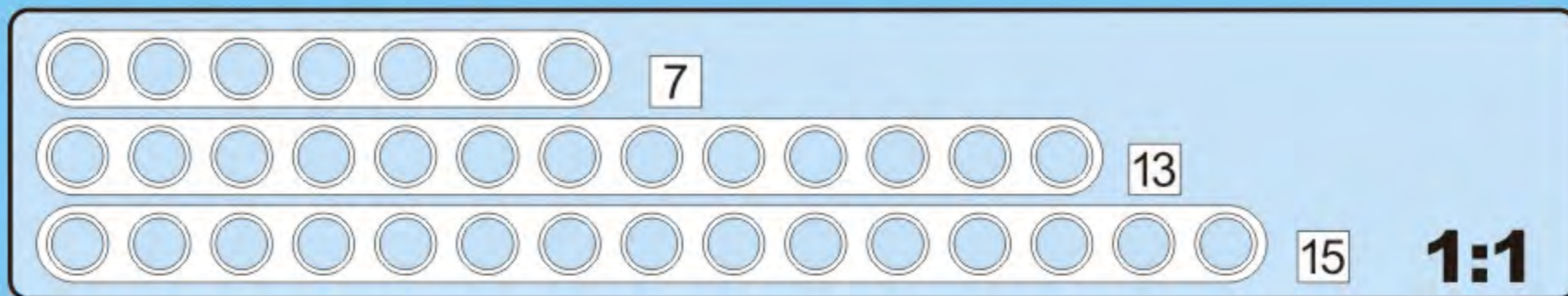
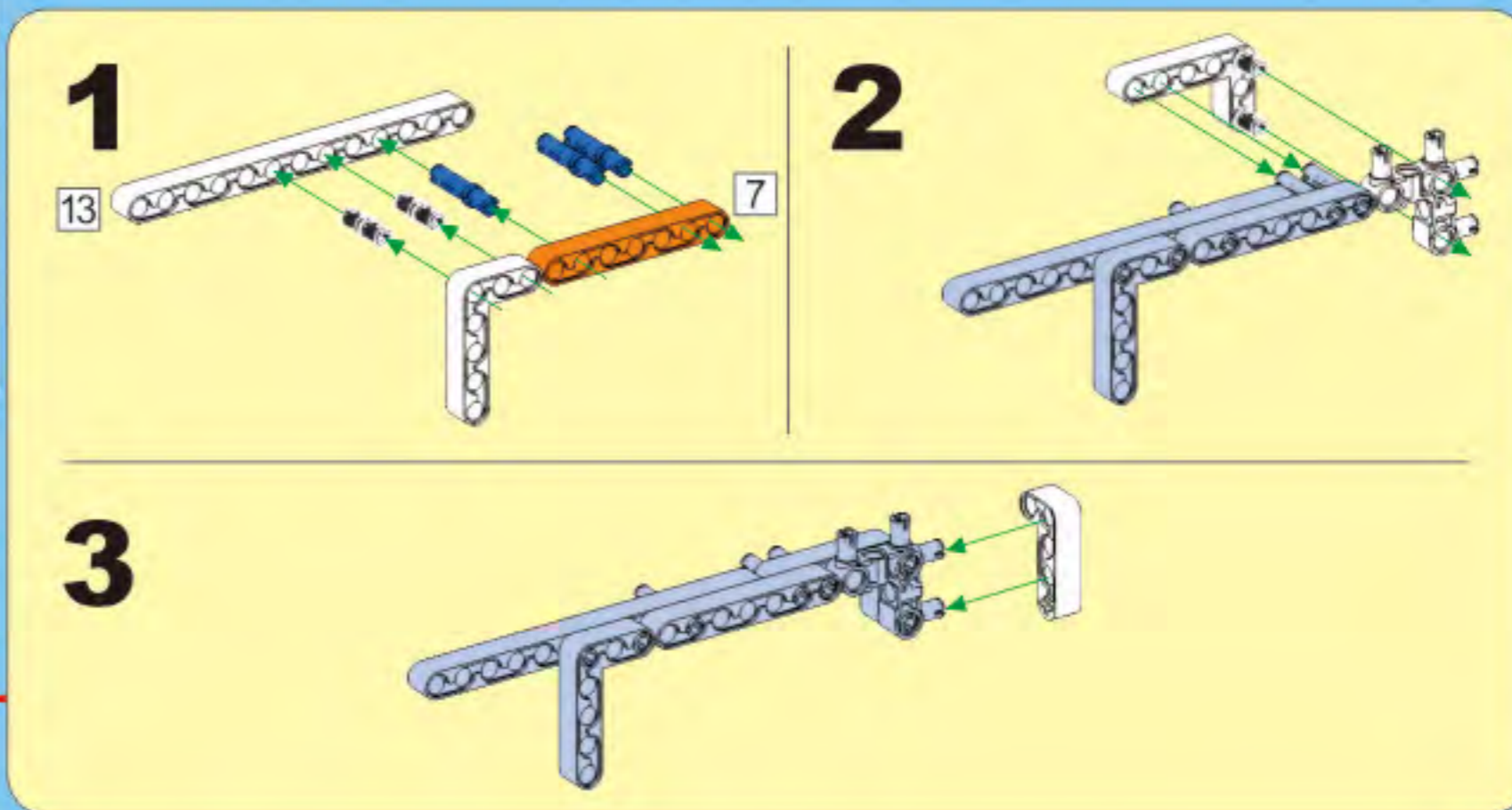
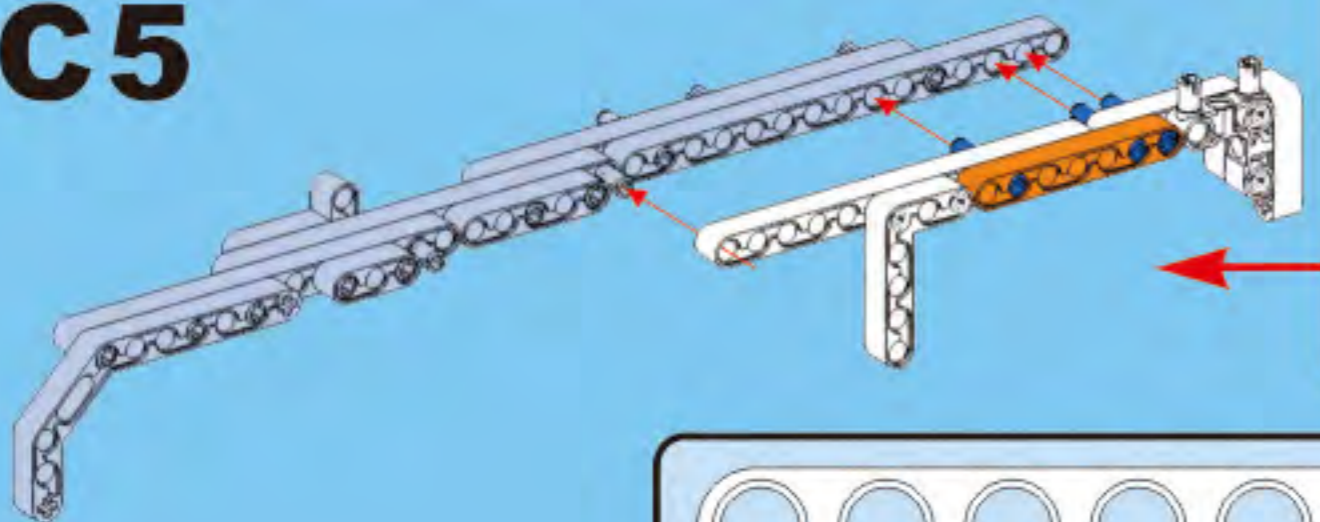




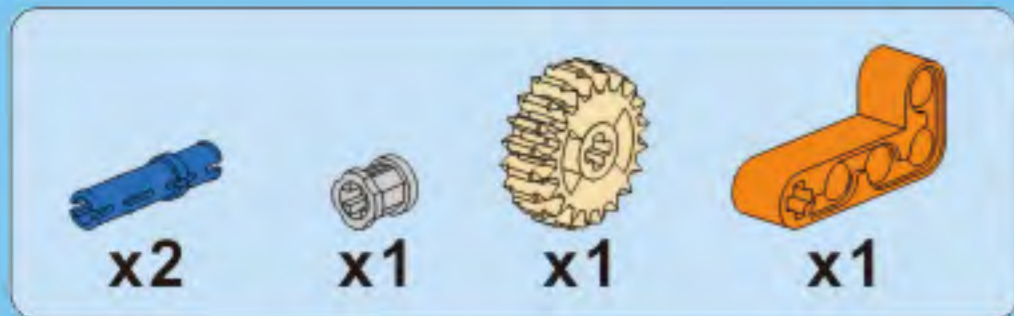
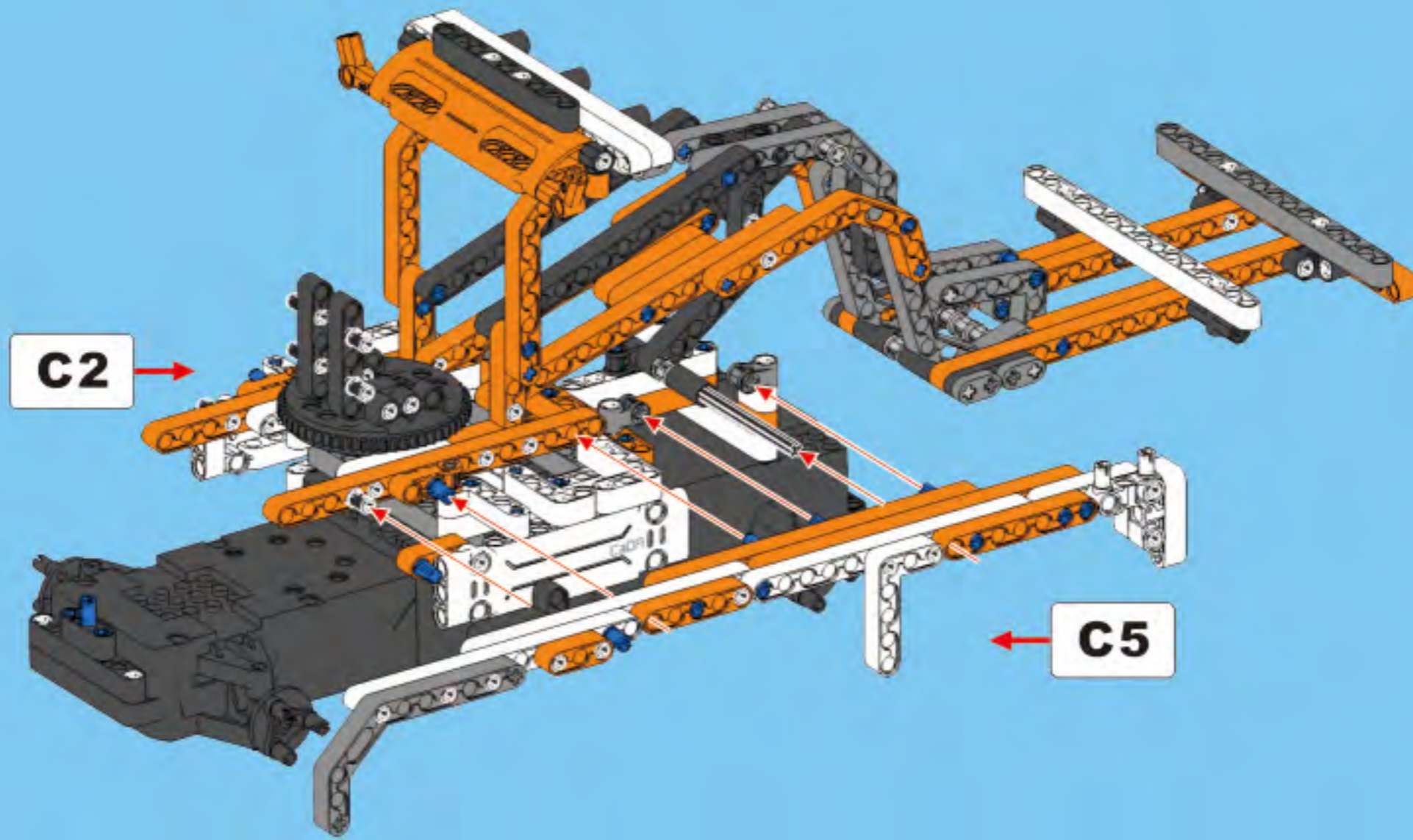
C4



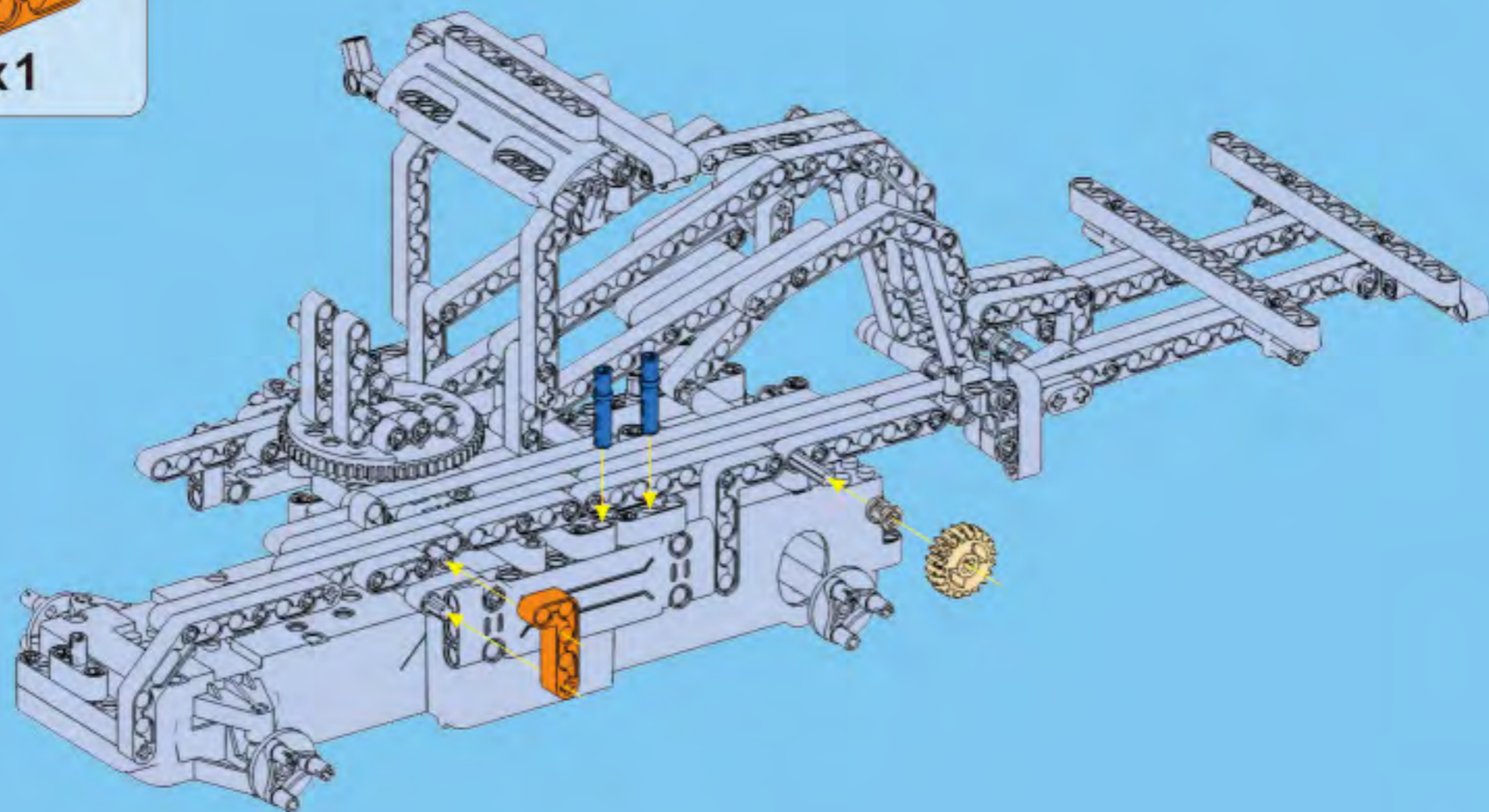
C5

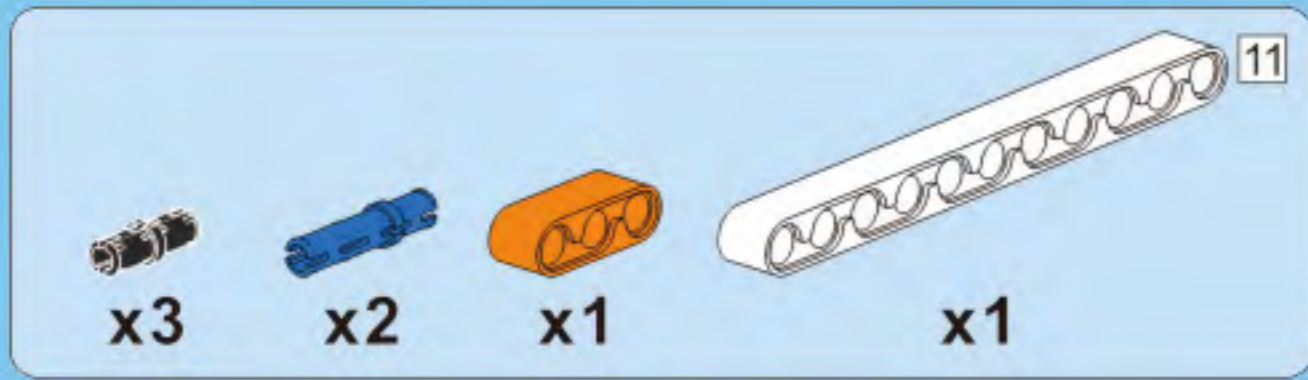


C6

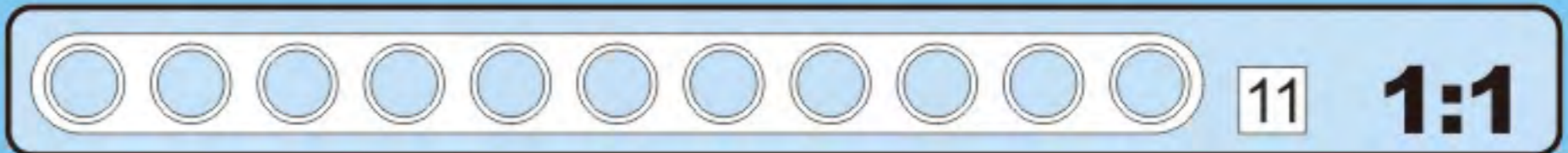
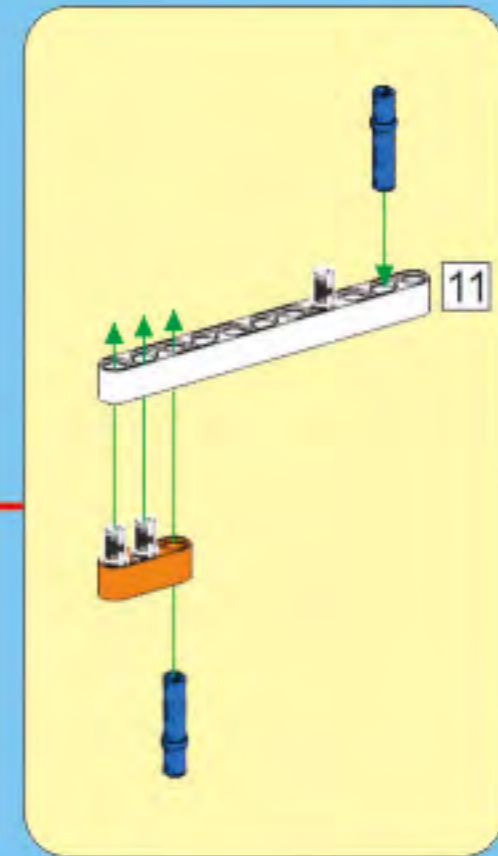
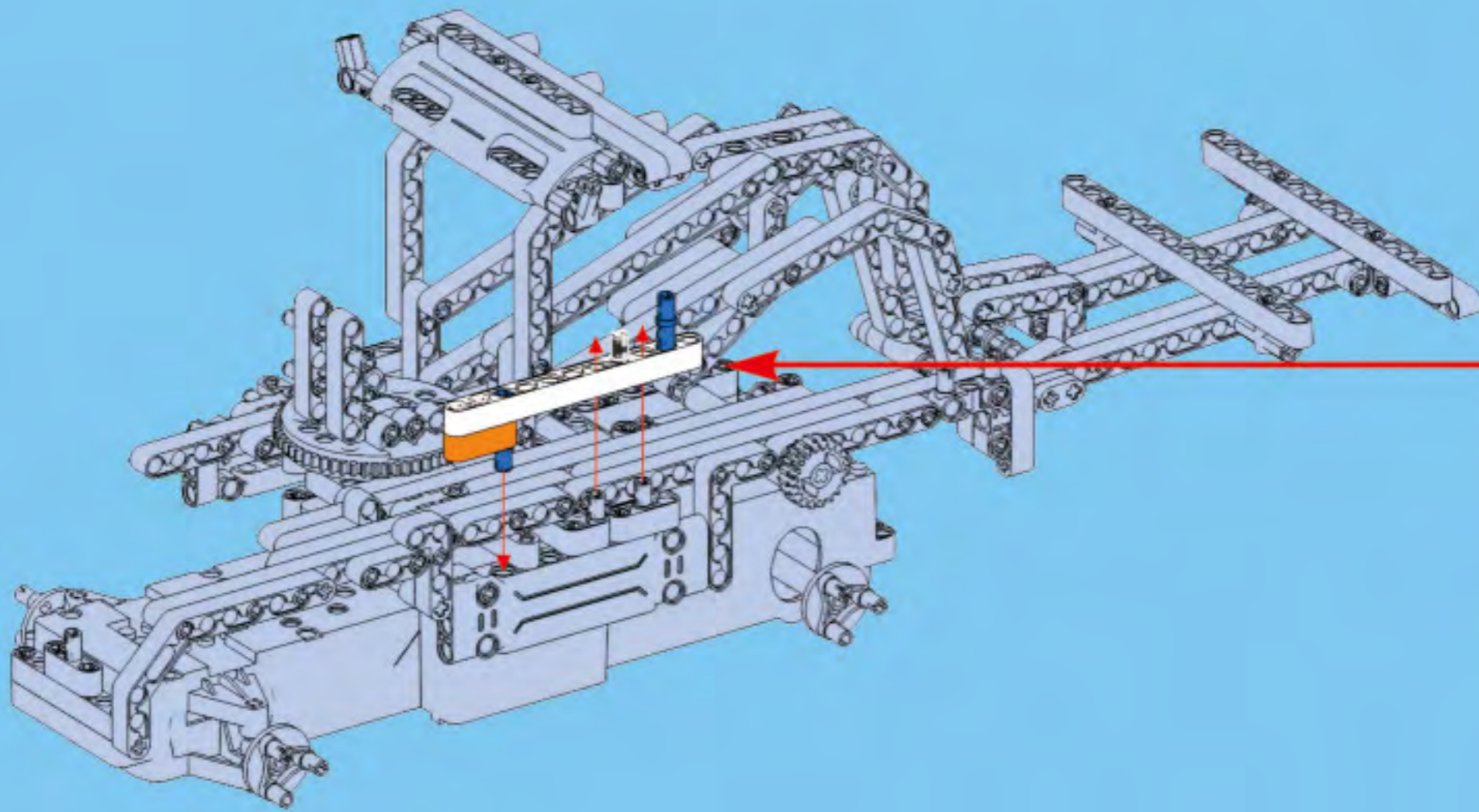


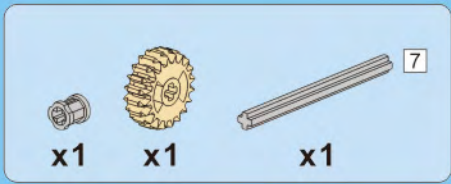
C7



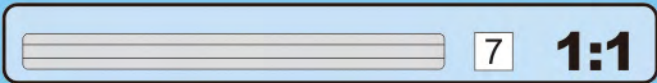
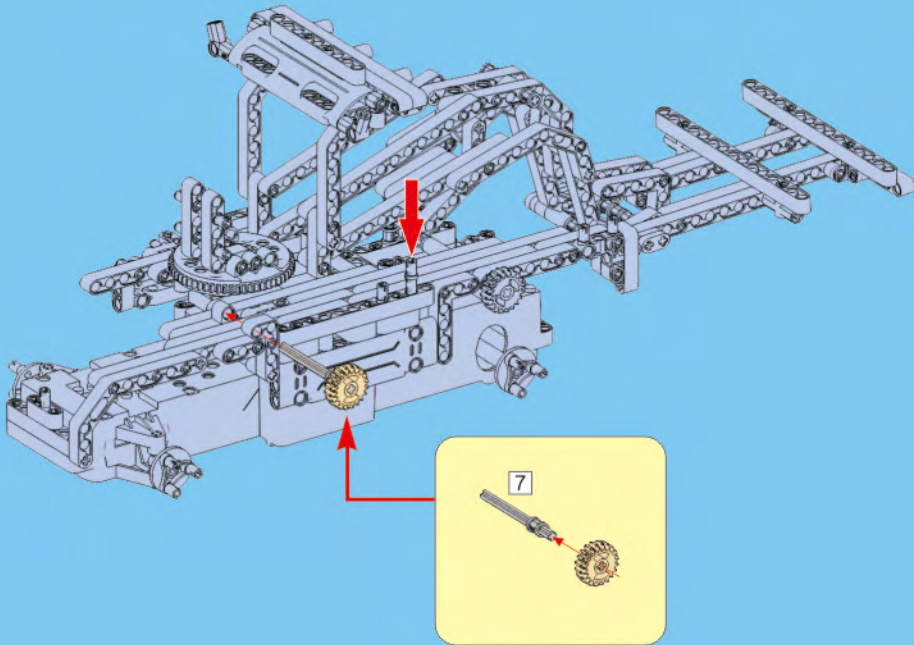


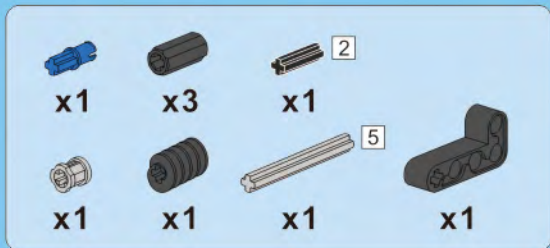
C8



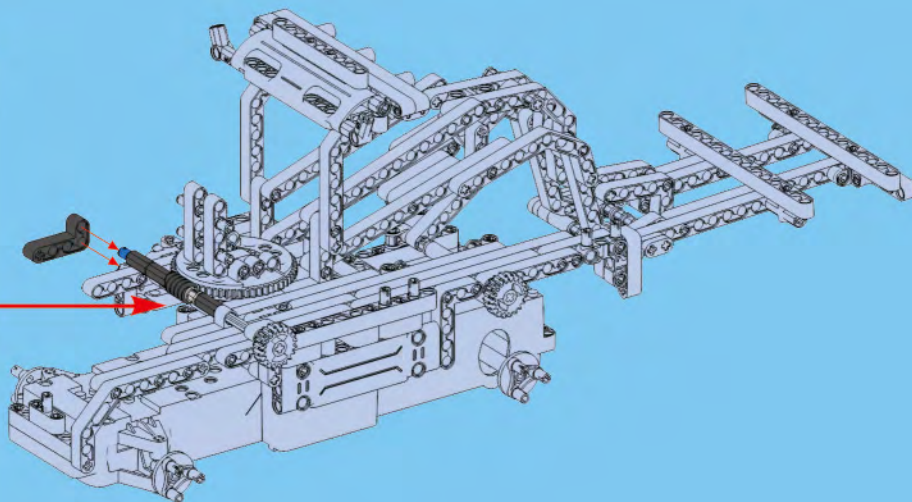
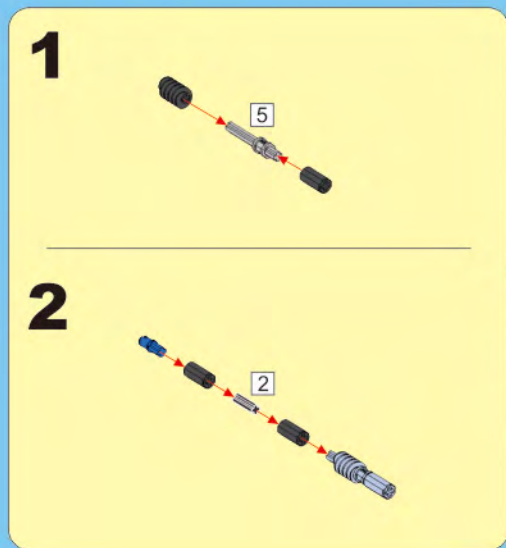


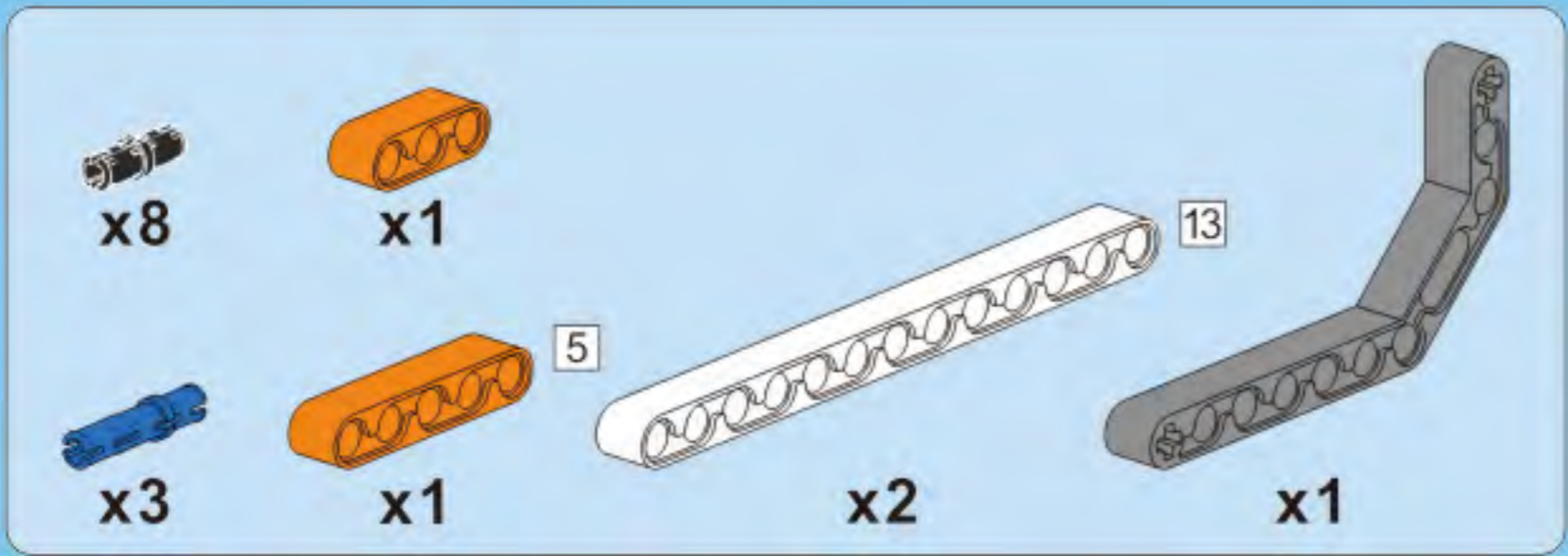
C9



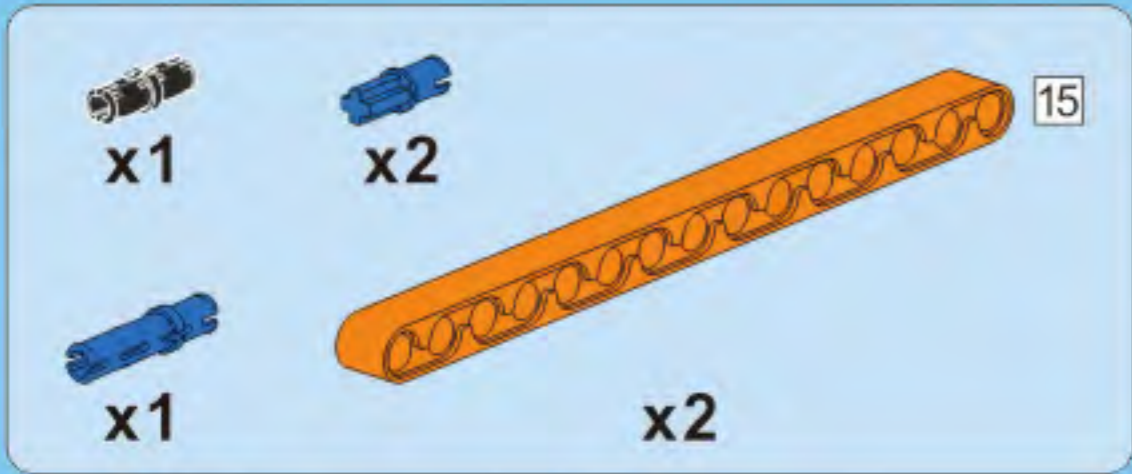
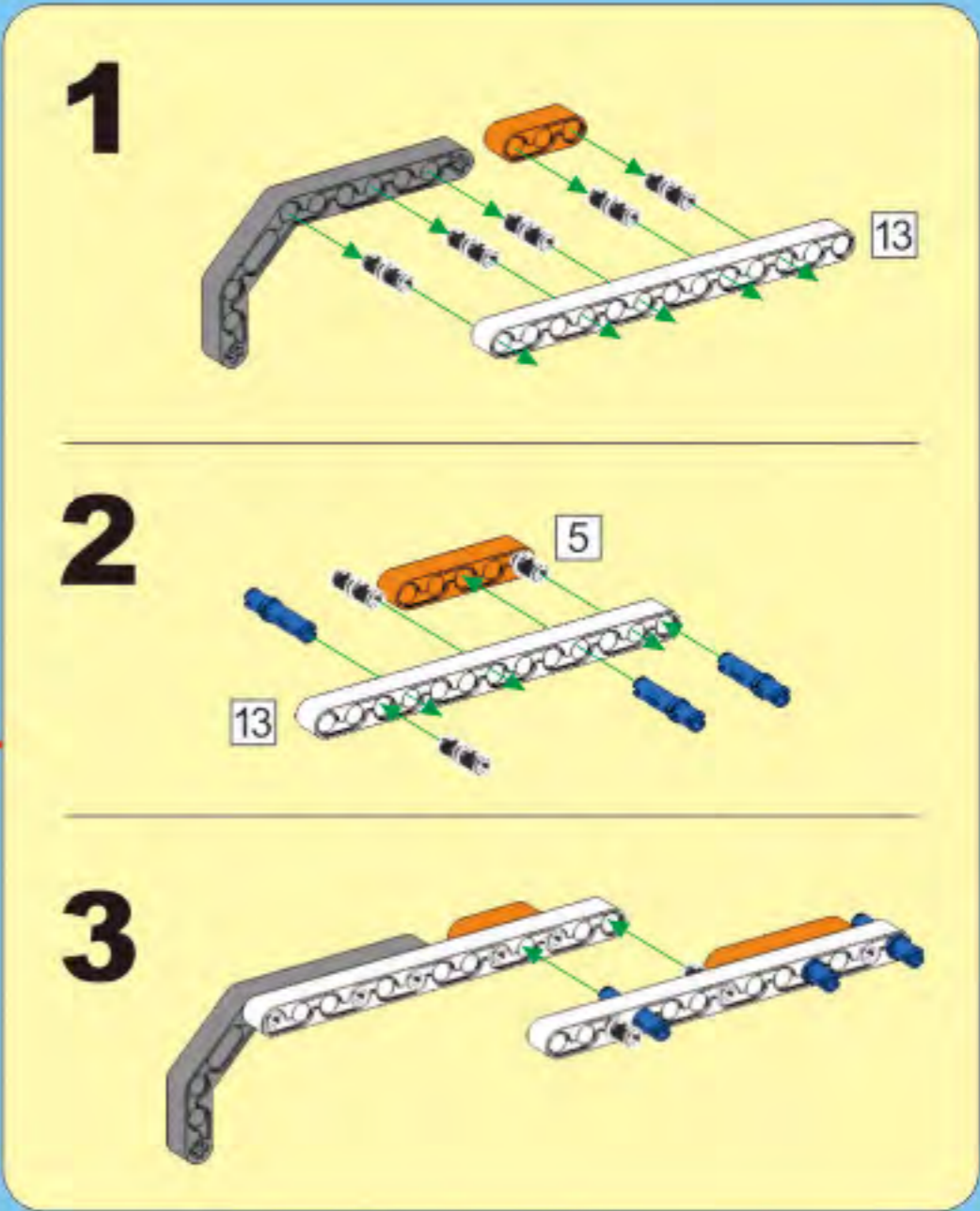
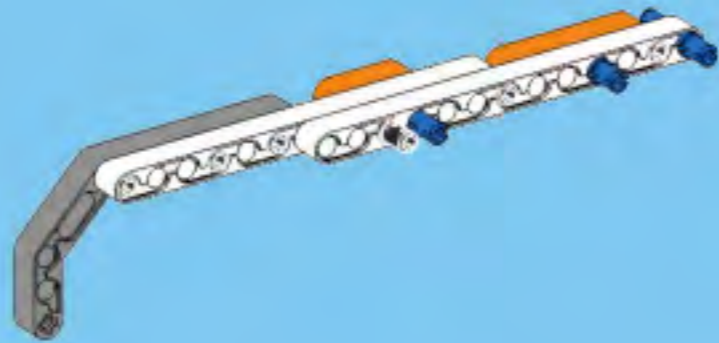


C10

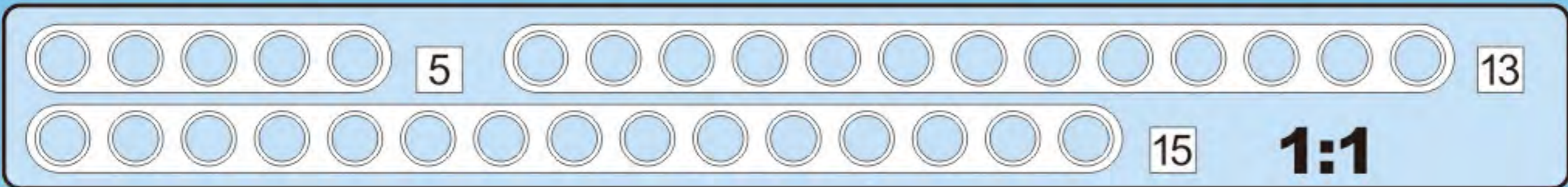
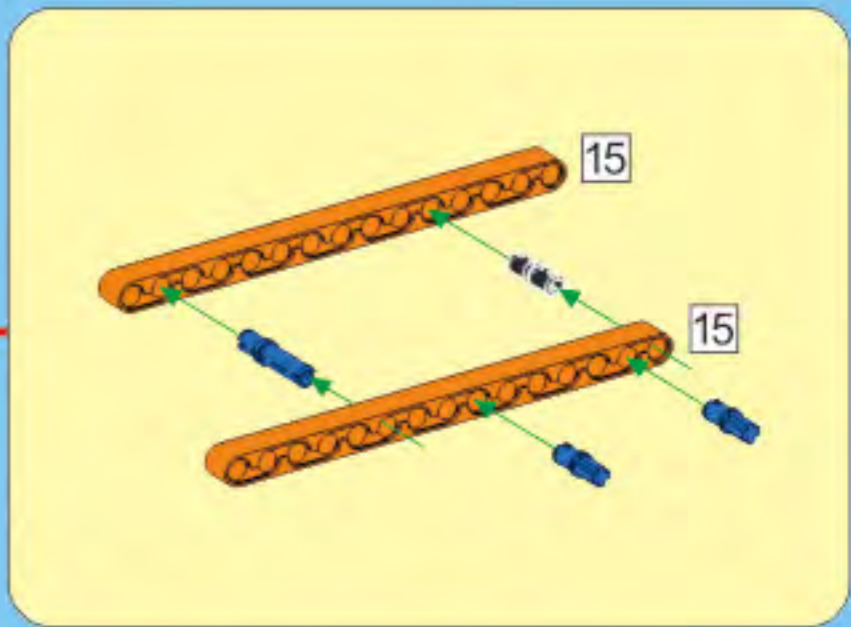
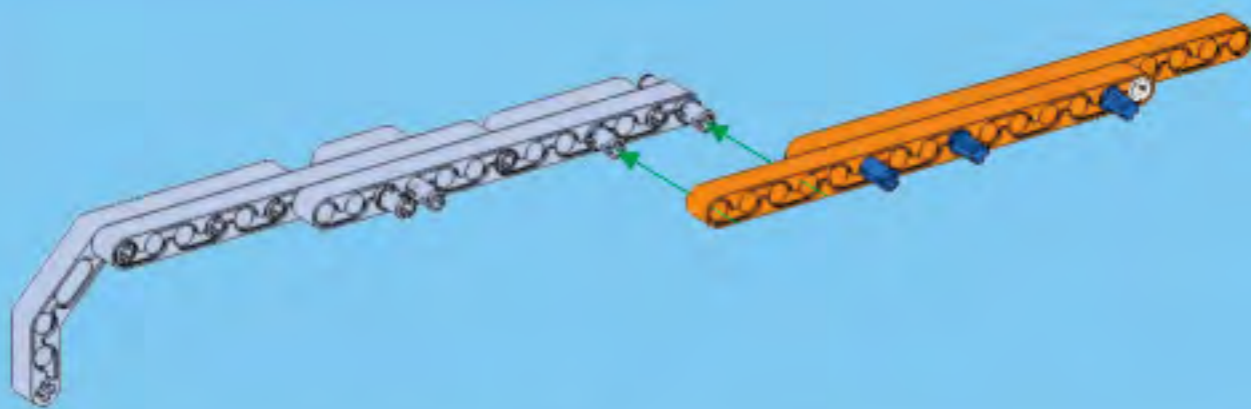


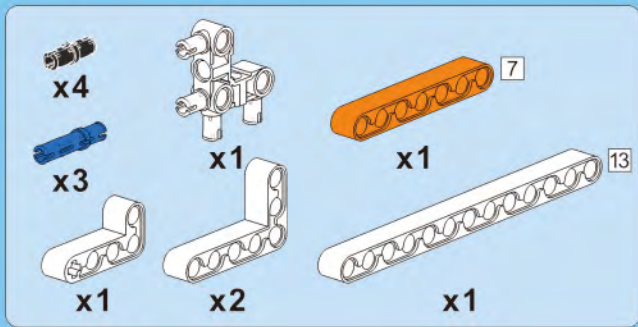


C11

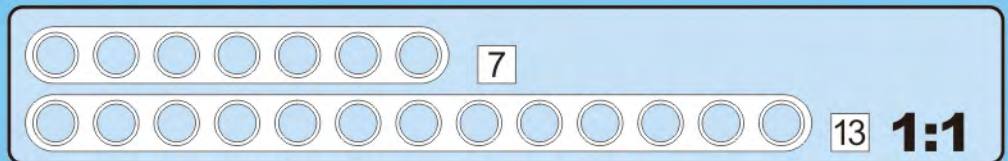
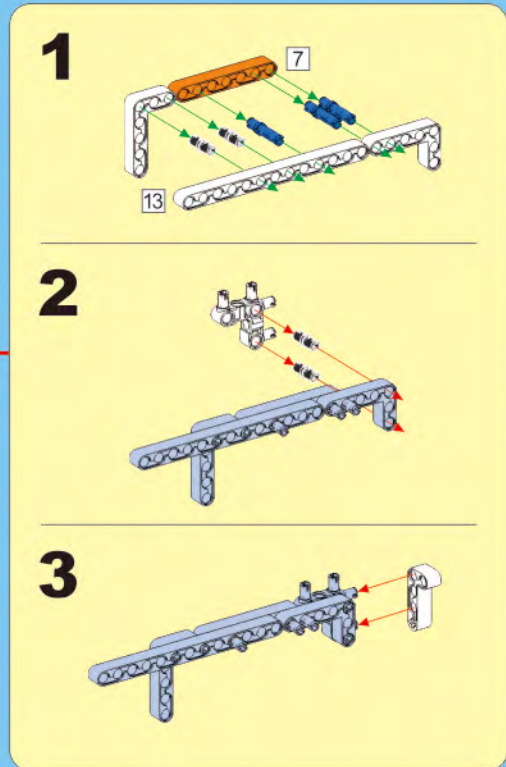
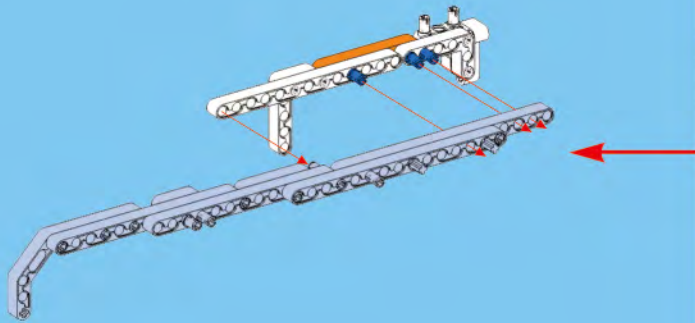


C12

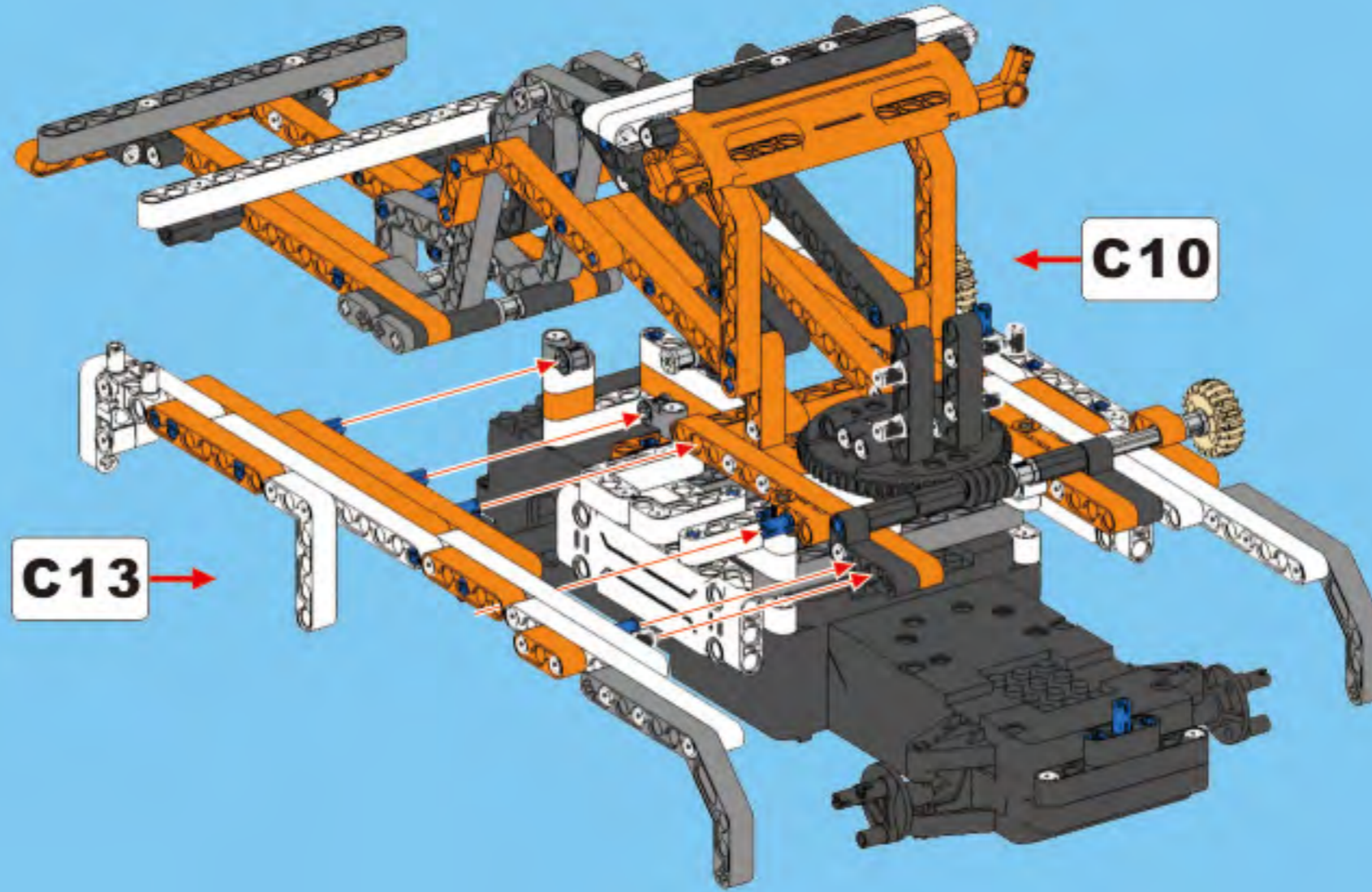




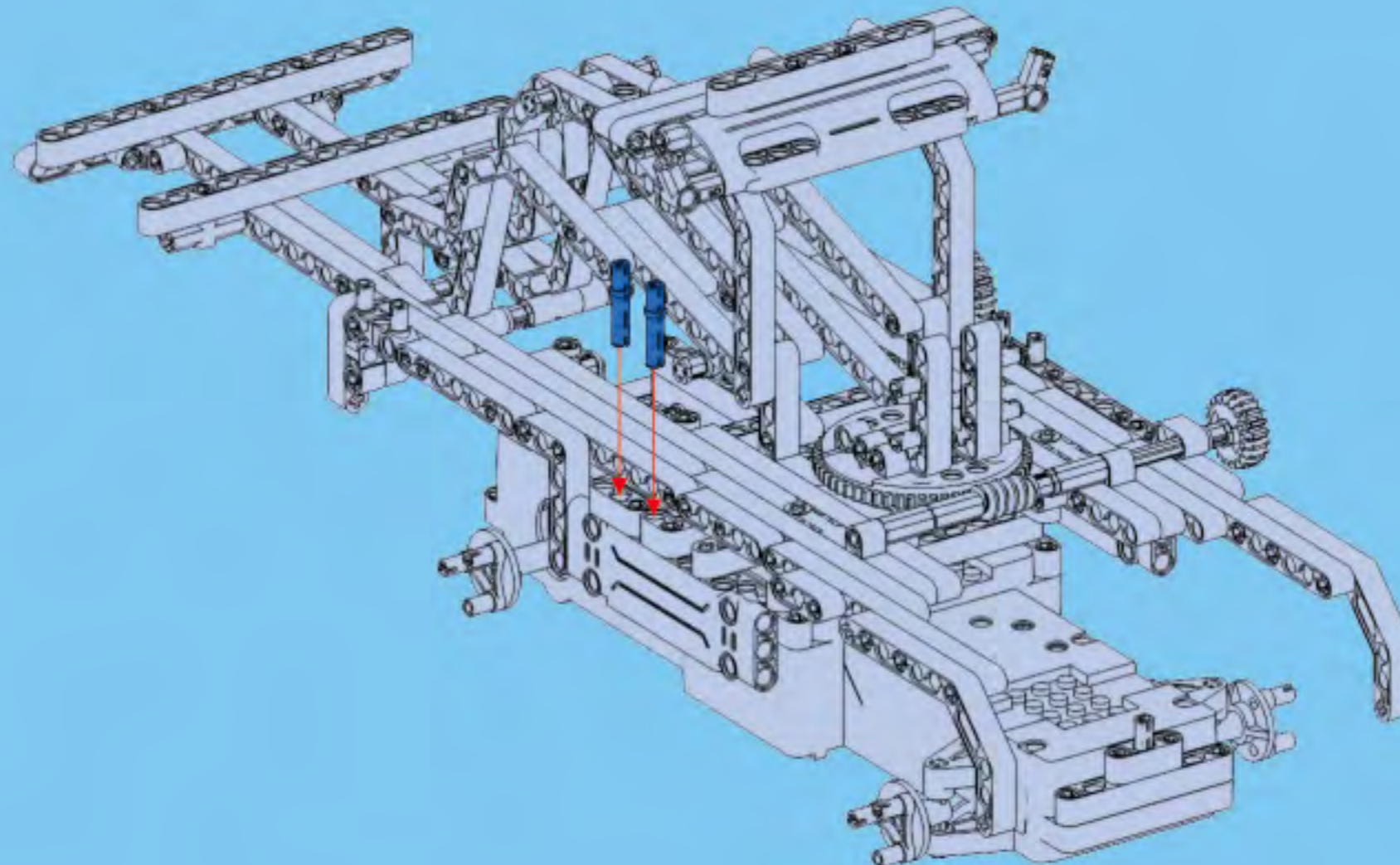
C13

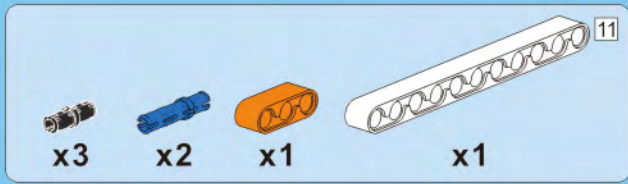


C14

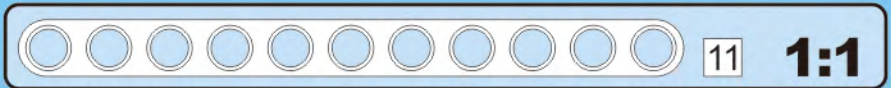
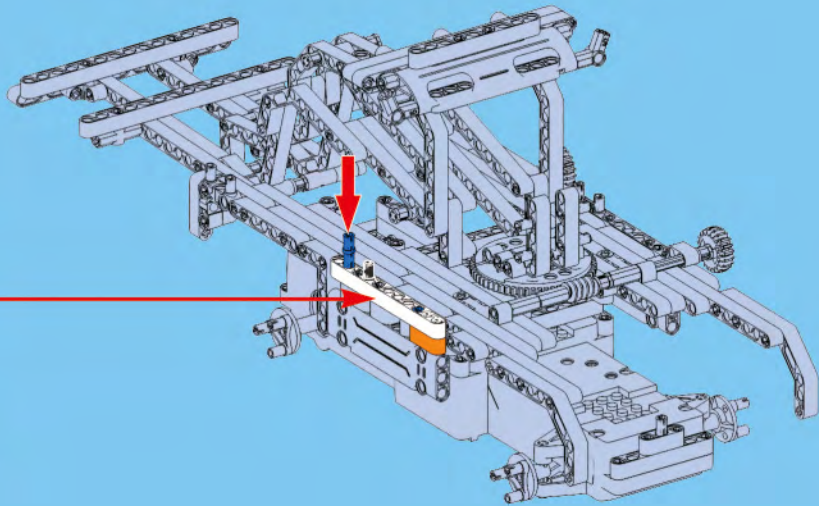
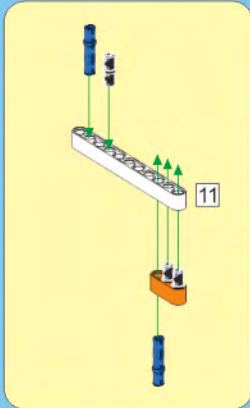


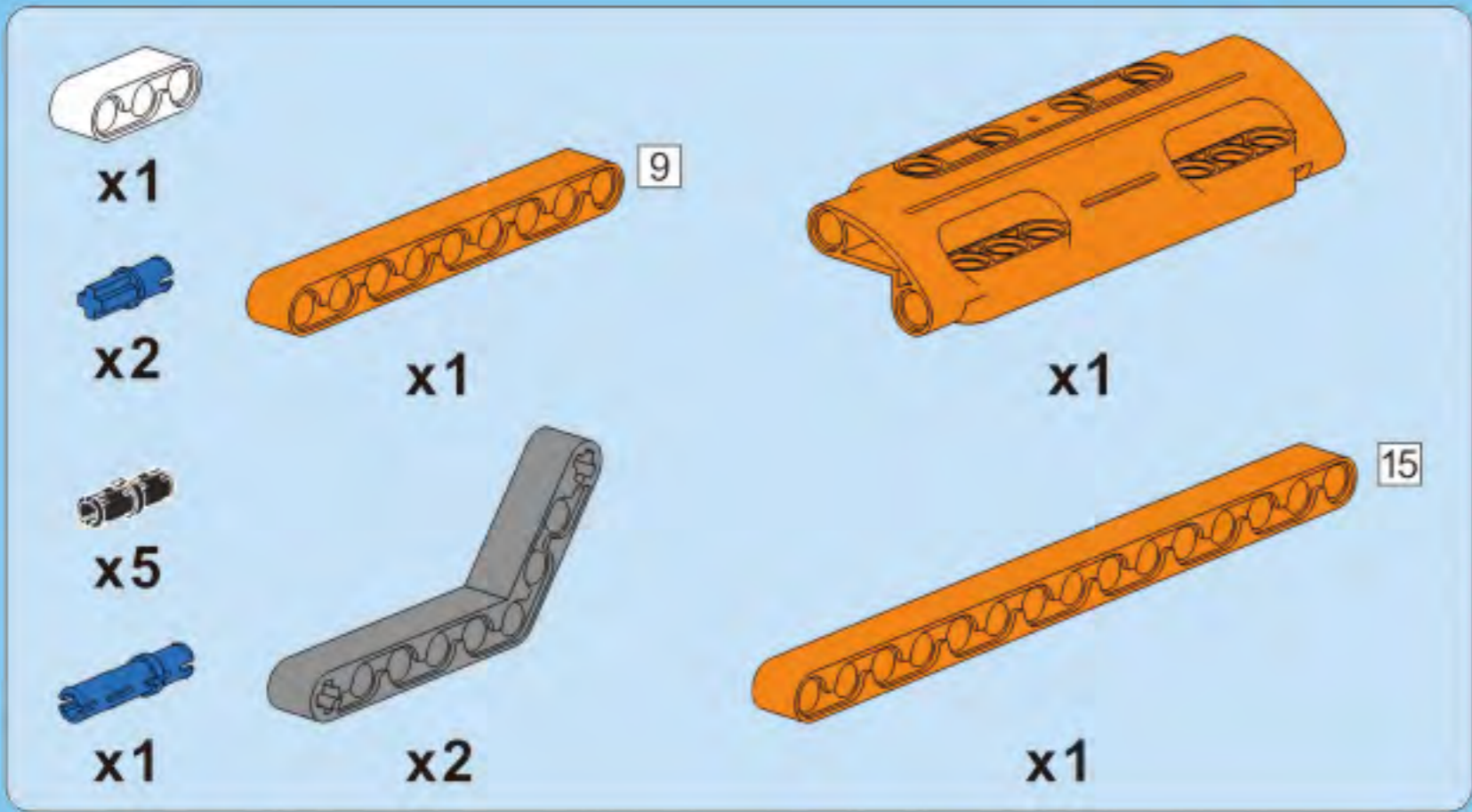
C15



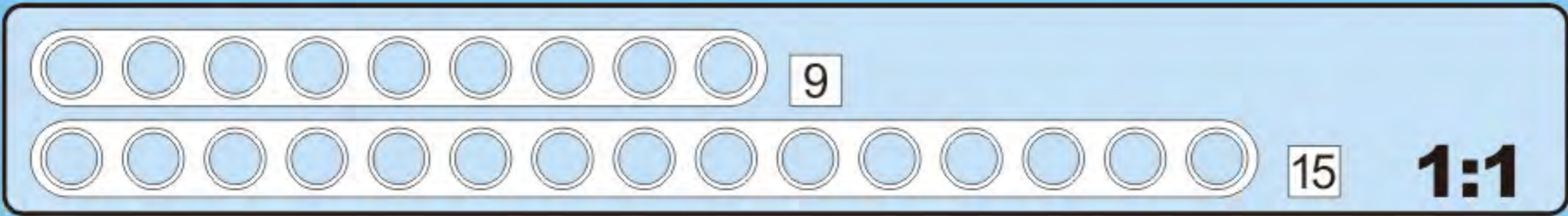
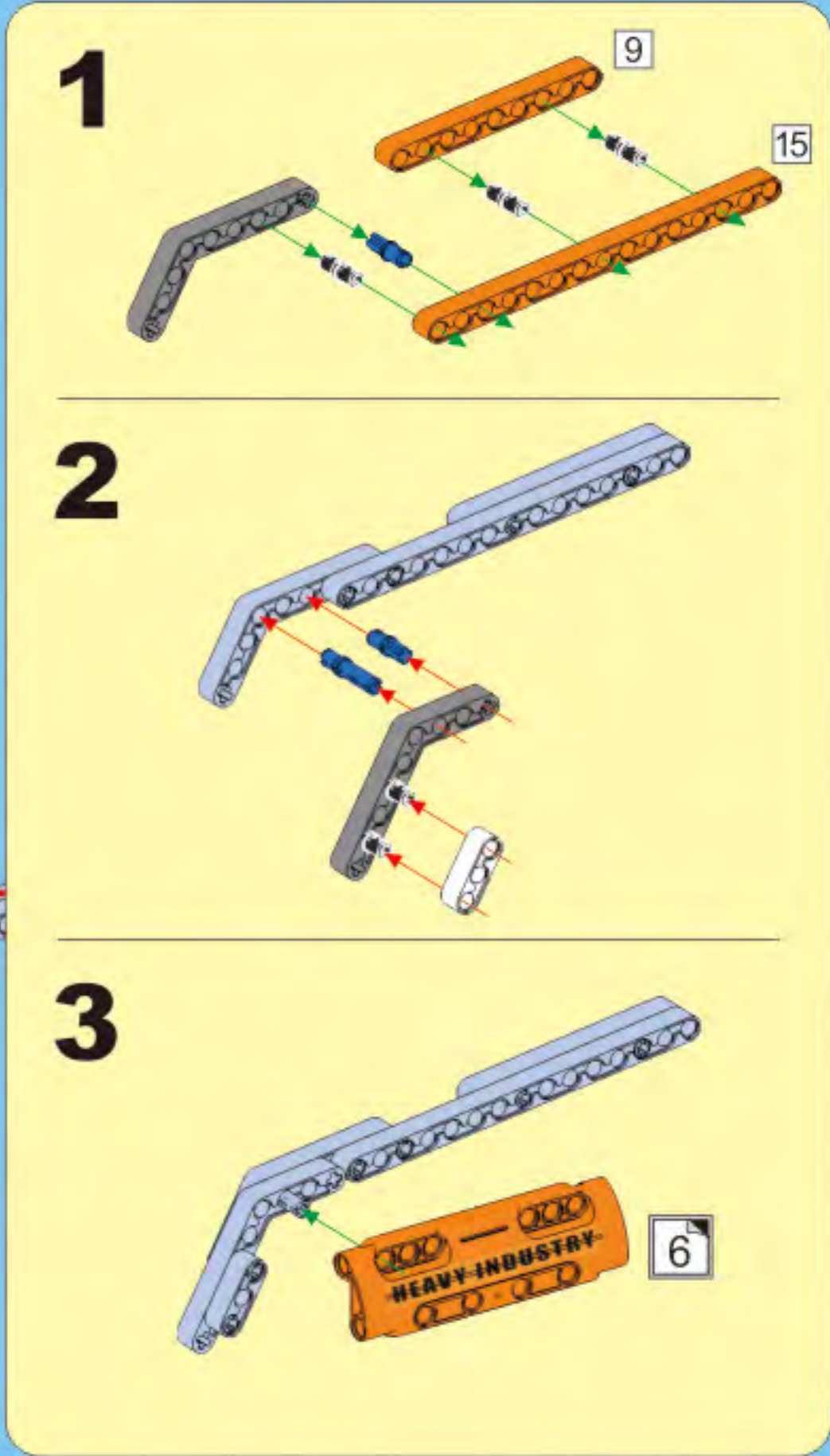
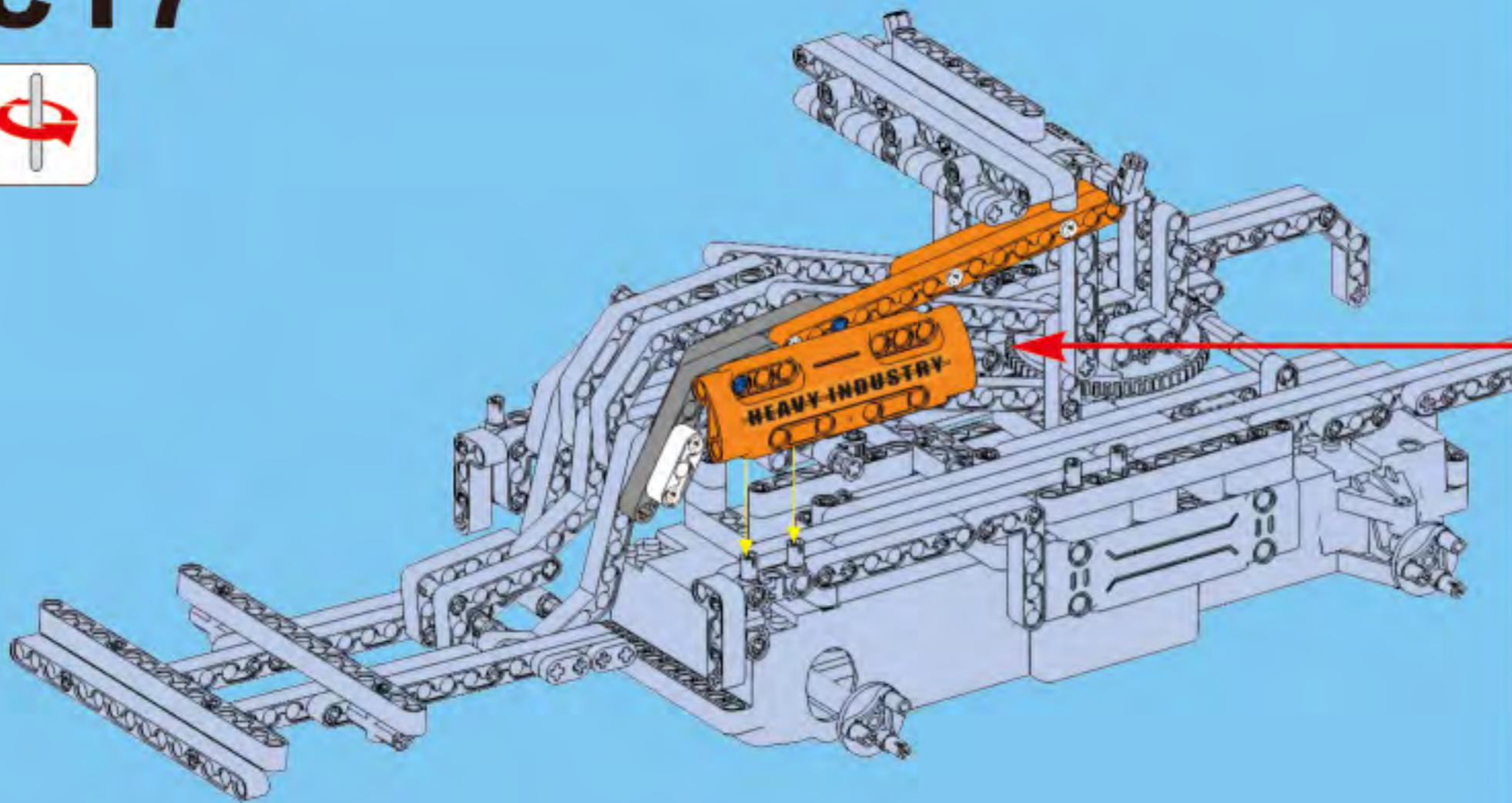


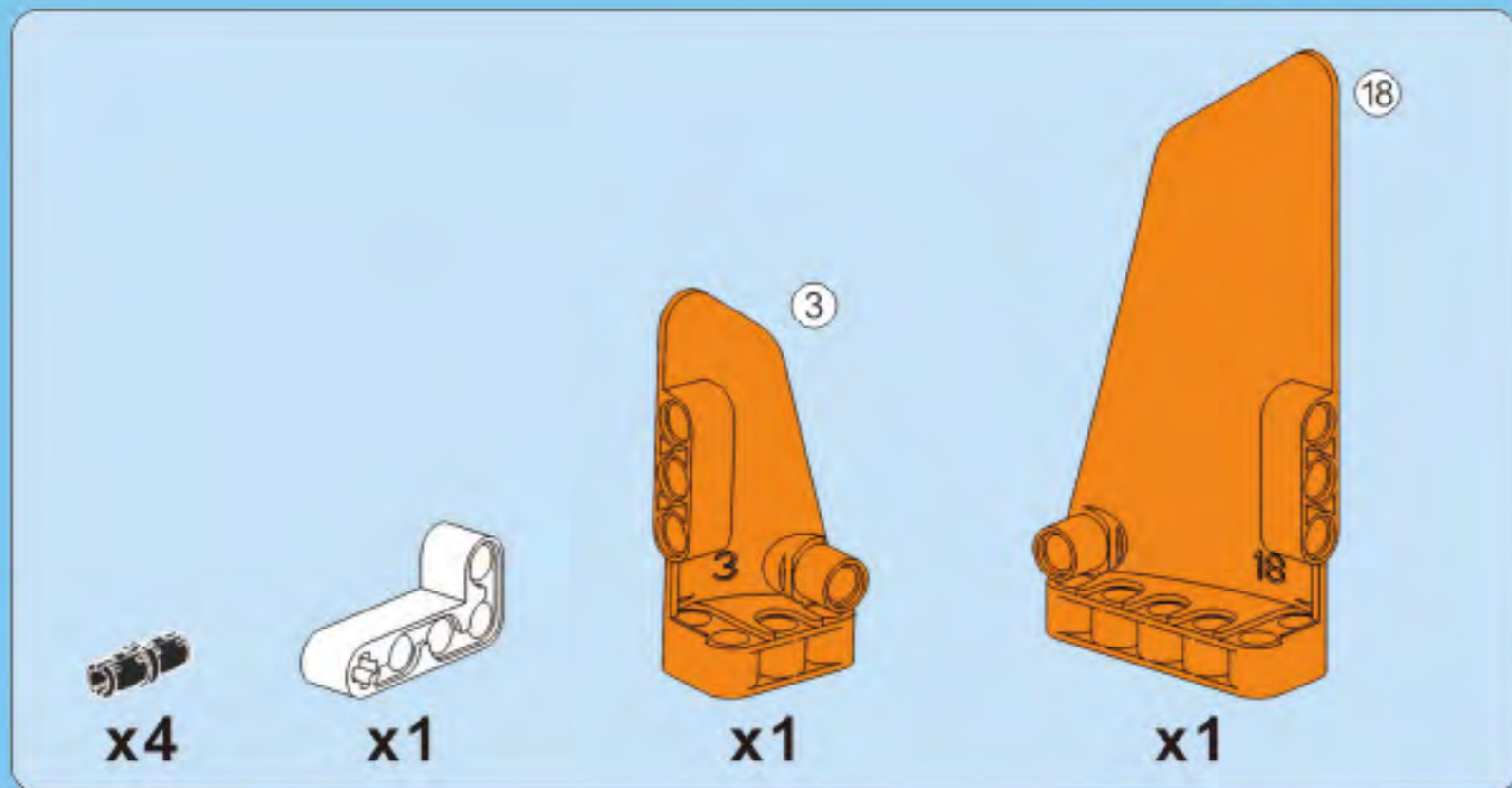
C16



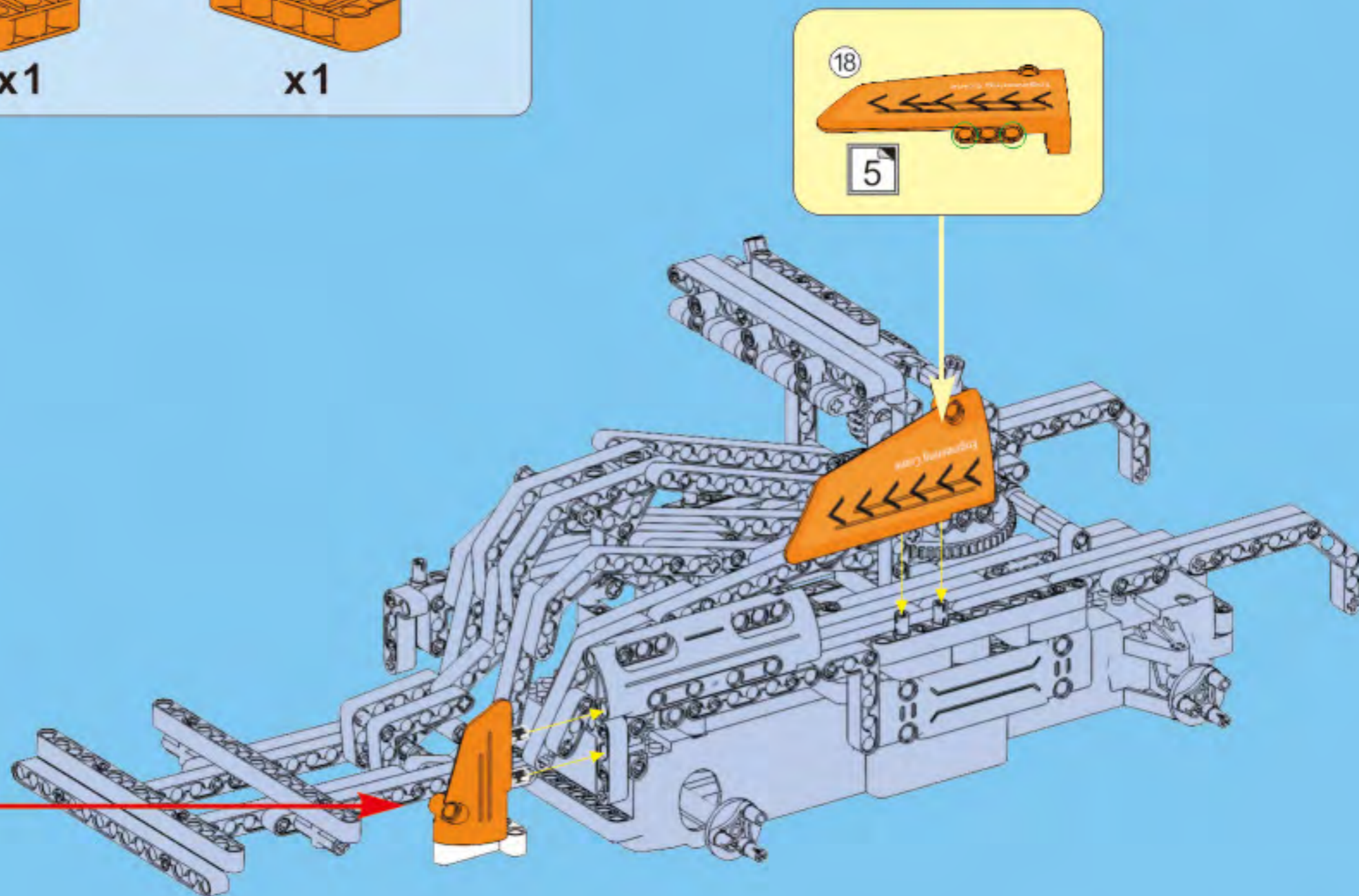
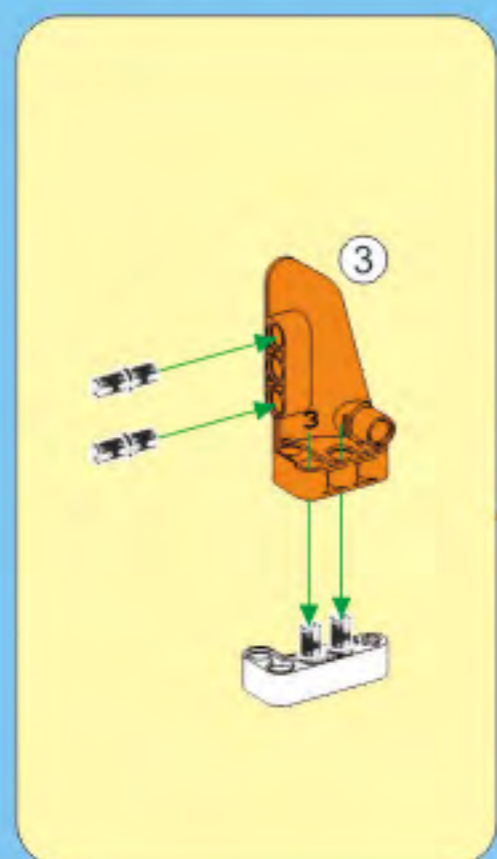


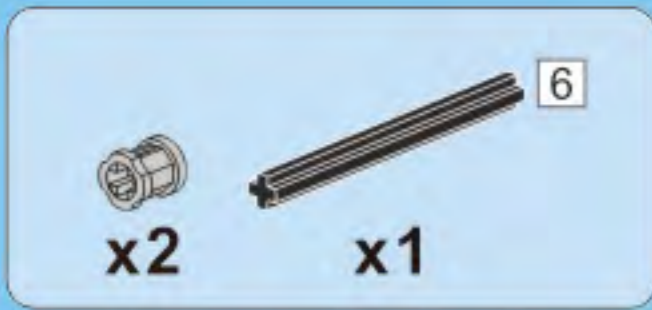
C17



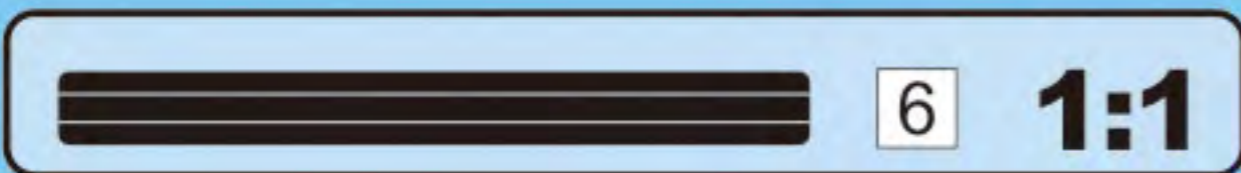
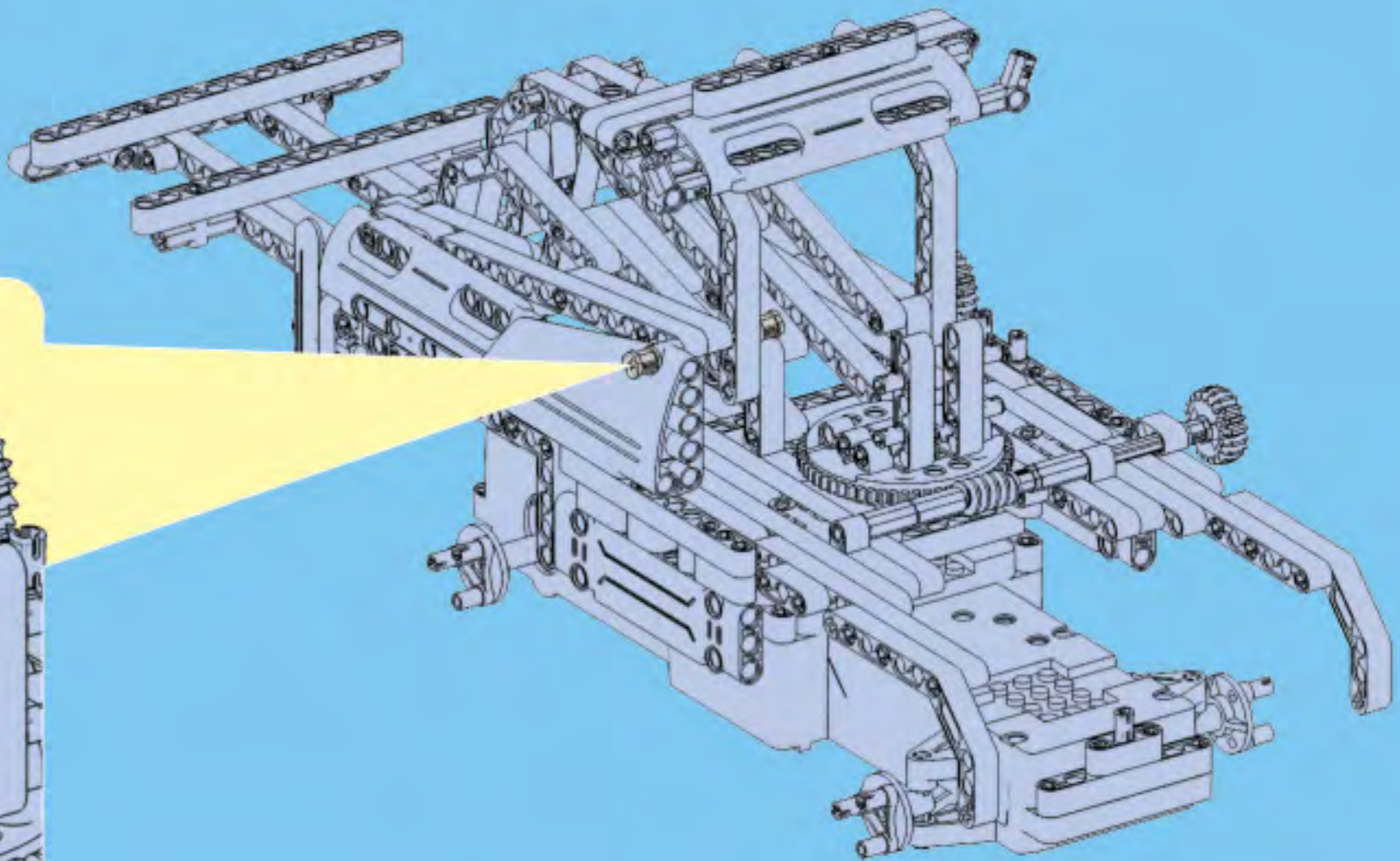
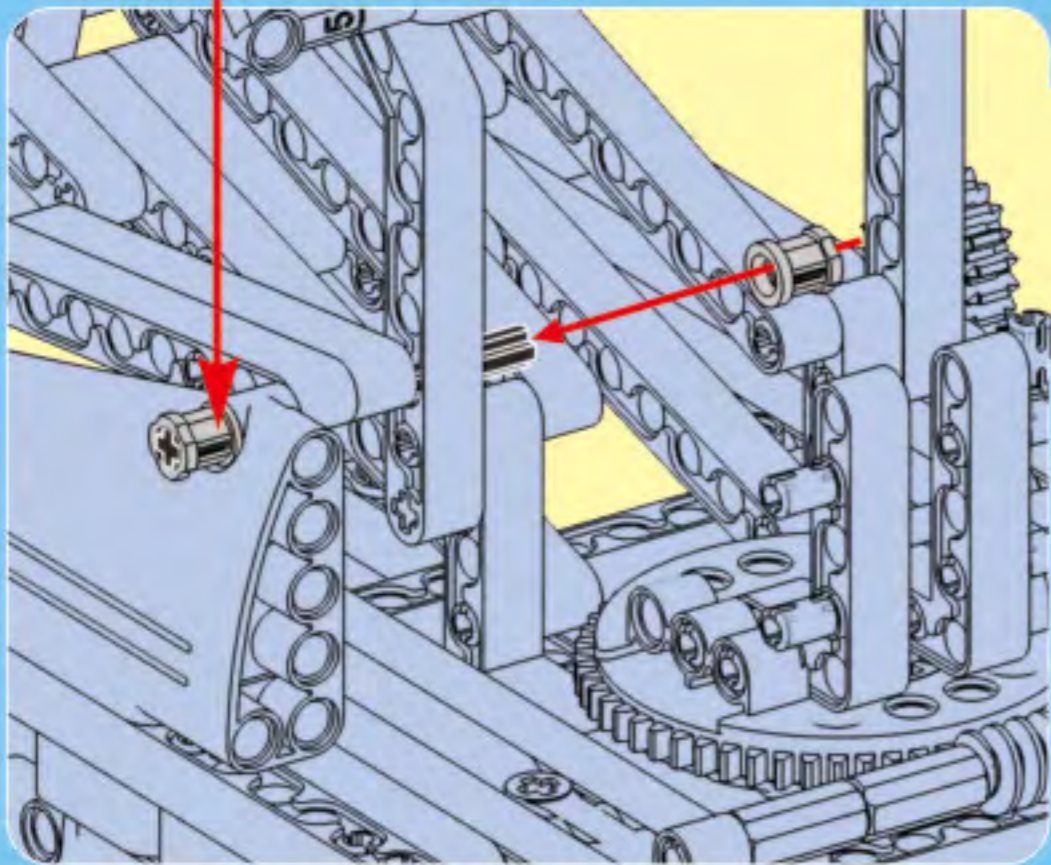
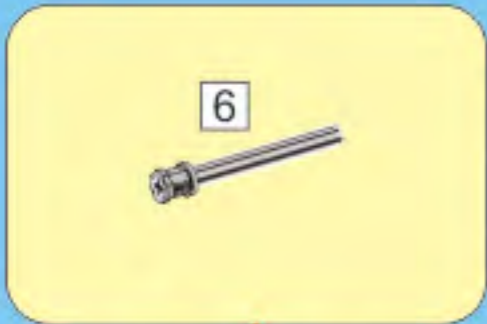


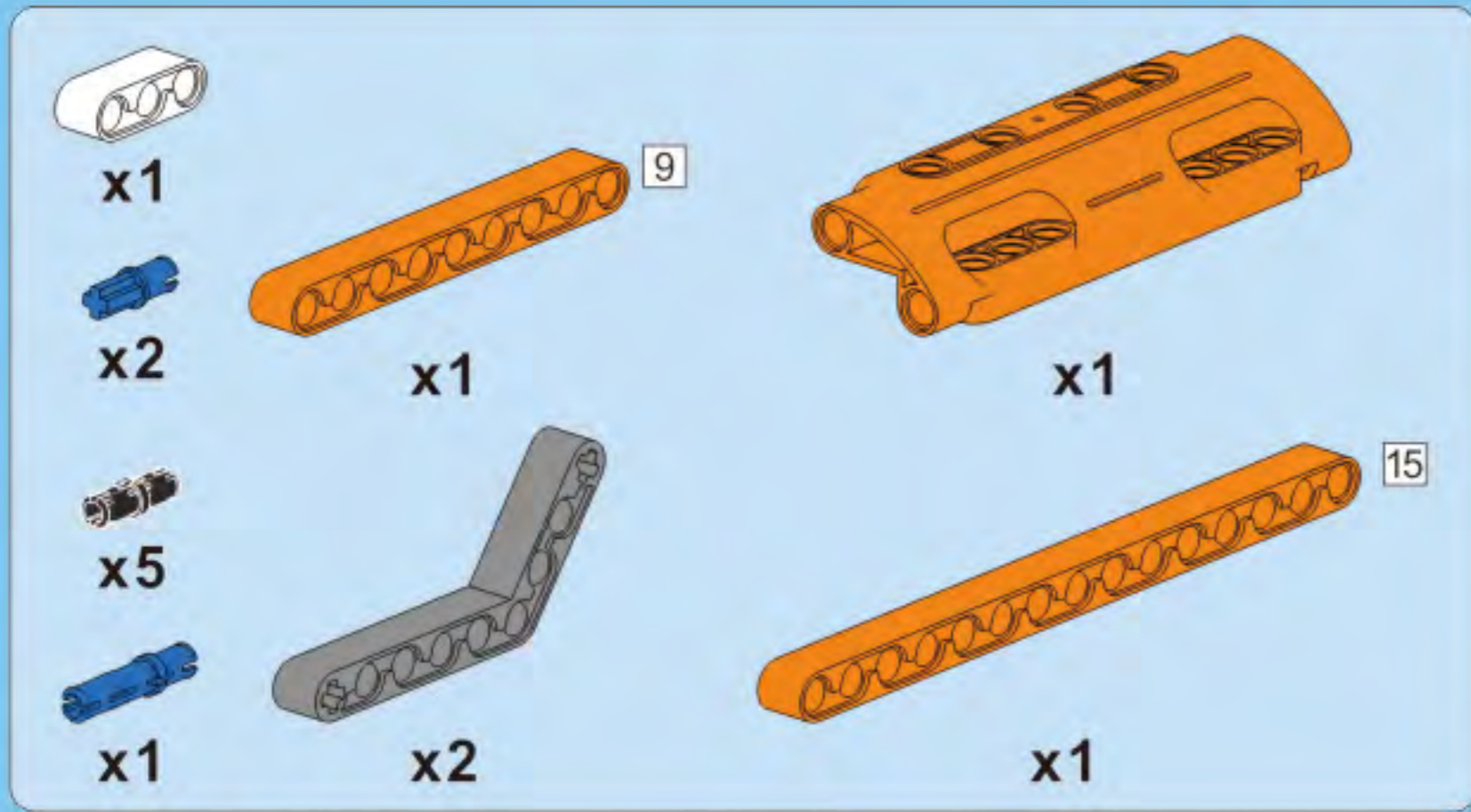
C18



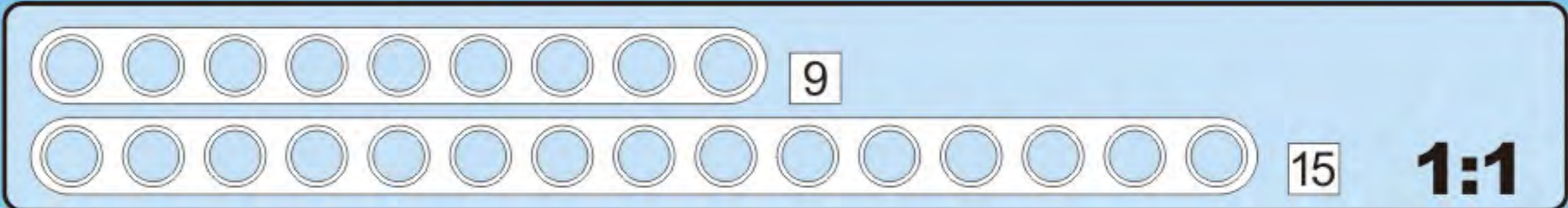
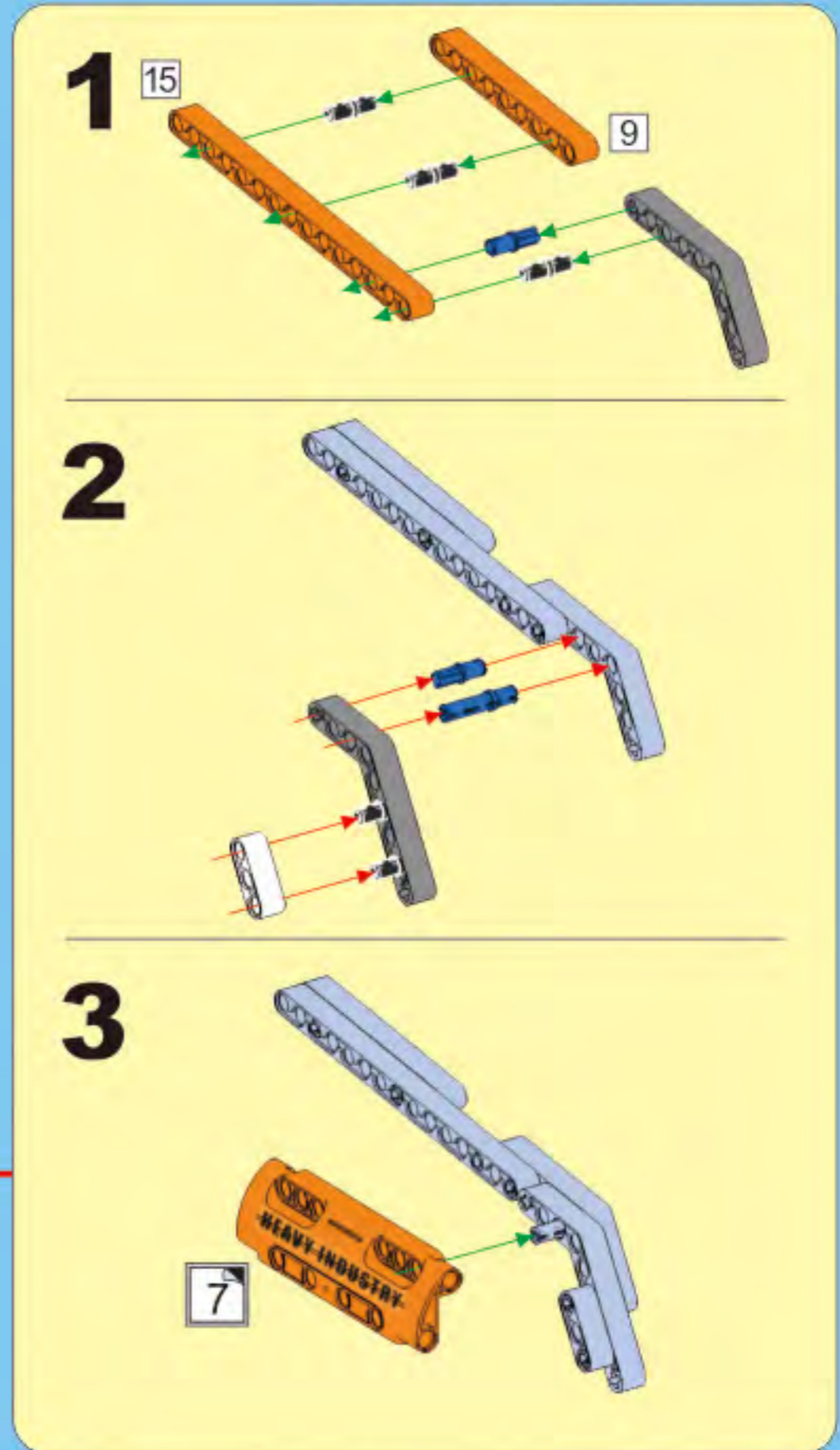
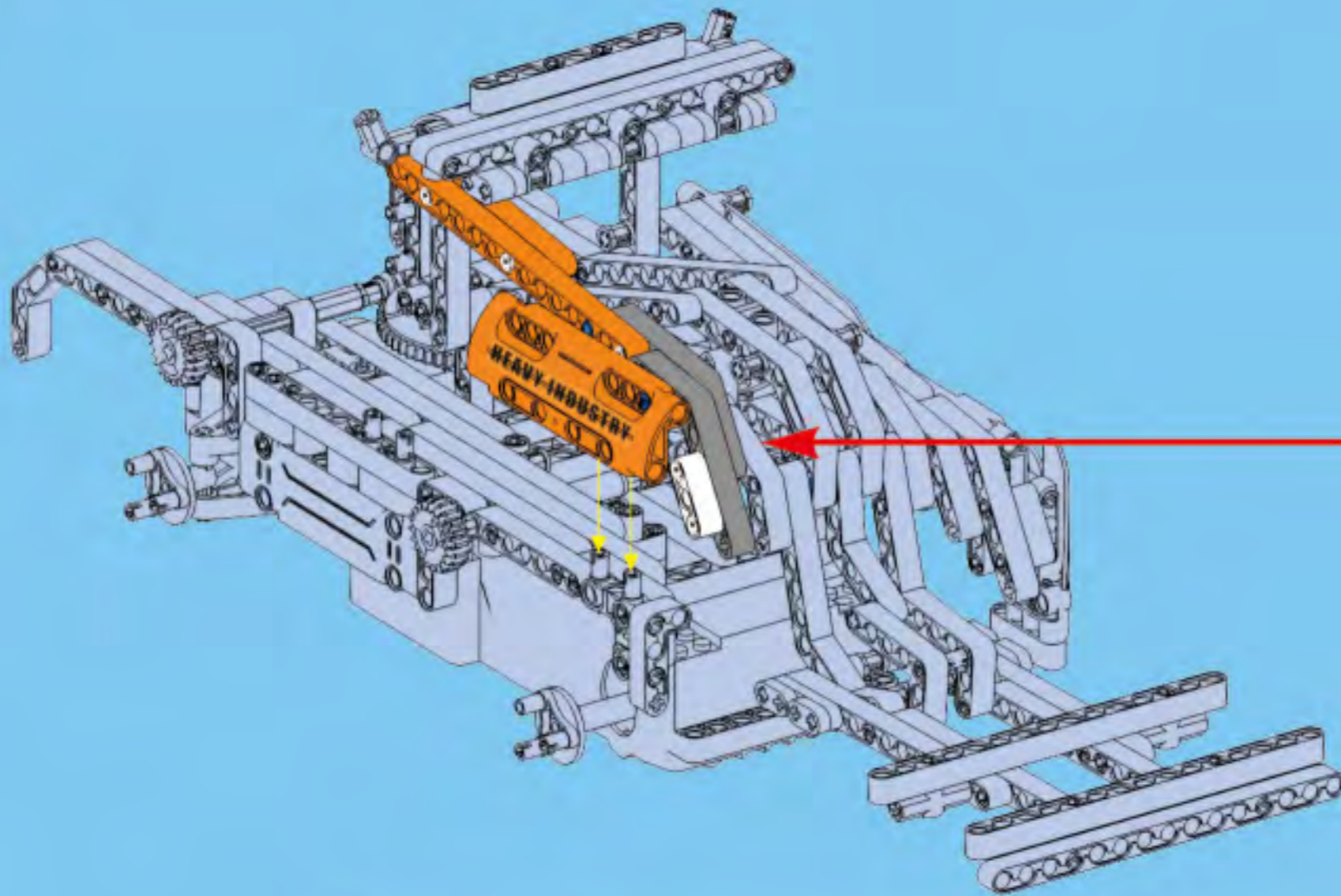


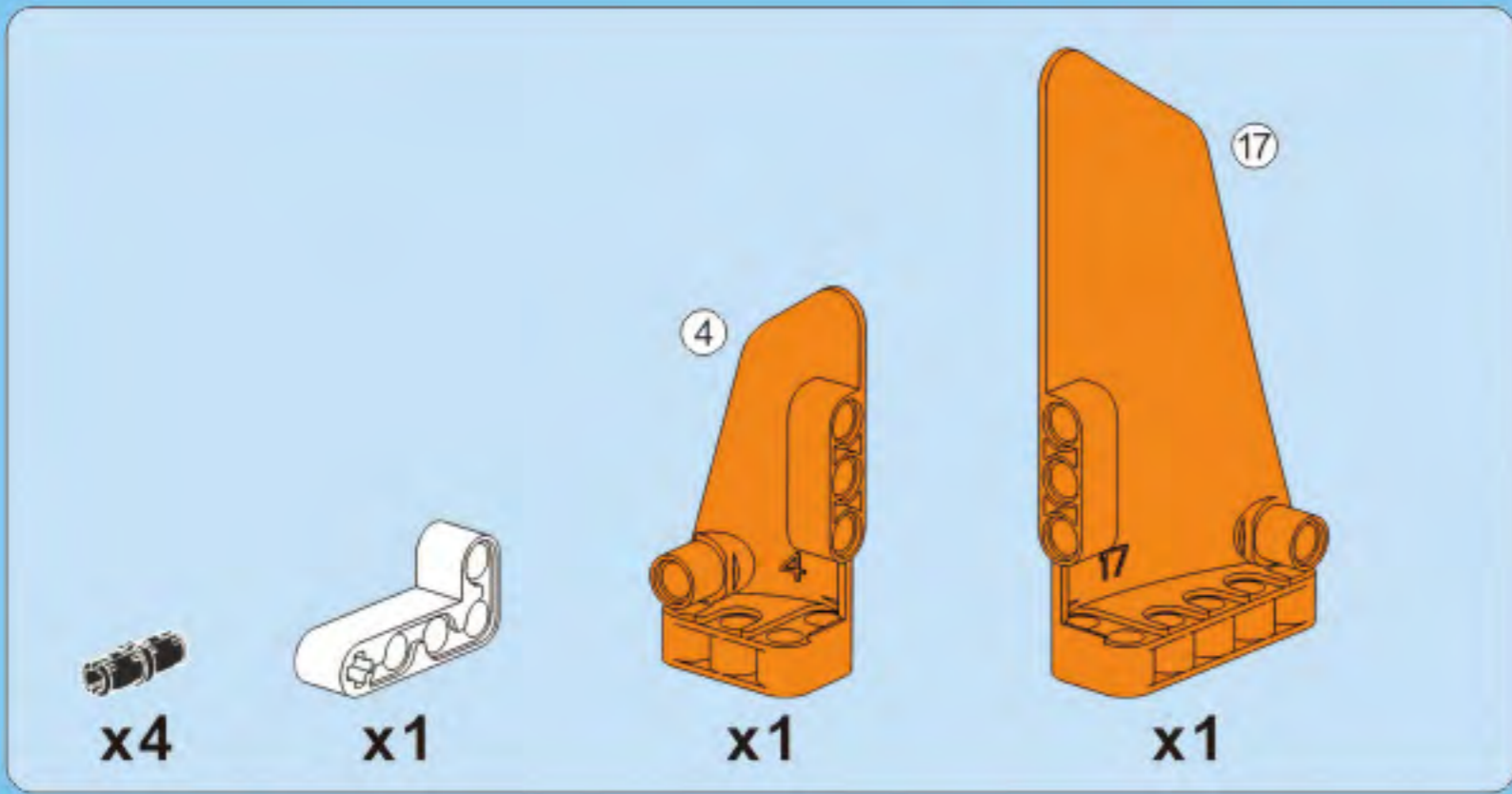
C19



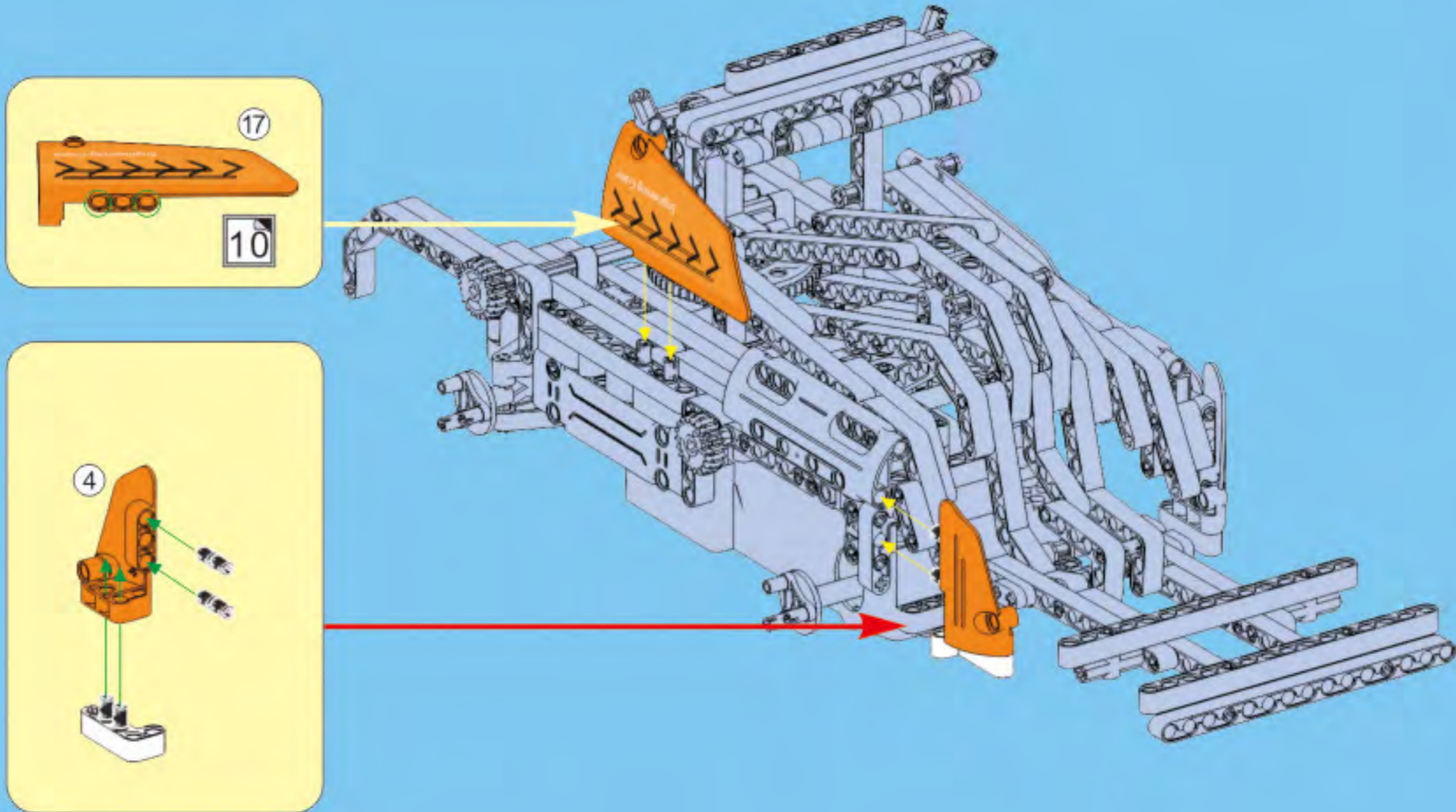


C20



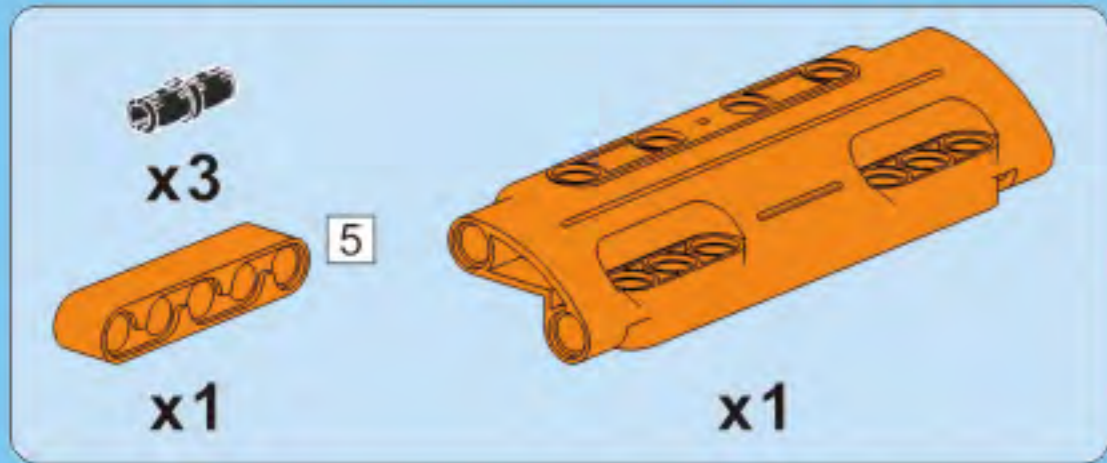
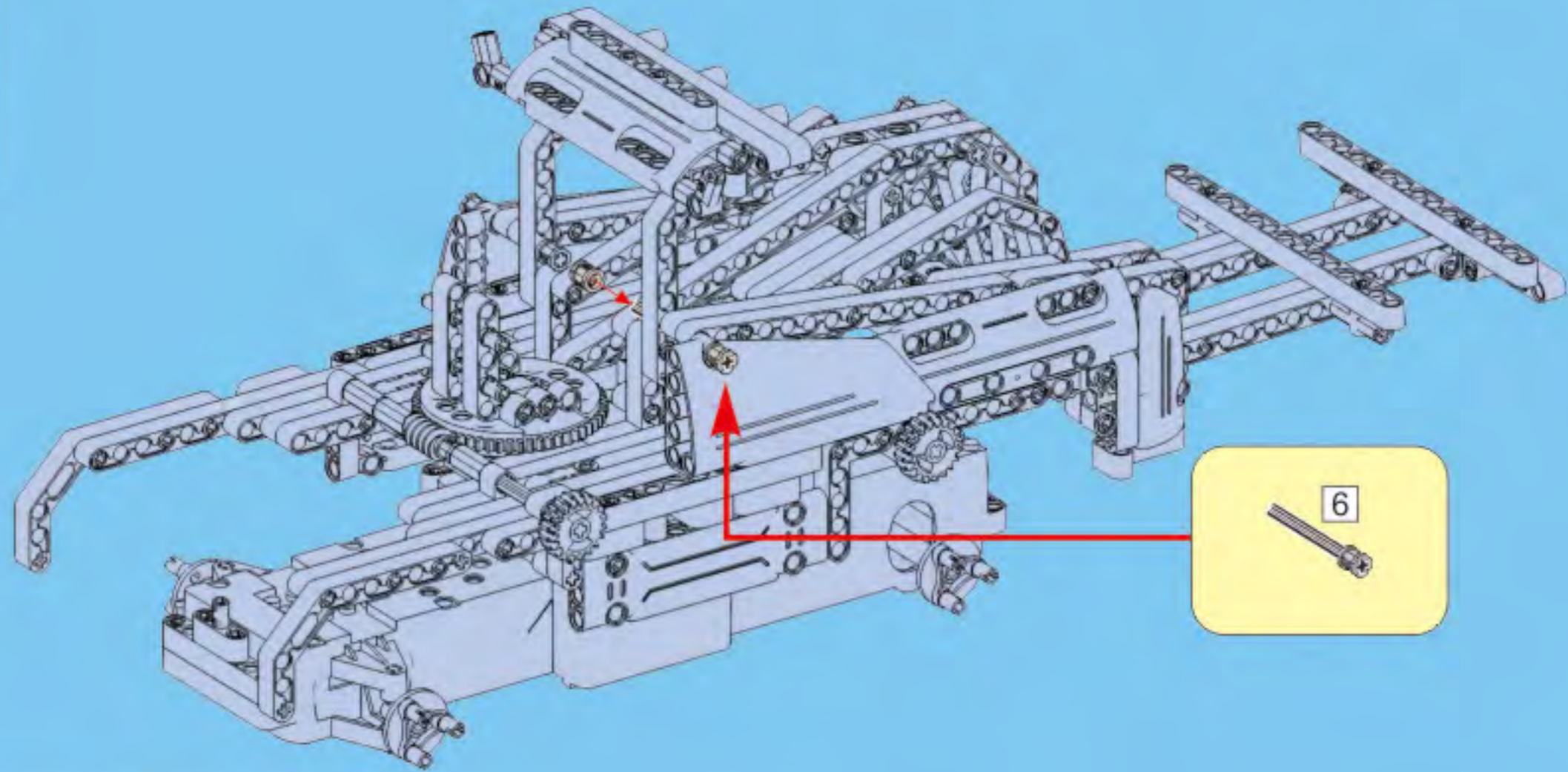


C21

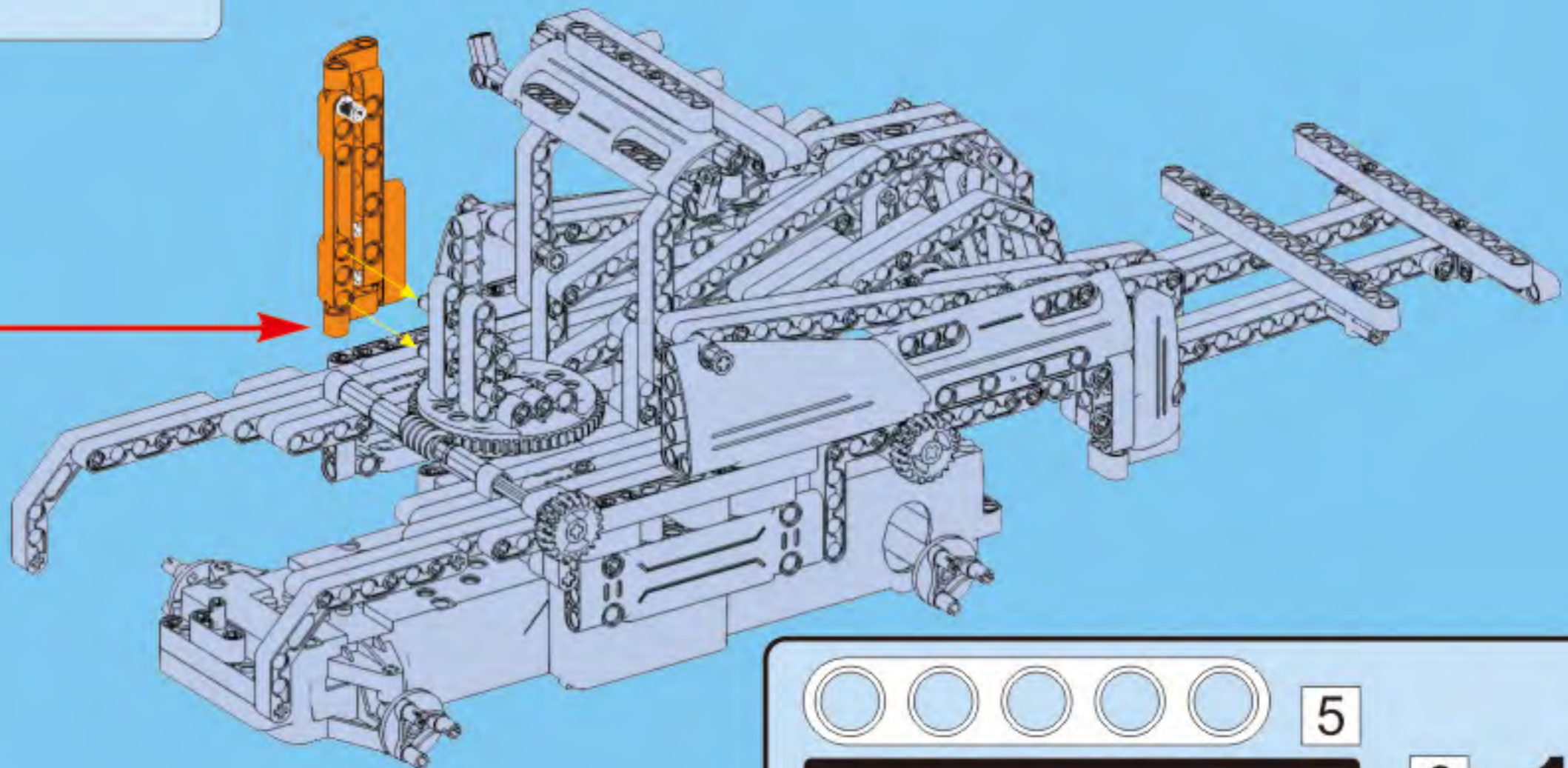
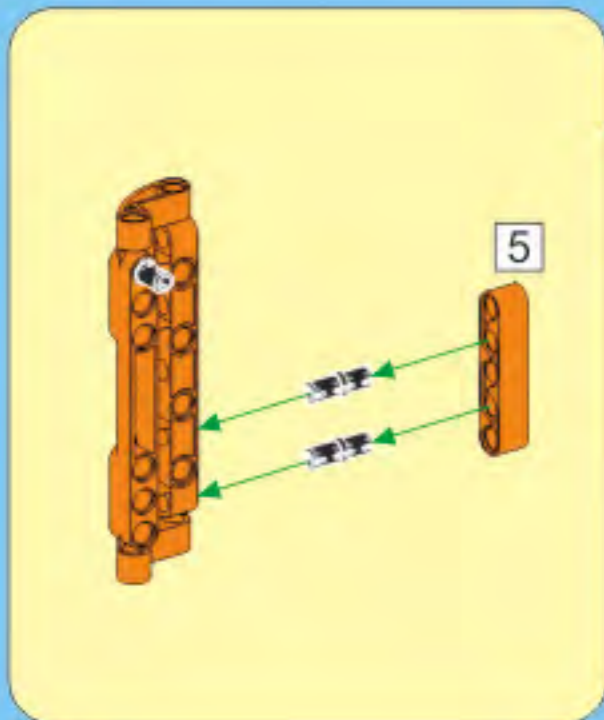


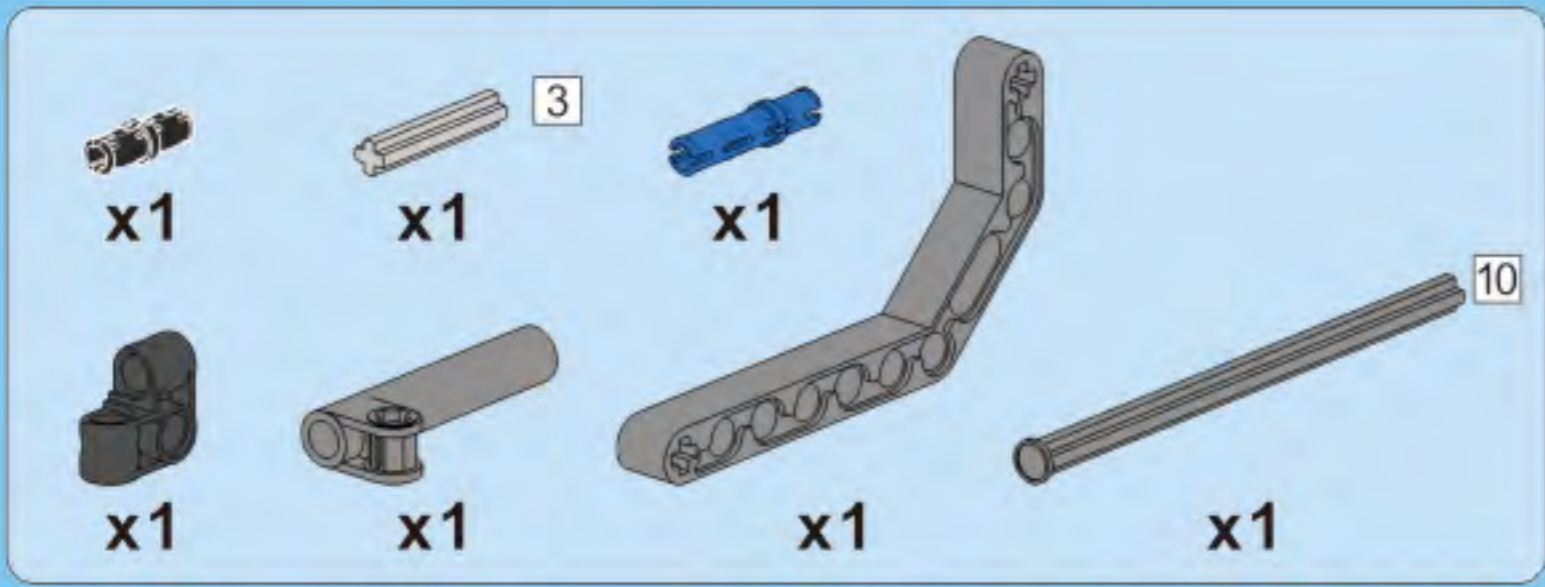


C22

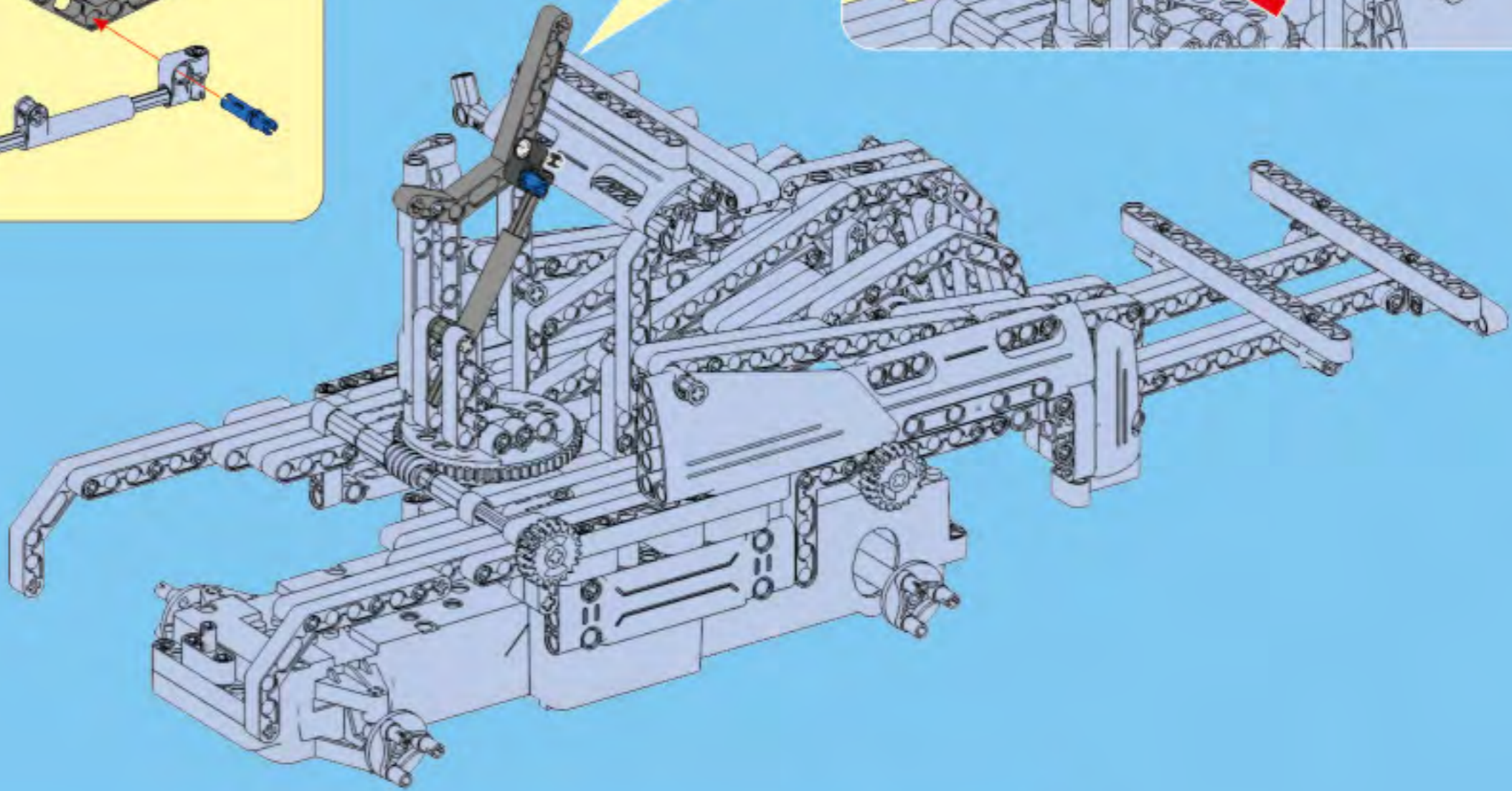
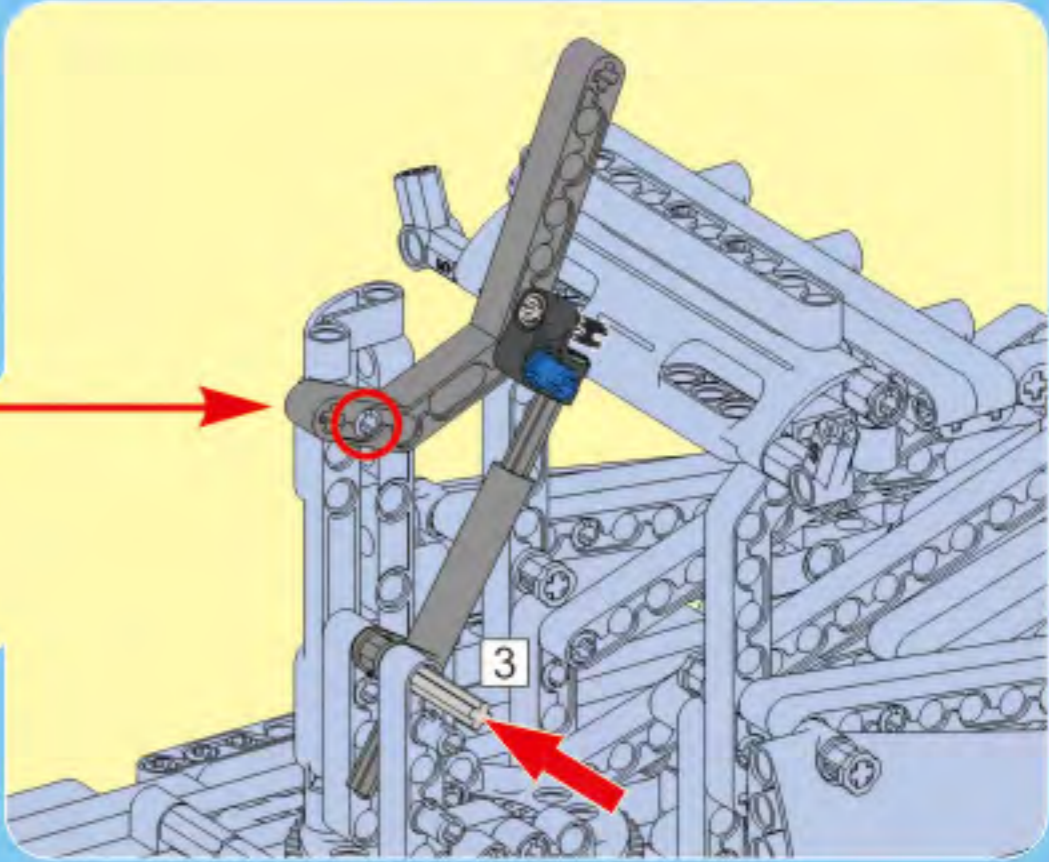
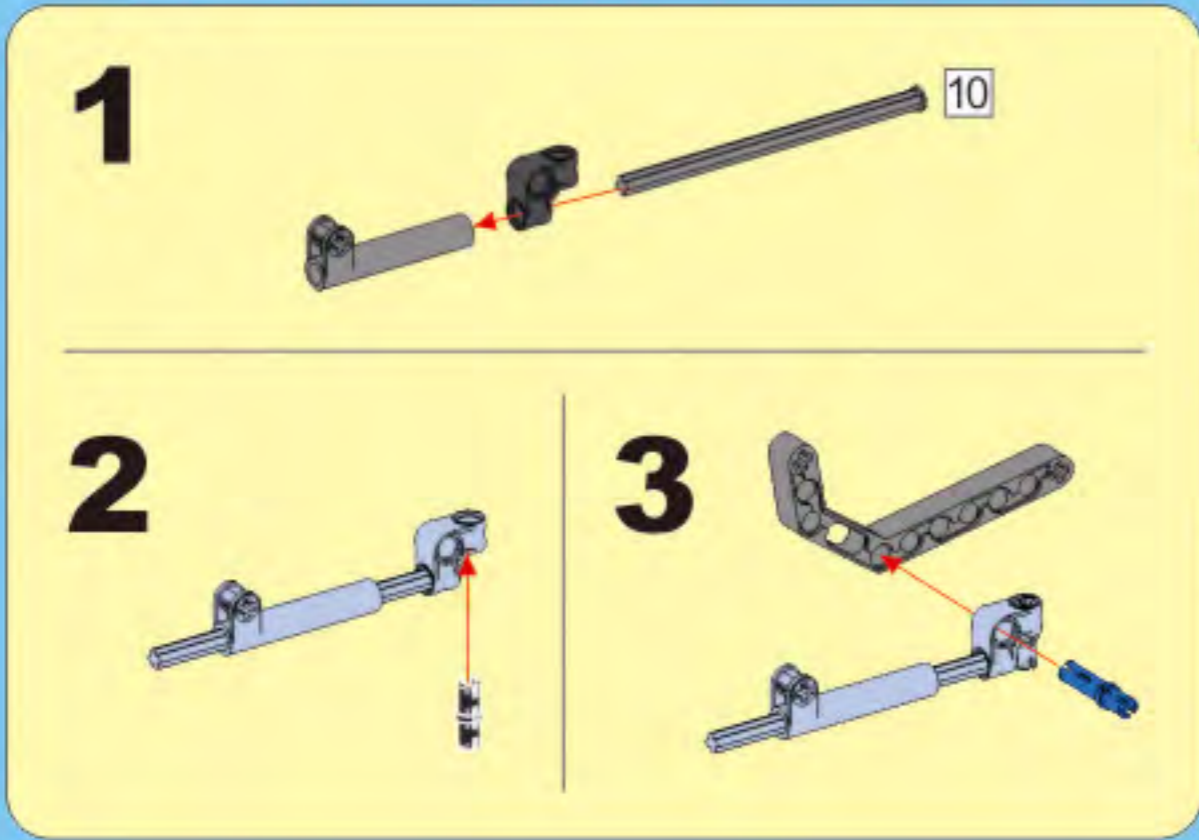


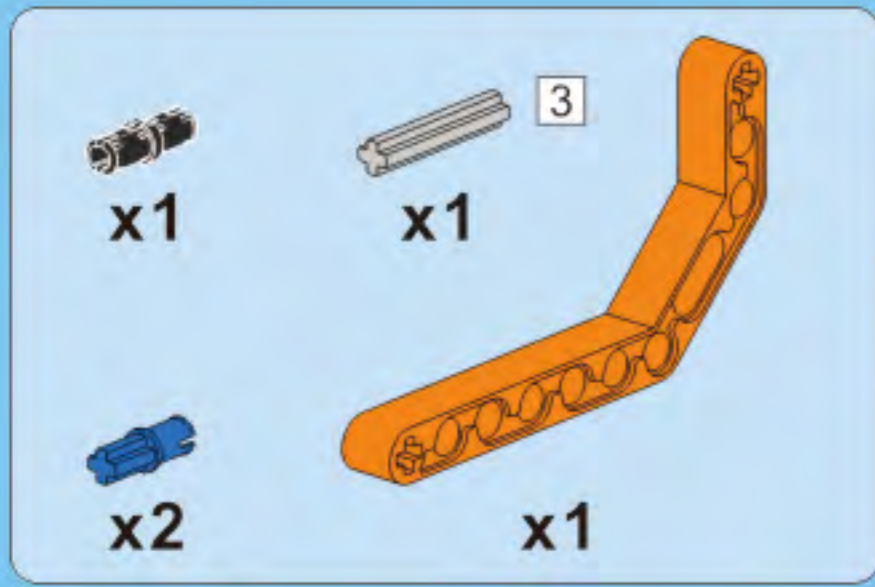
C23



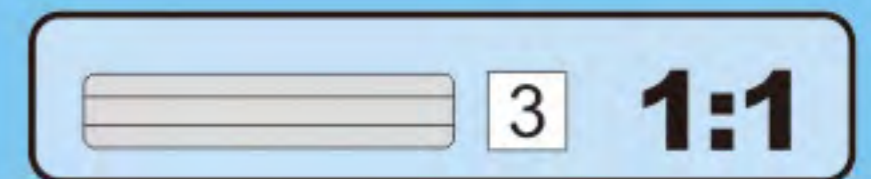
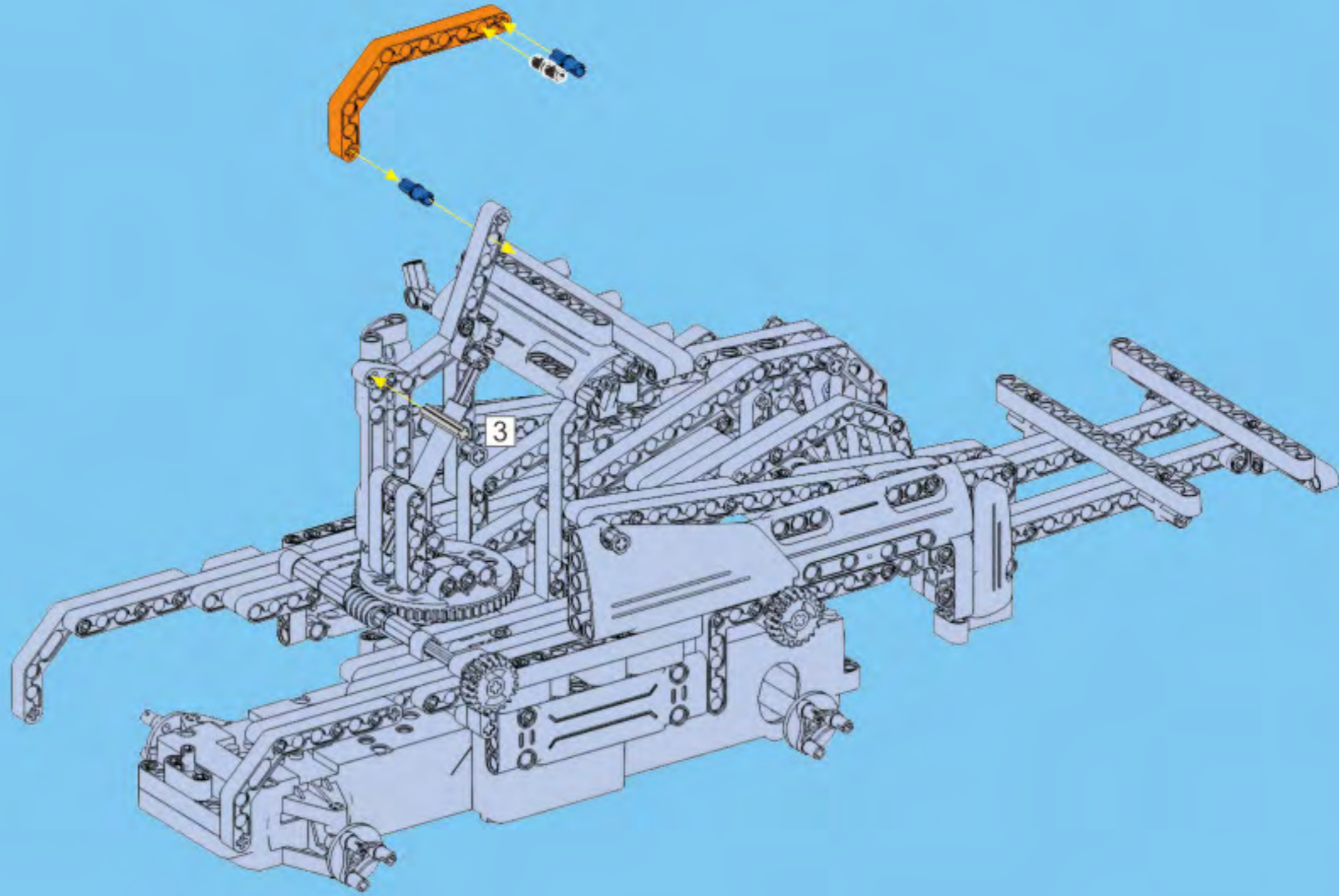


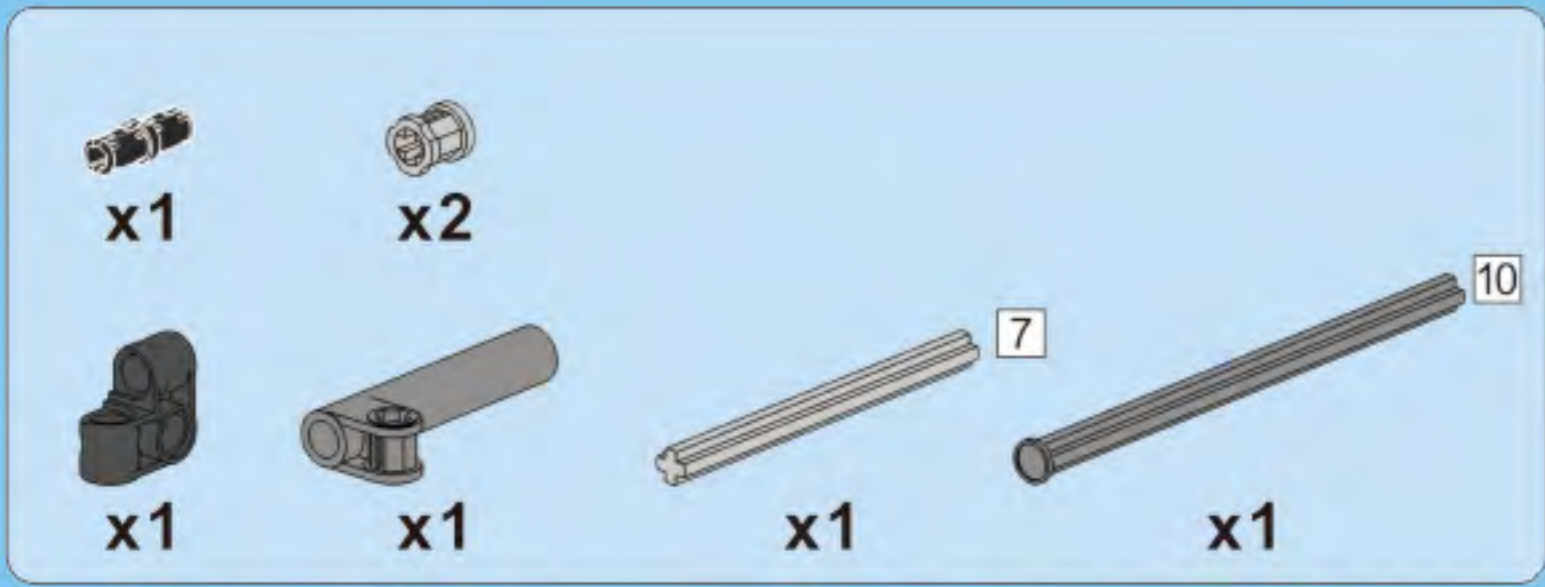
C24



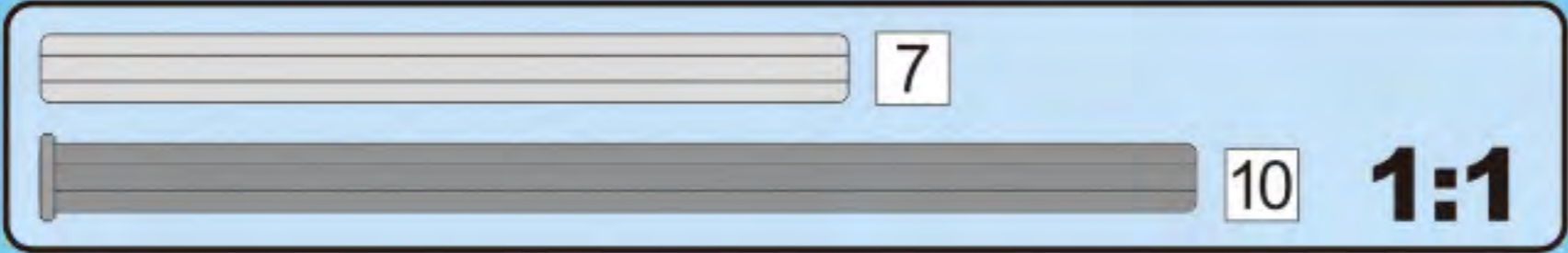
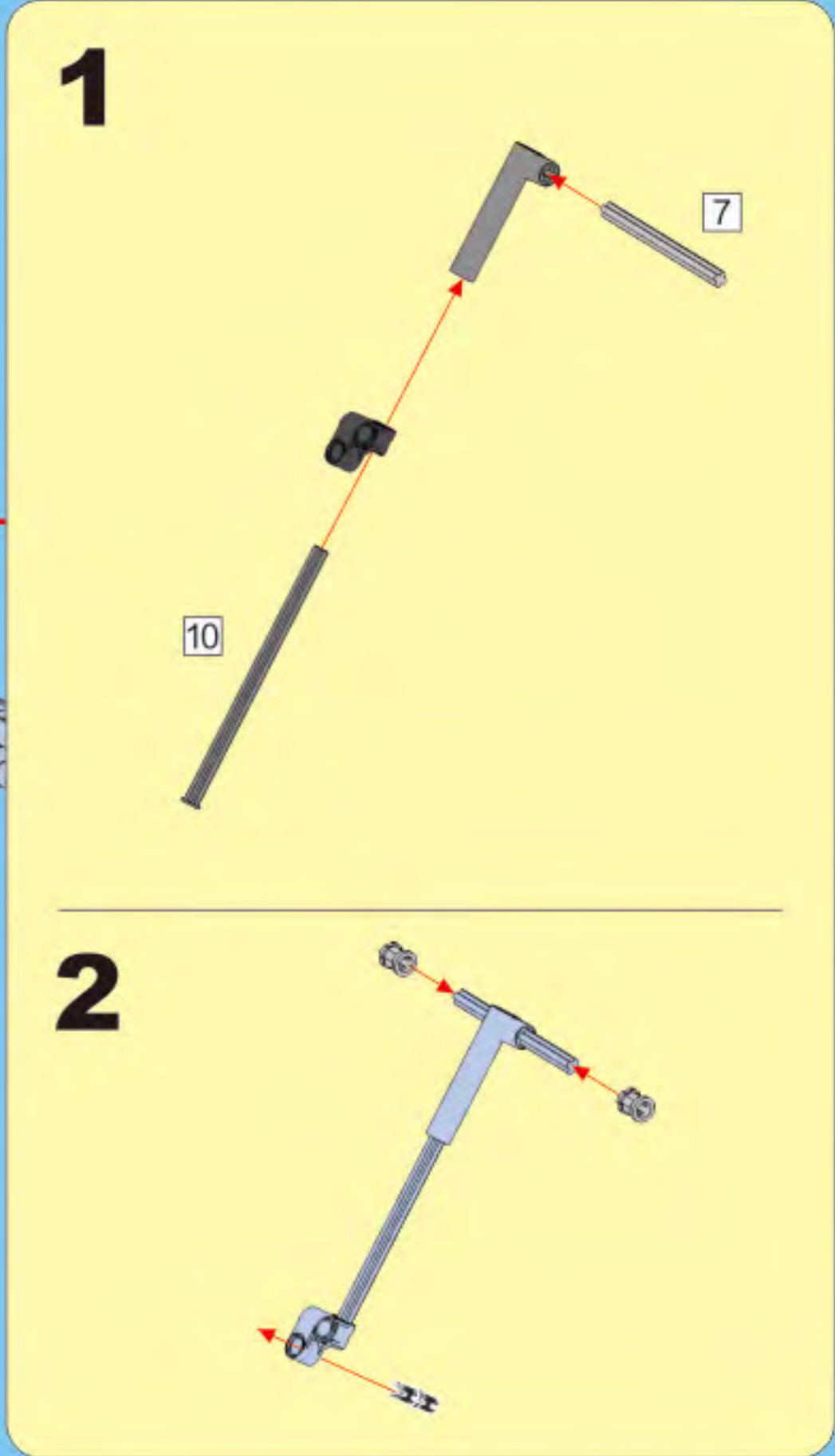
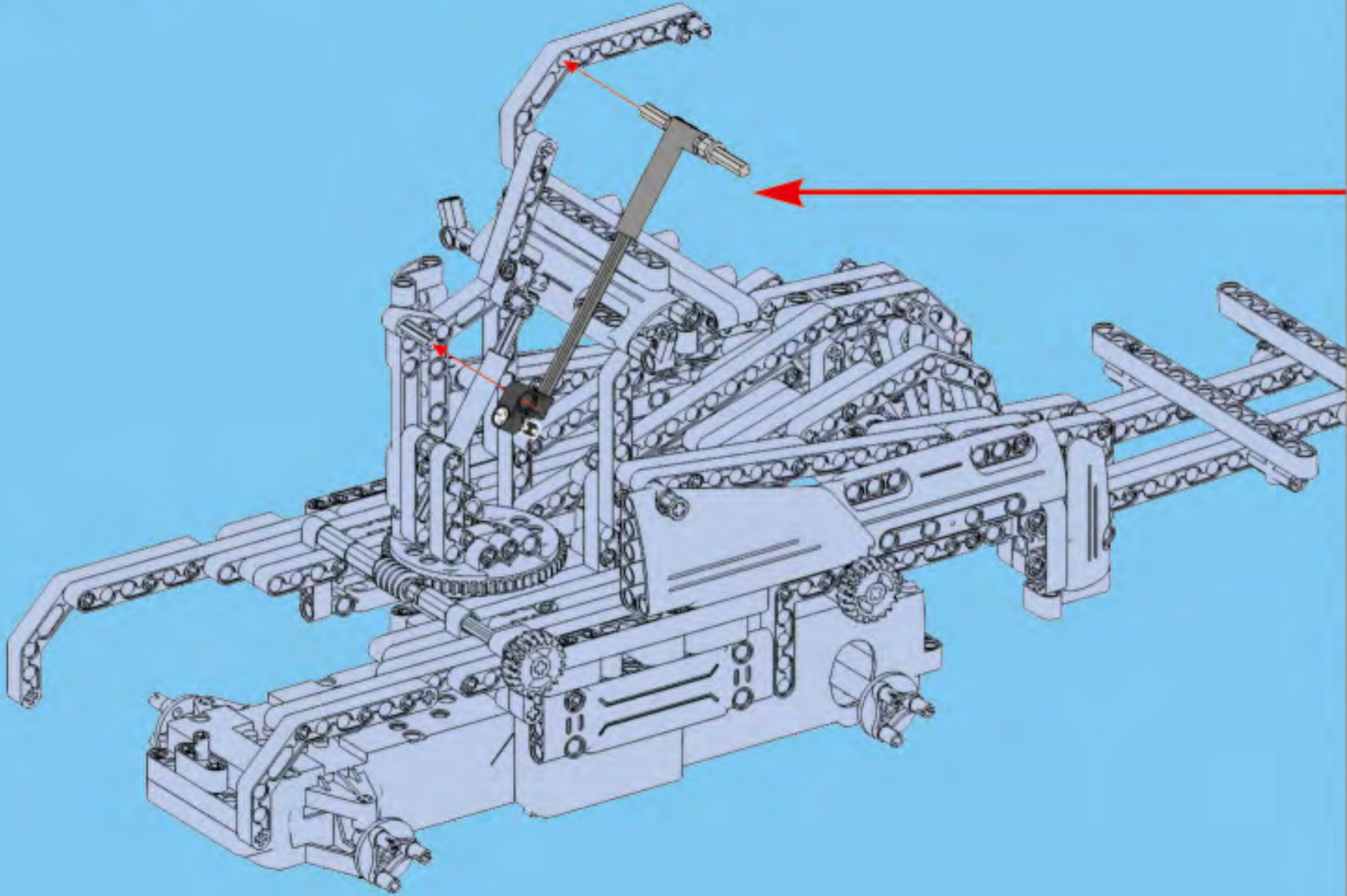


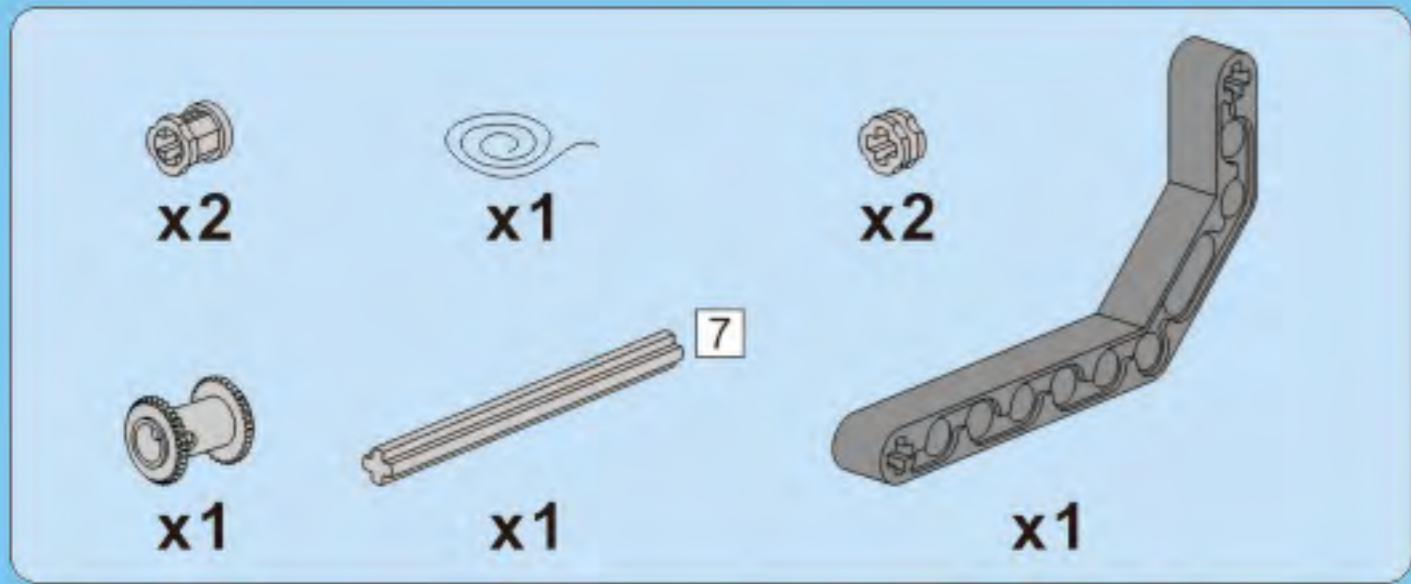
C25



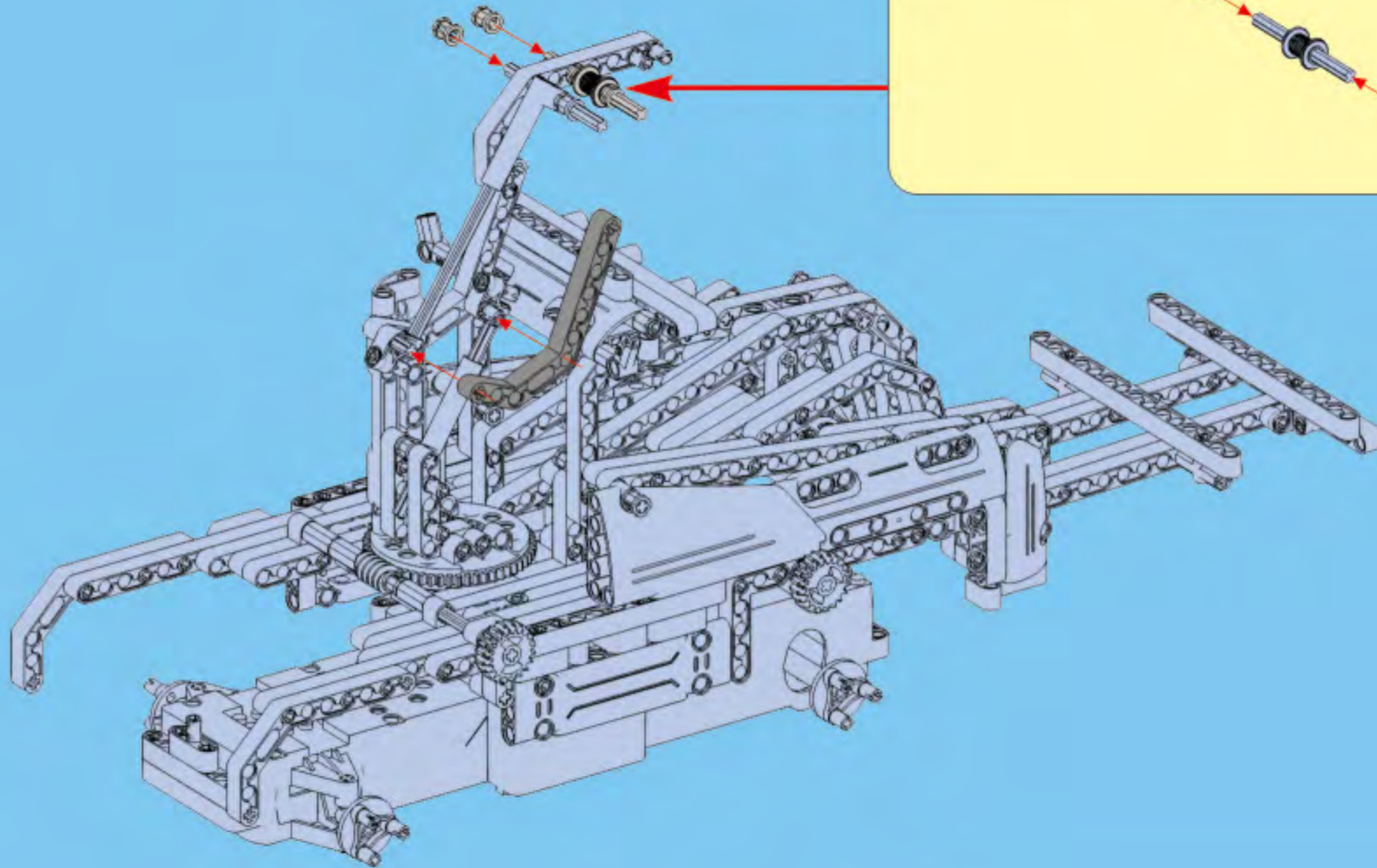
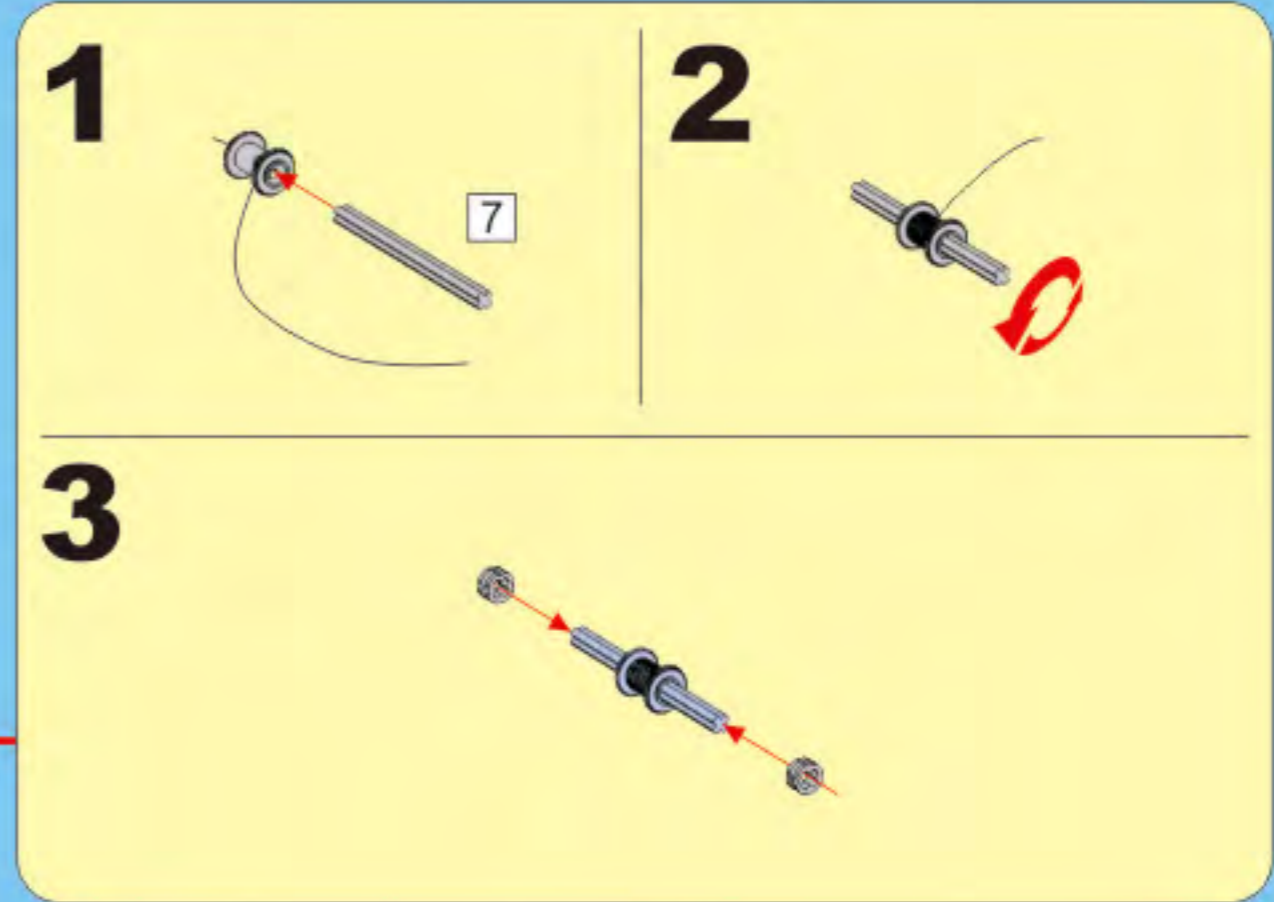


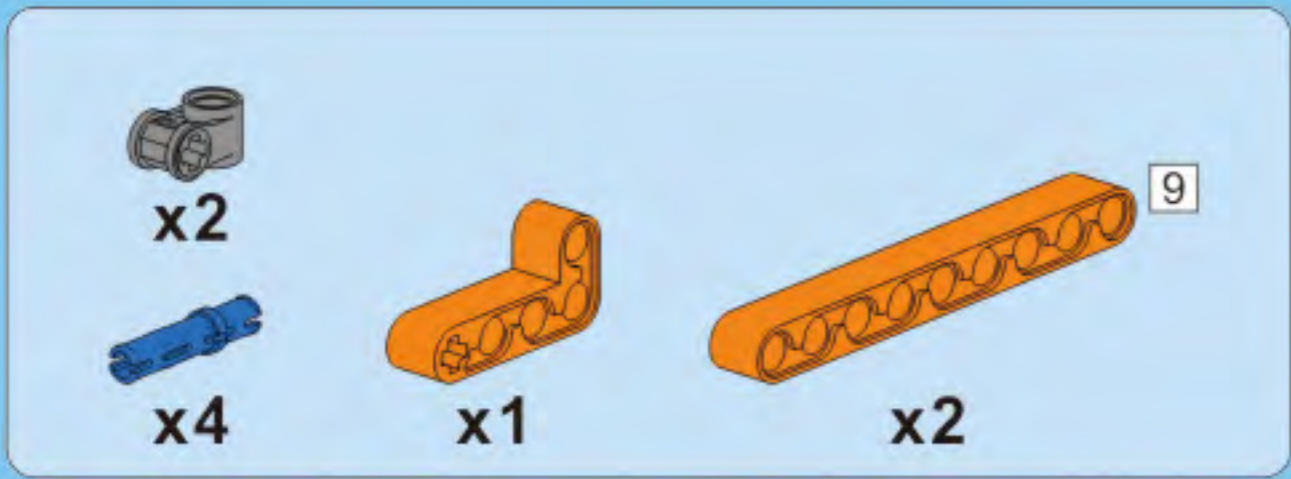
C26



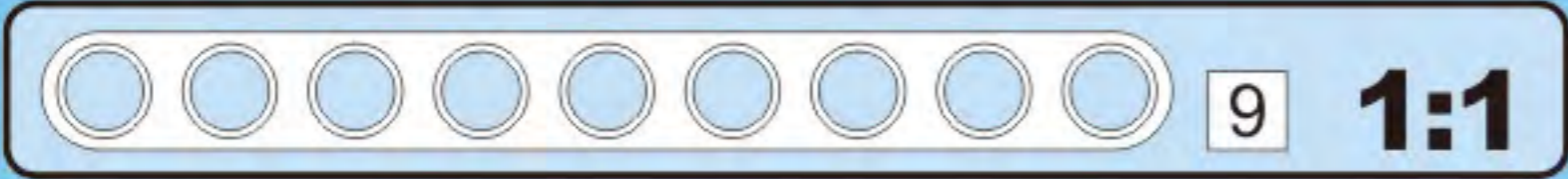
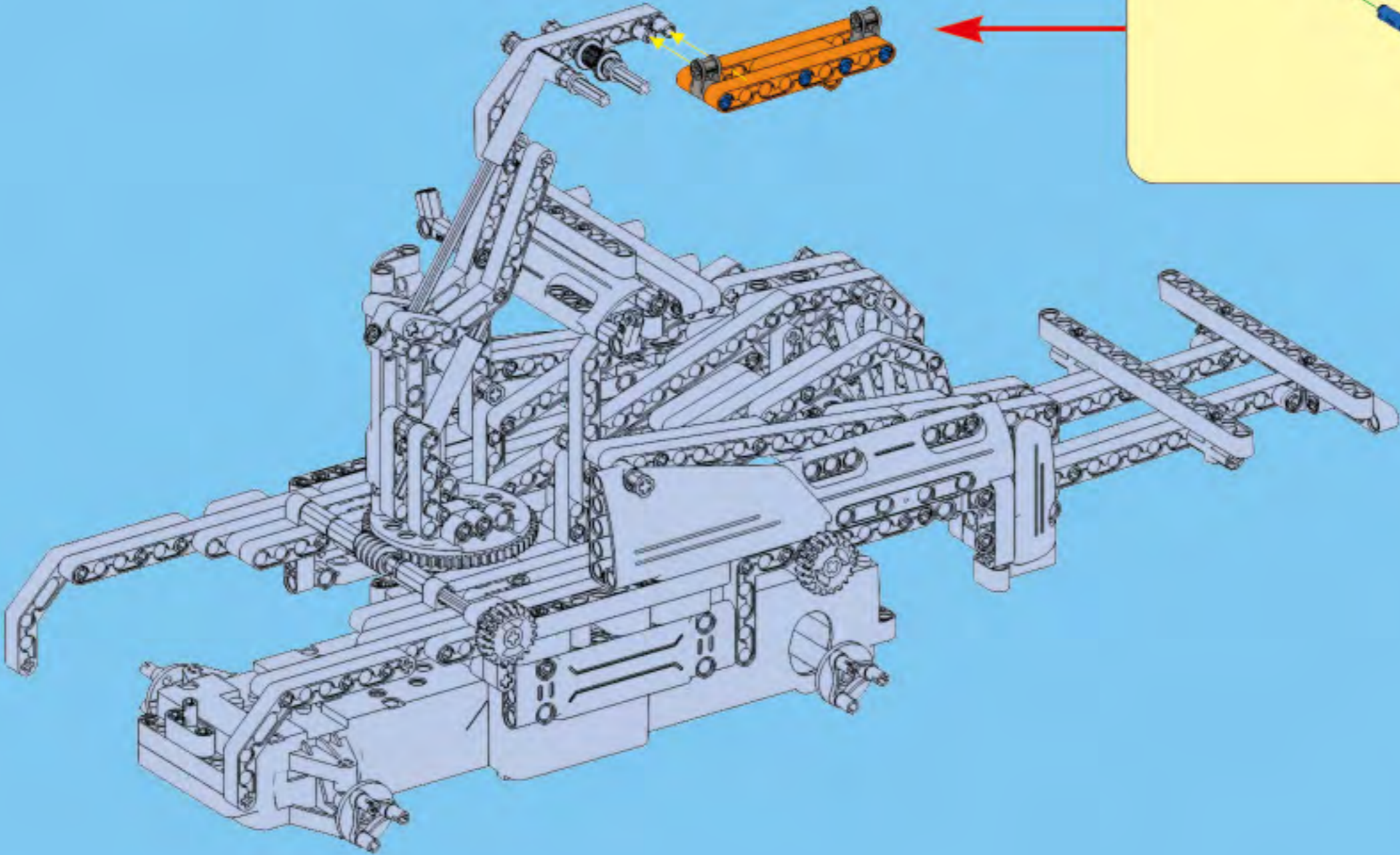
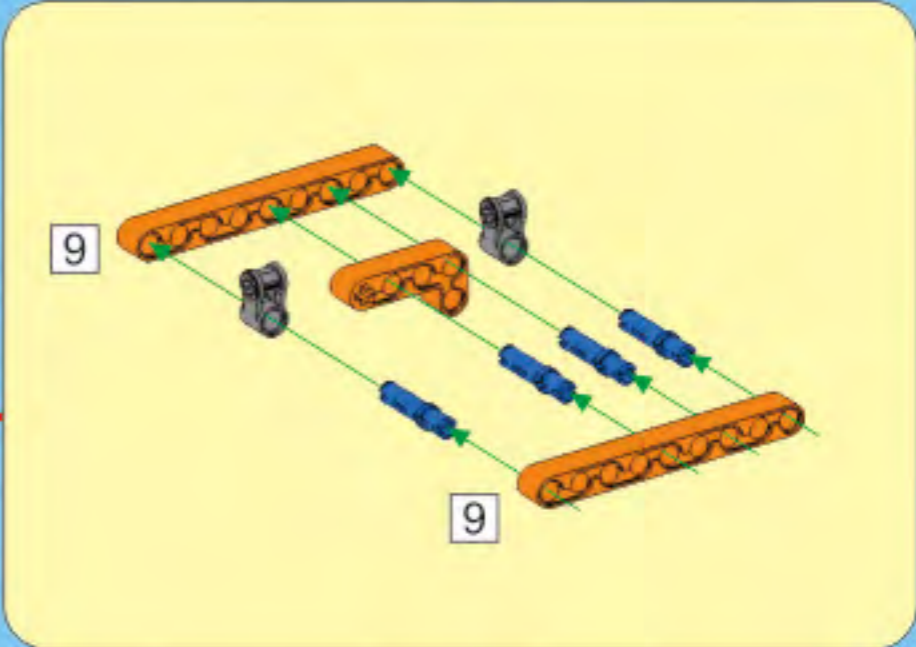


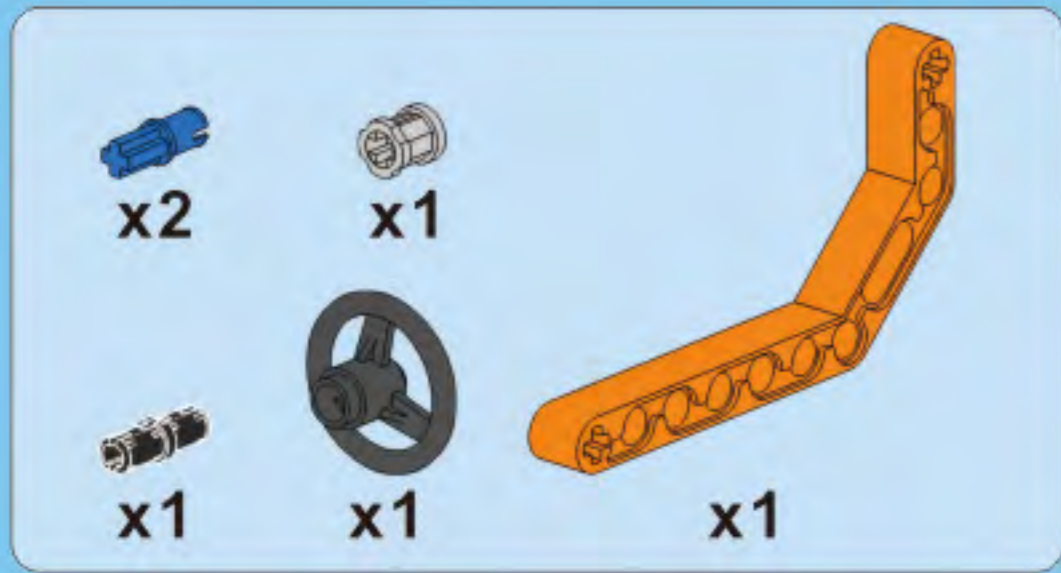
C27



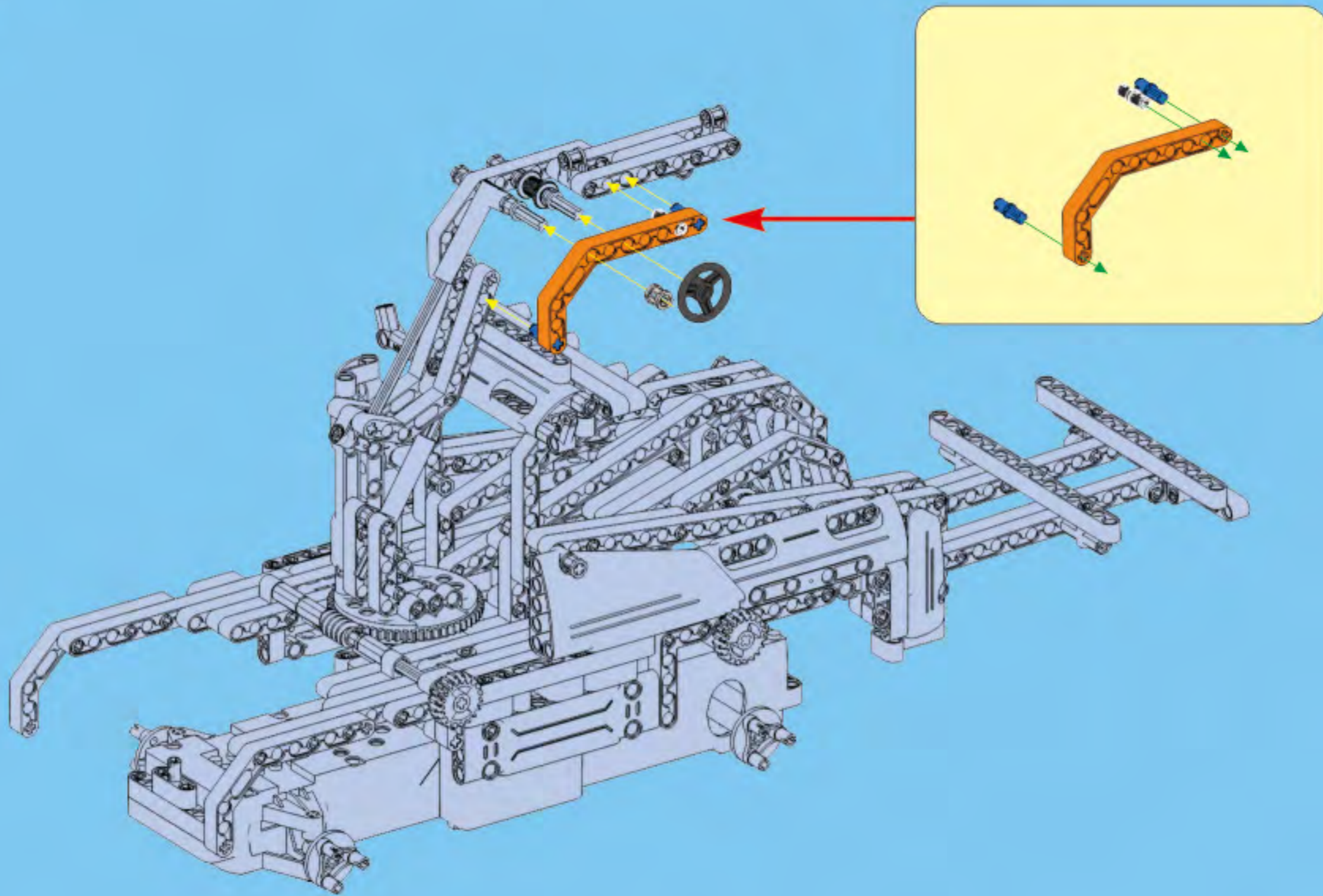


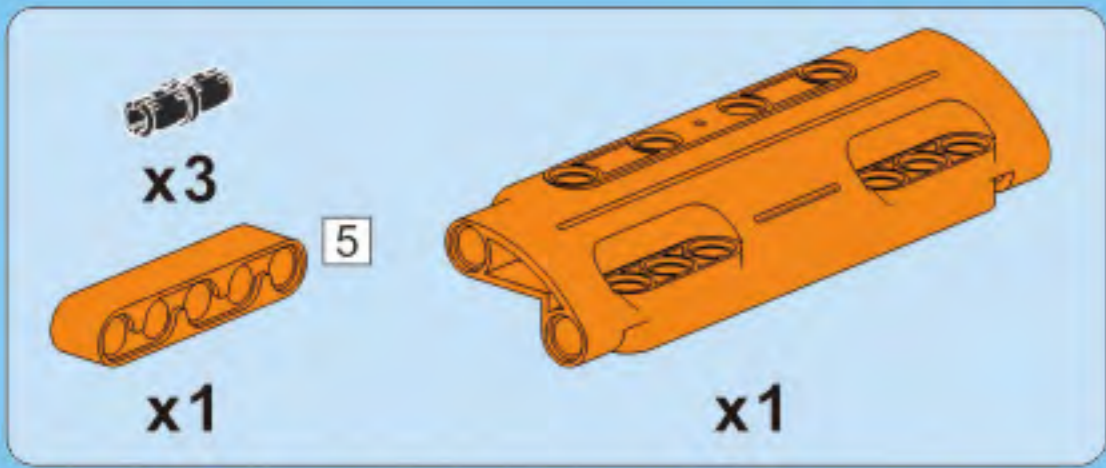
C28



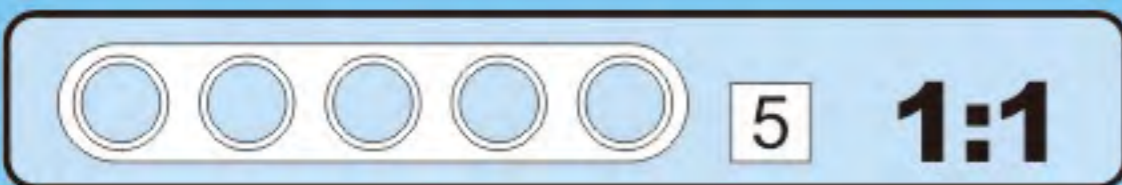
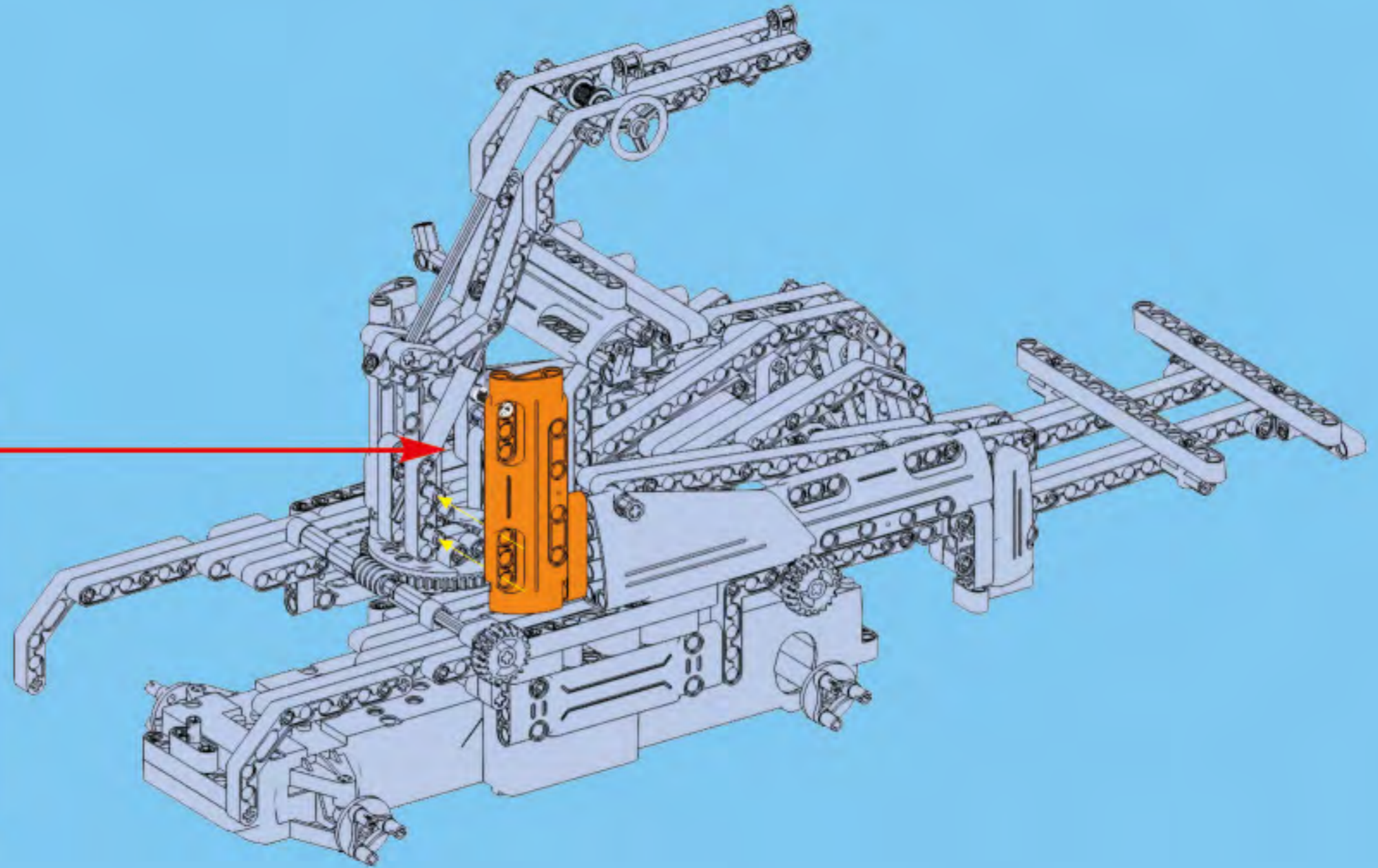
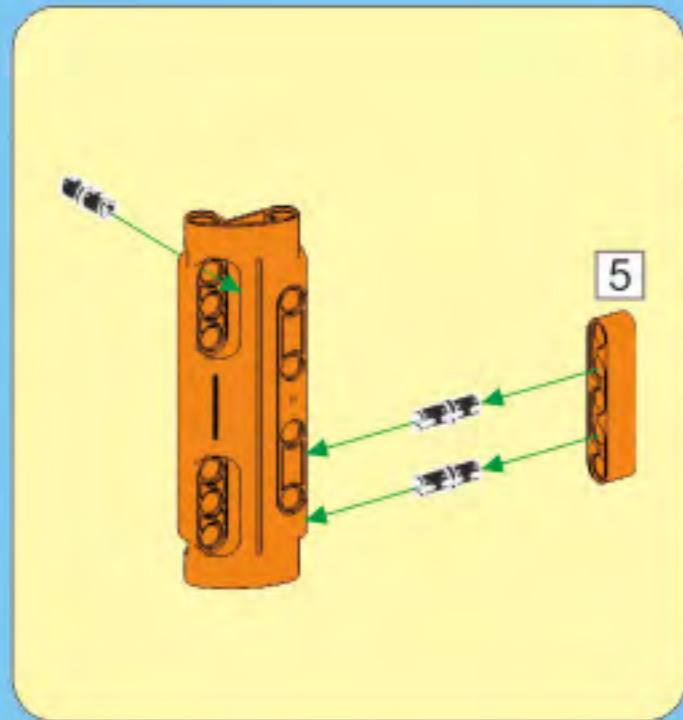


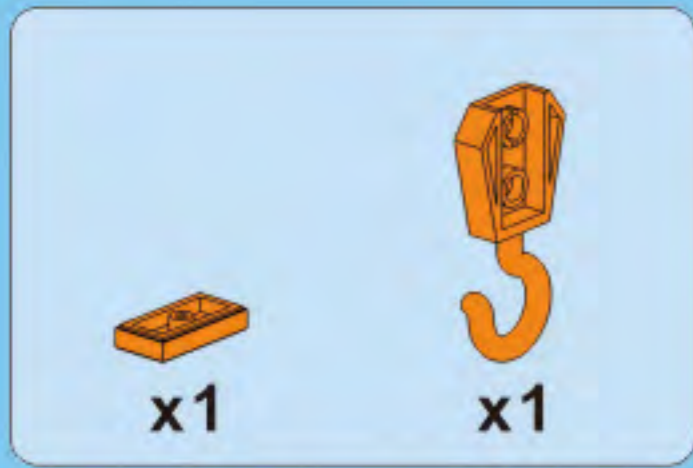
C29



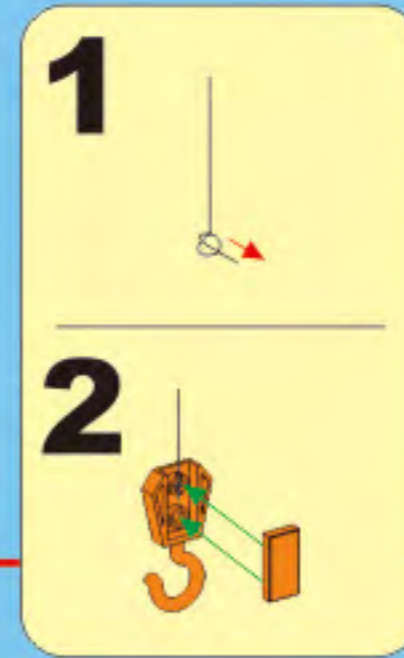
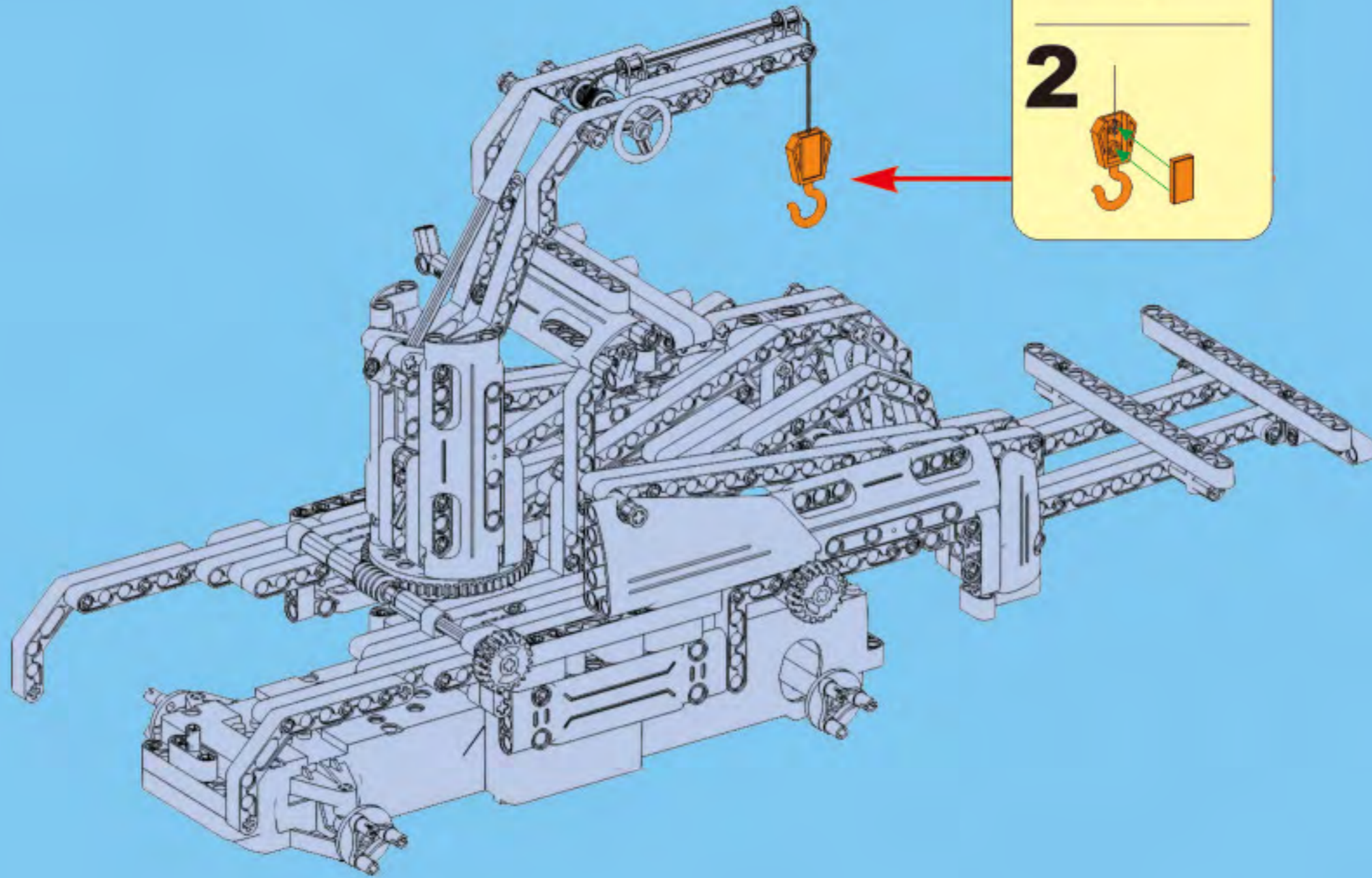


C30

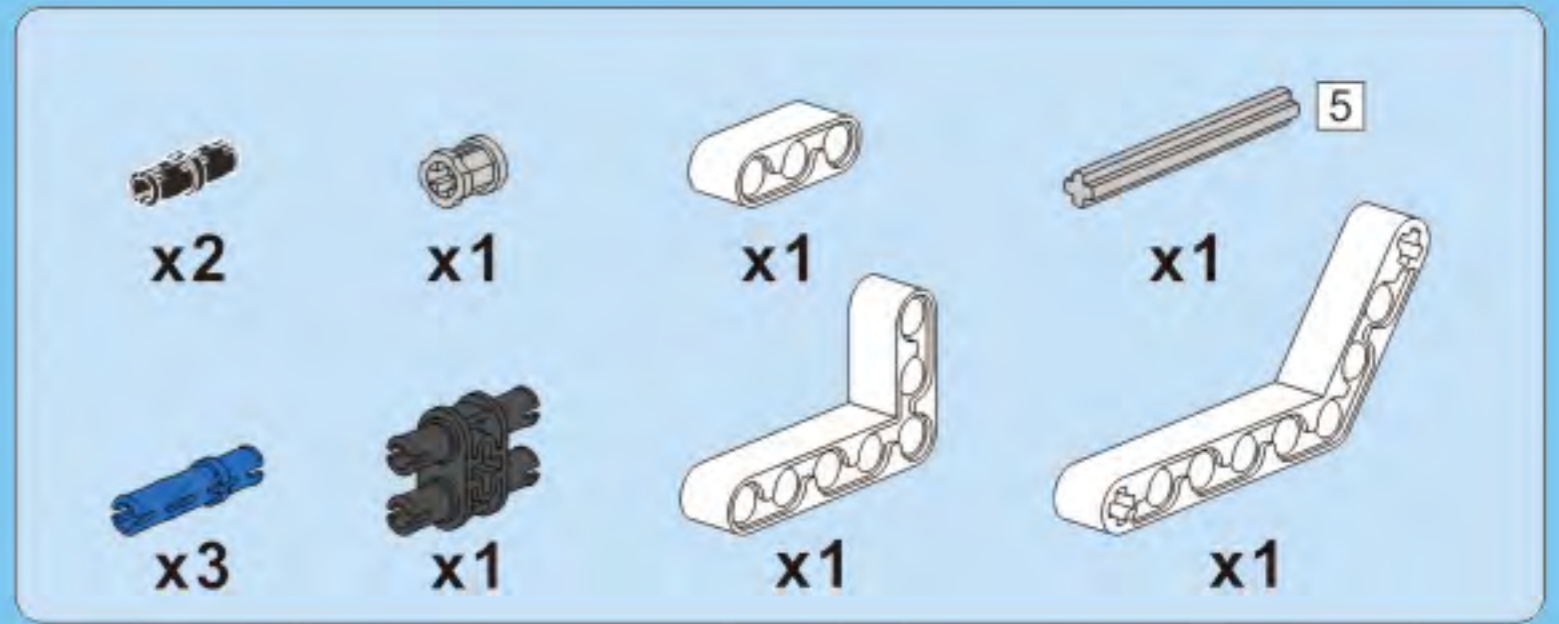
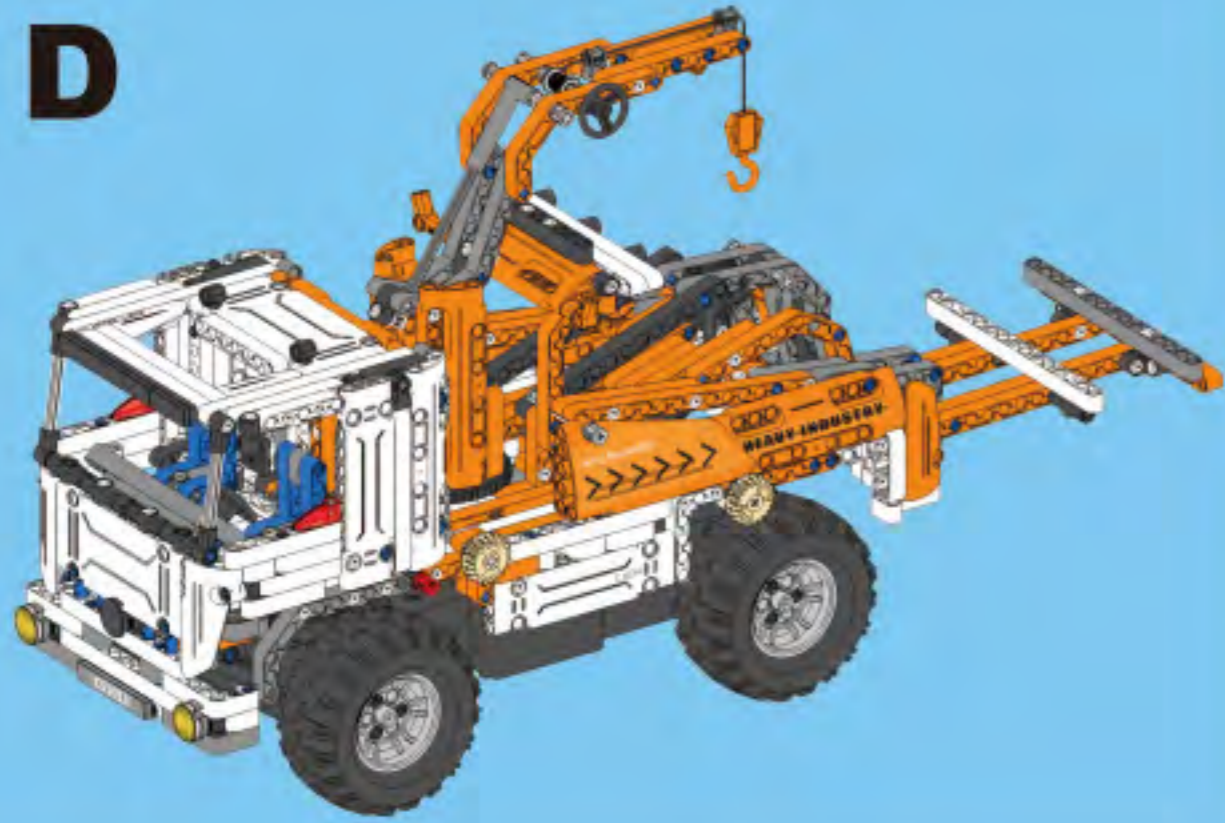




C31

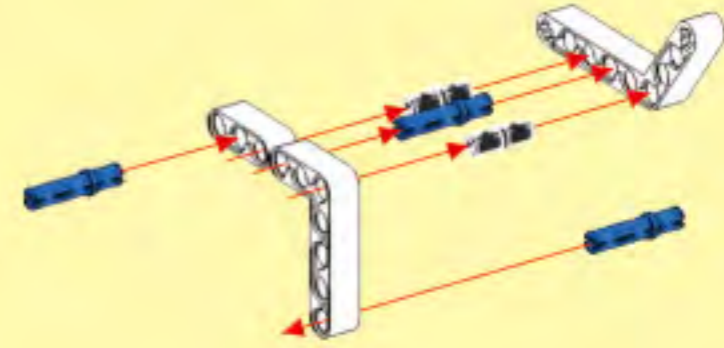


D

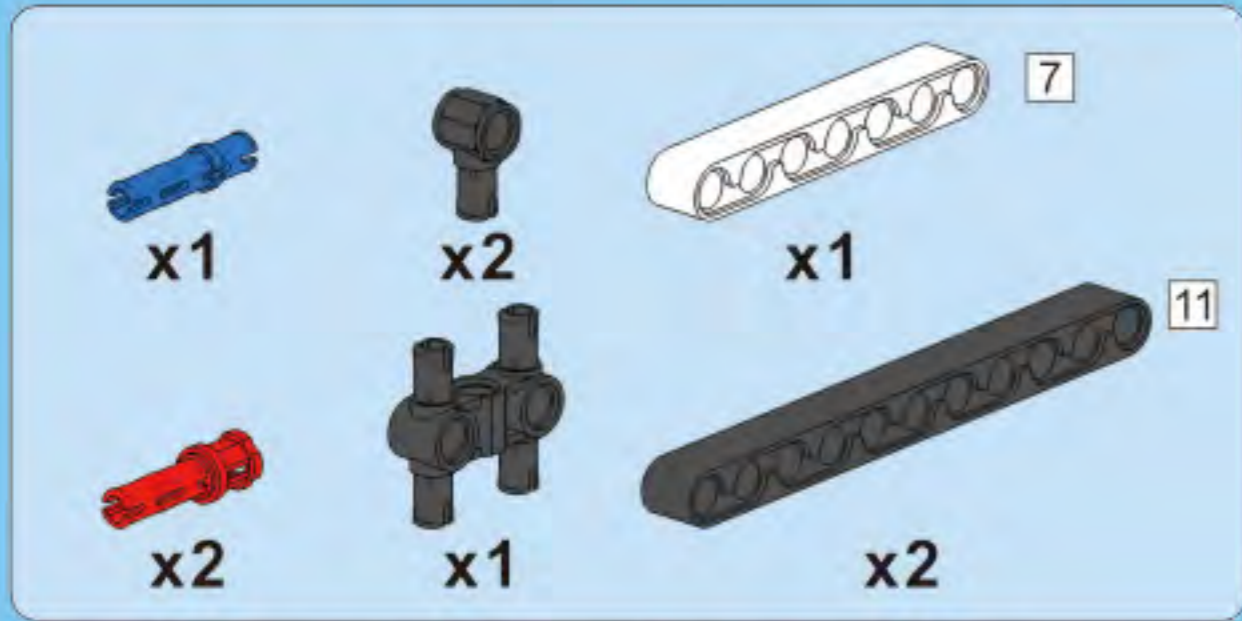
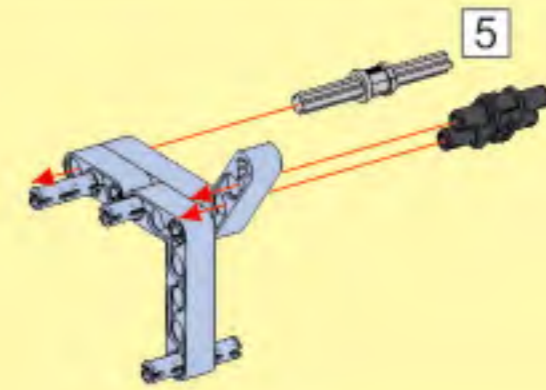


D2

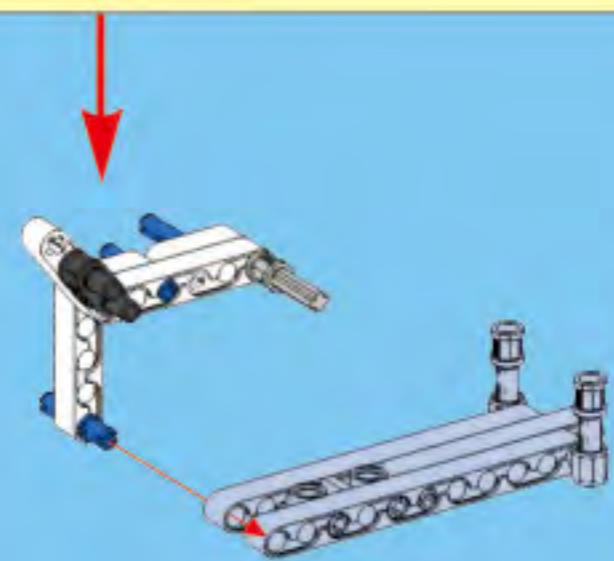
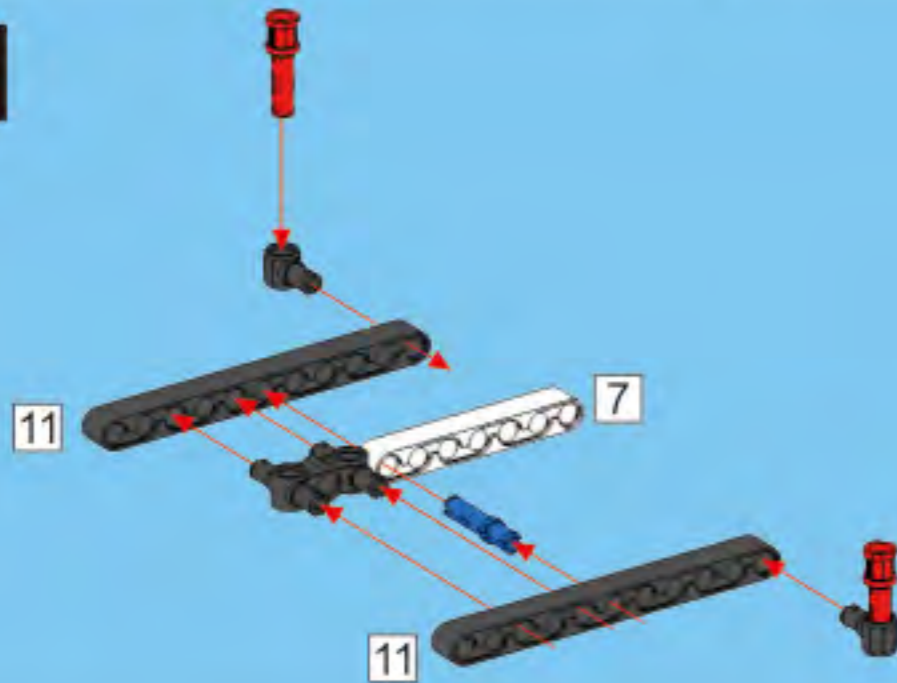
1

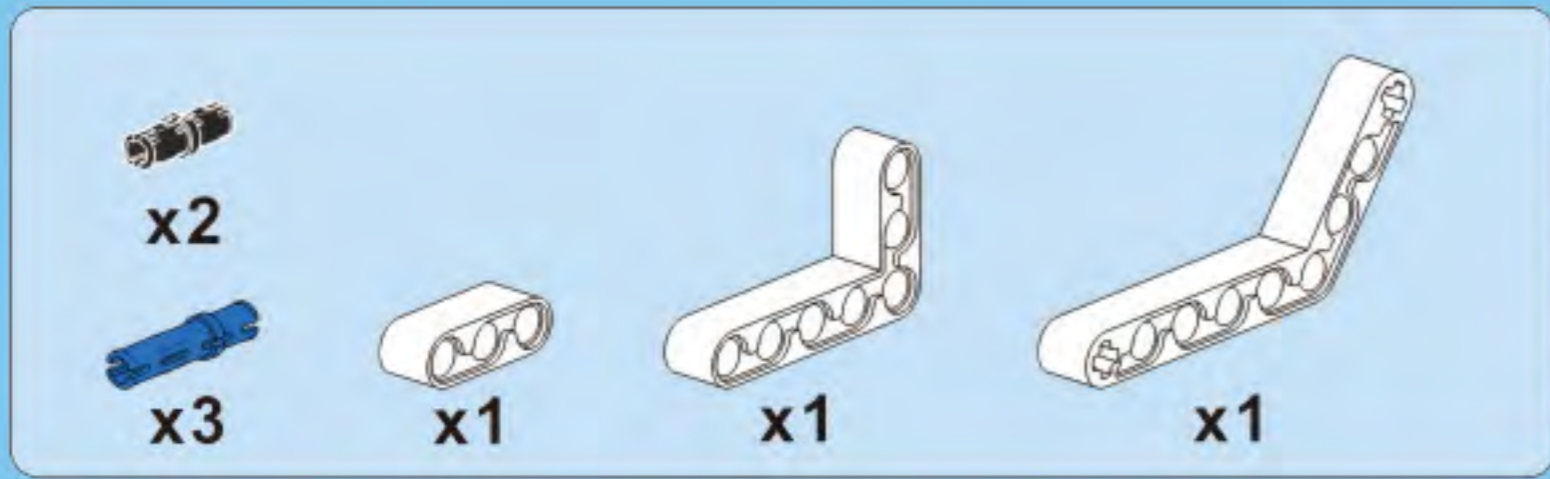


2

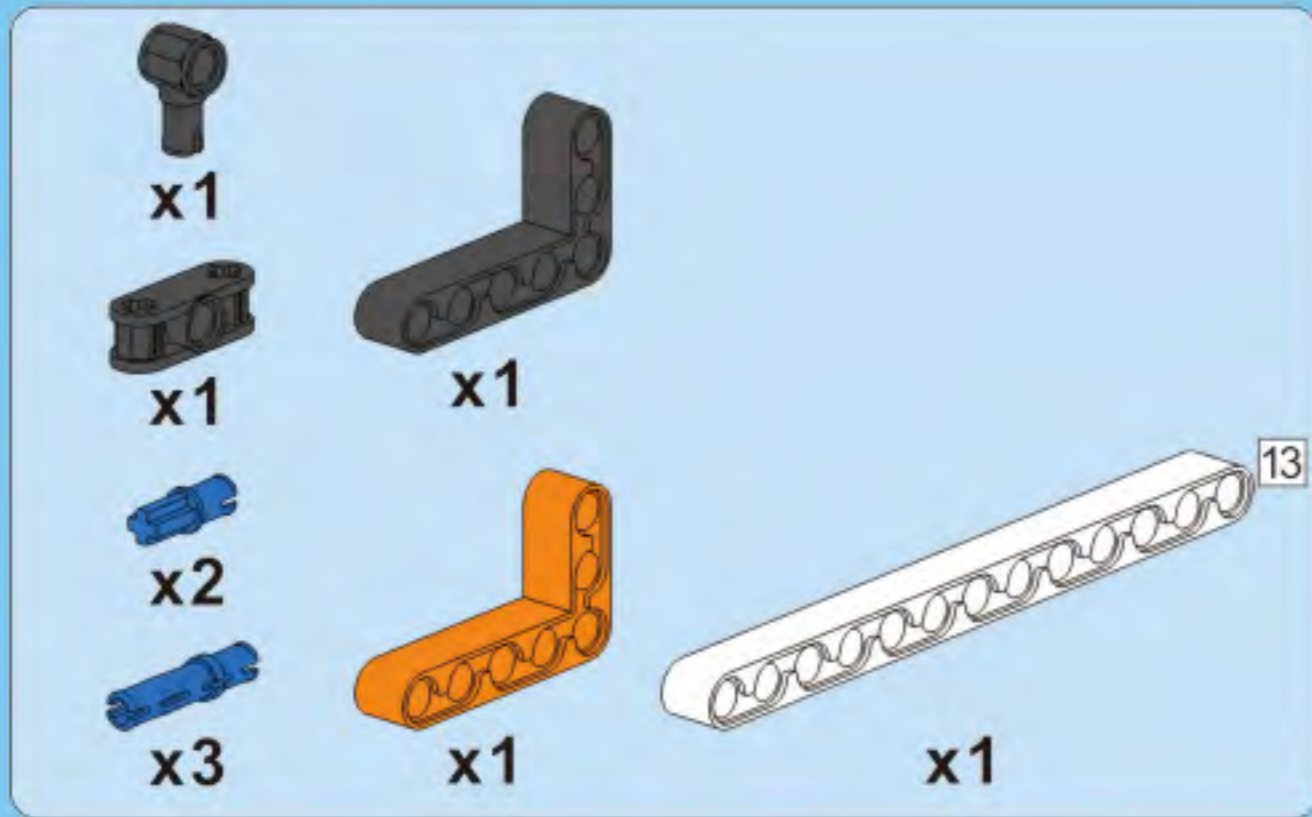
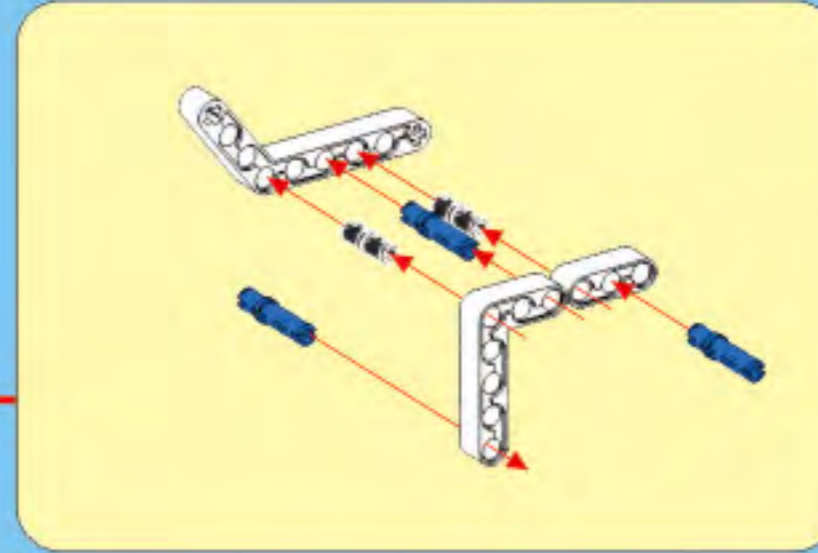
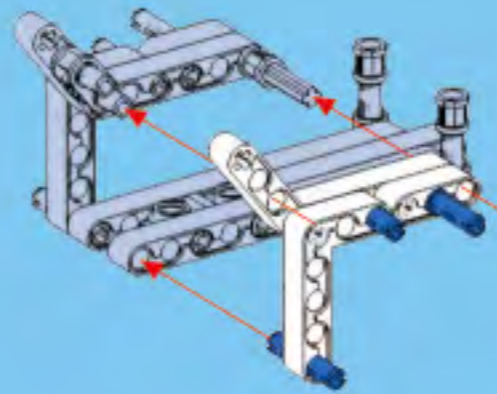


D1

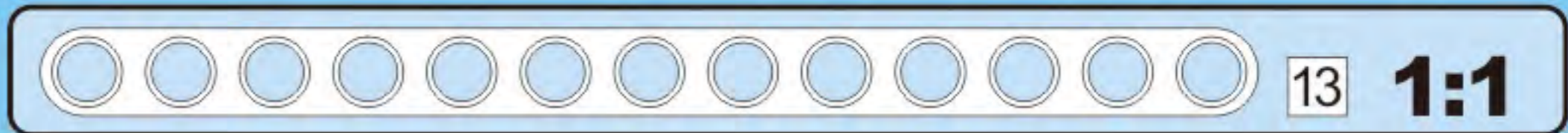
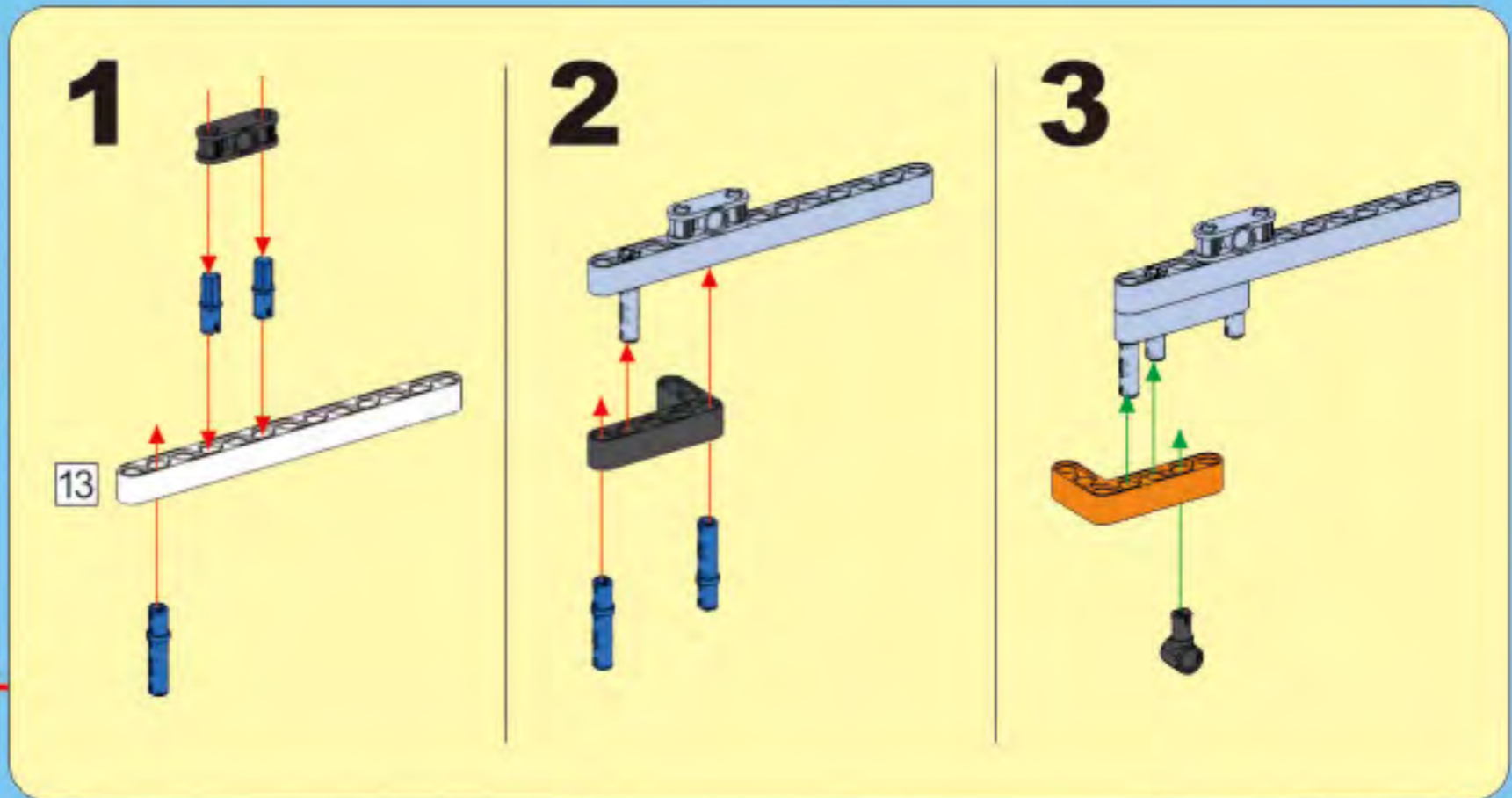
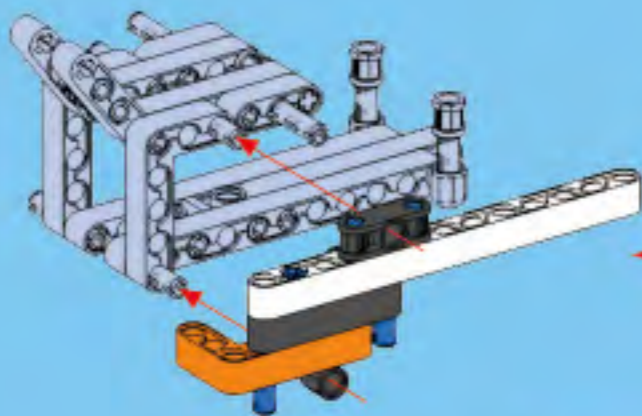


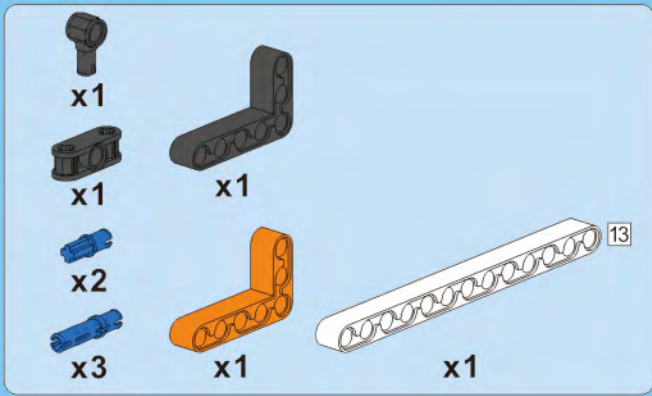


D3

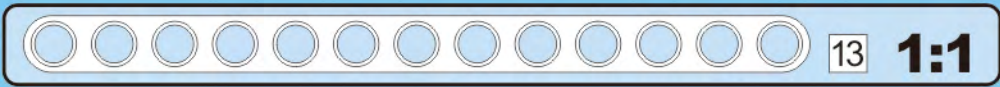
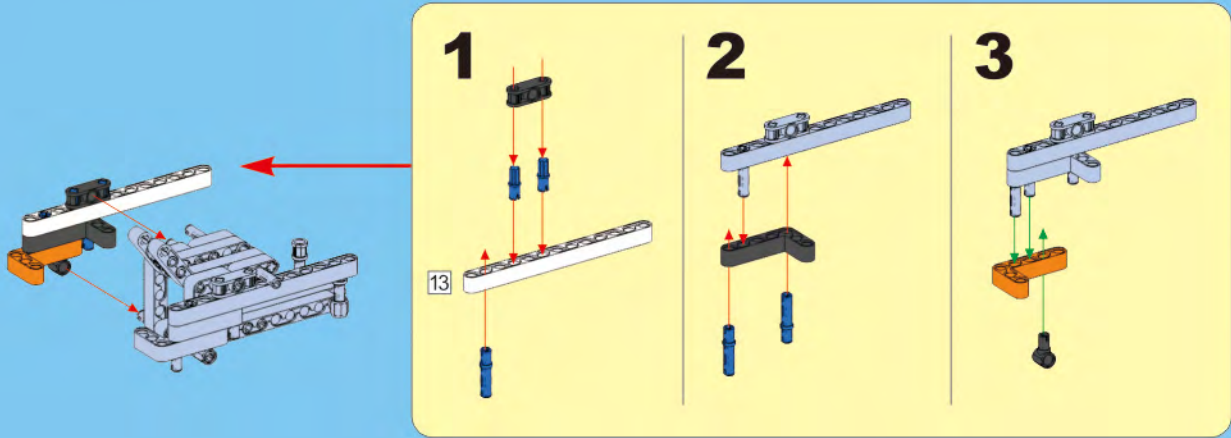


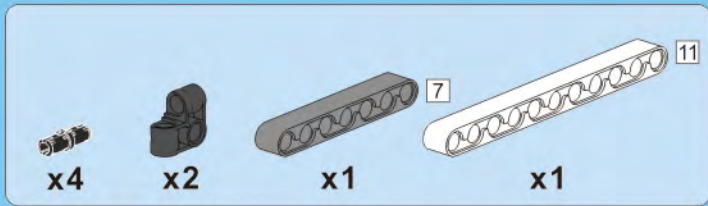
D4



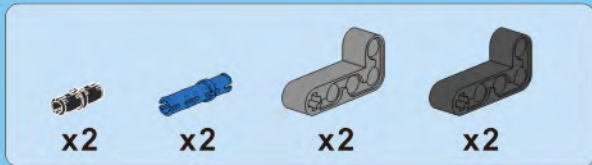
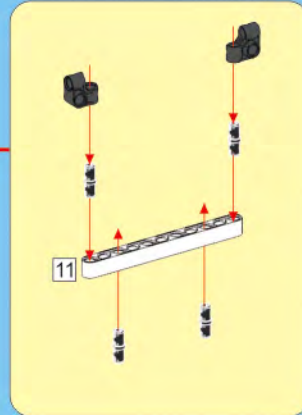
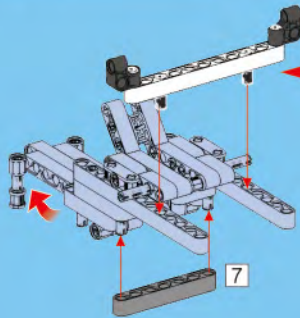


D5

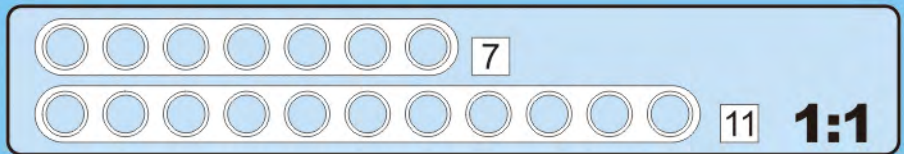
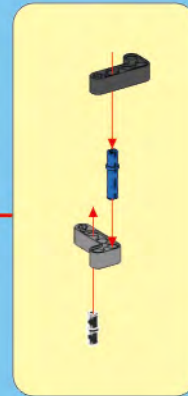
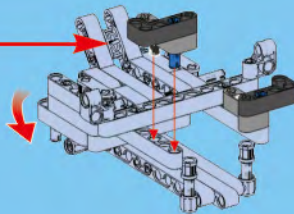
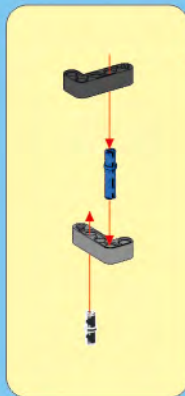


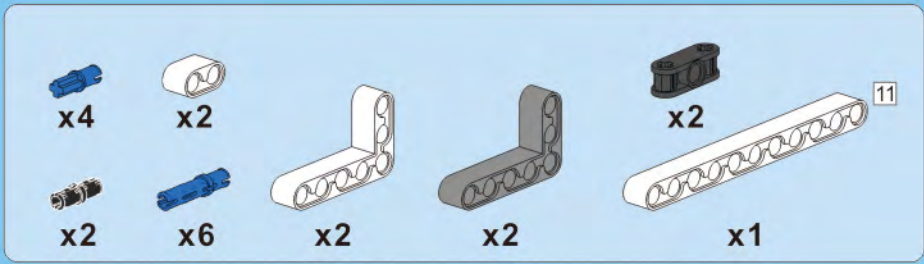


D6

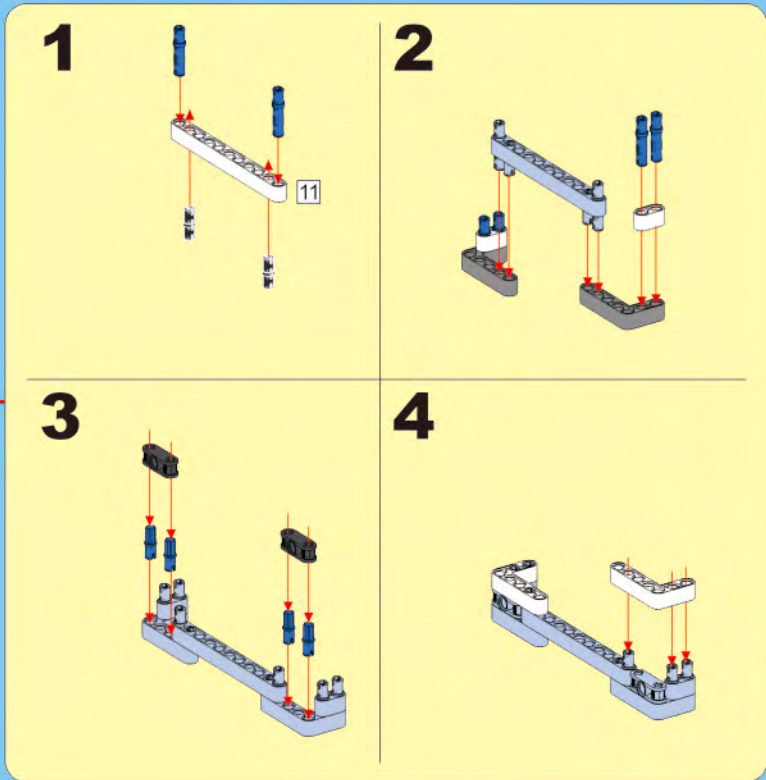
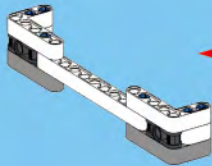


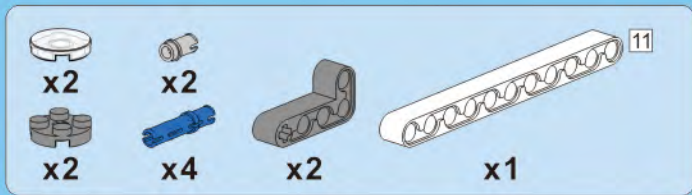
D7



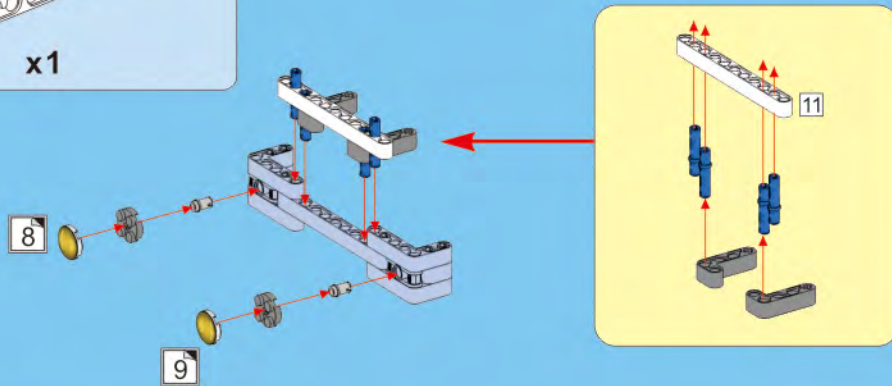


D8

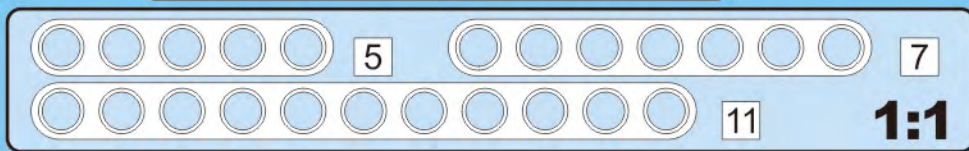
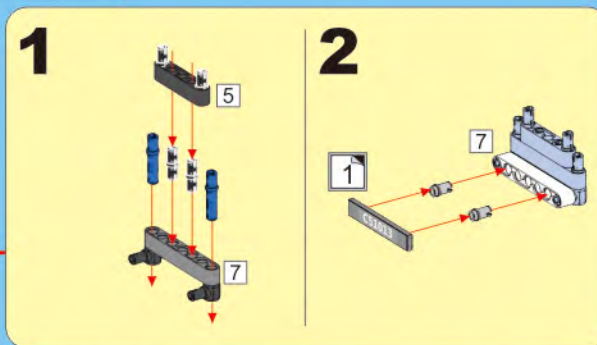
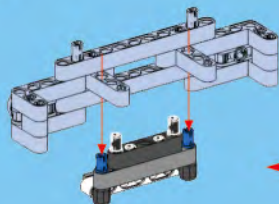




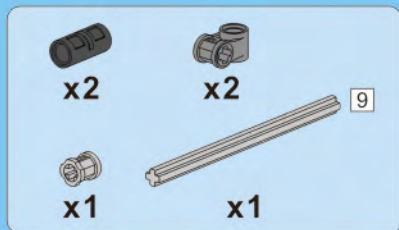
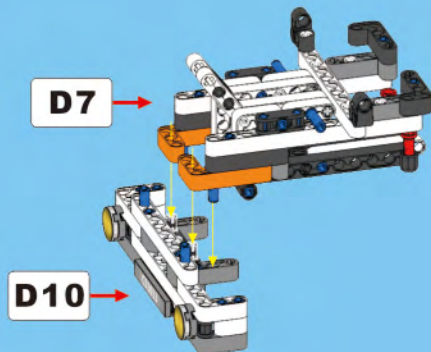
D9



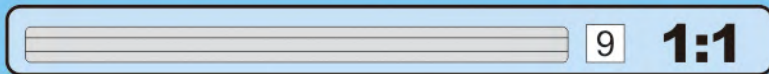
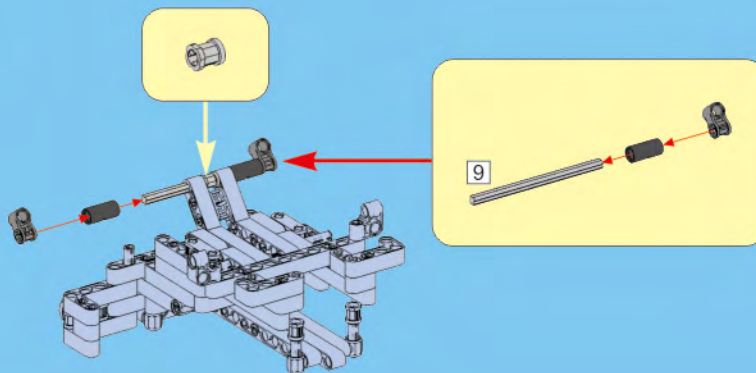
D10

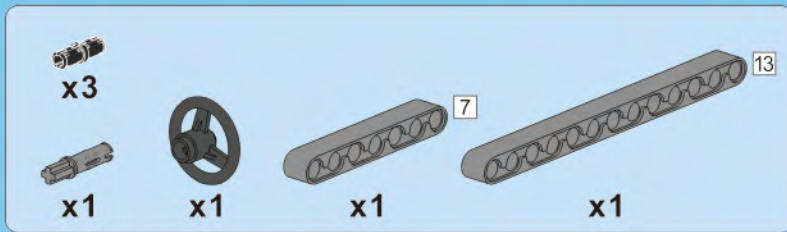


D11

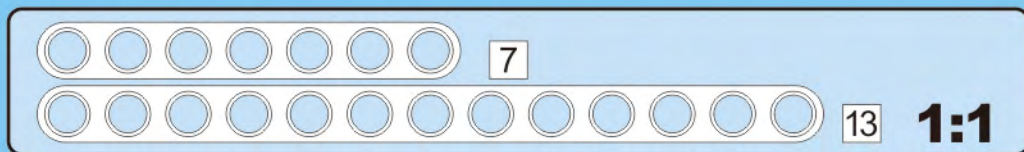
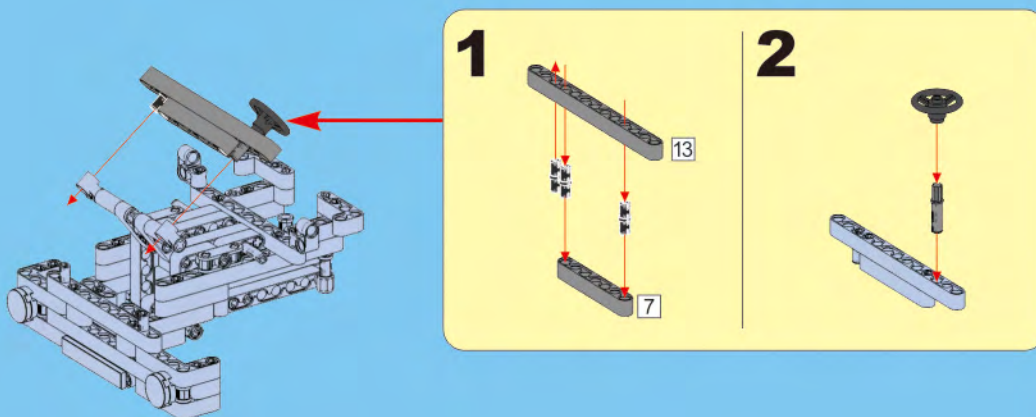


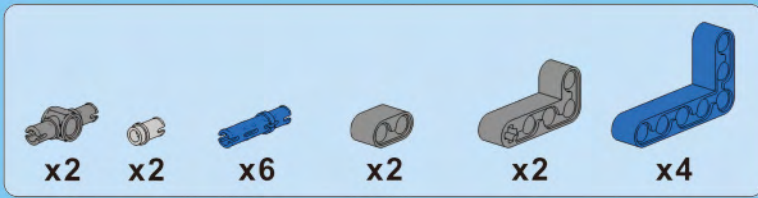
D12



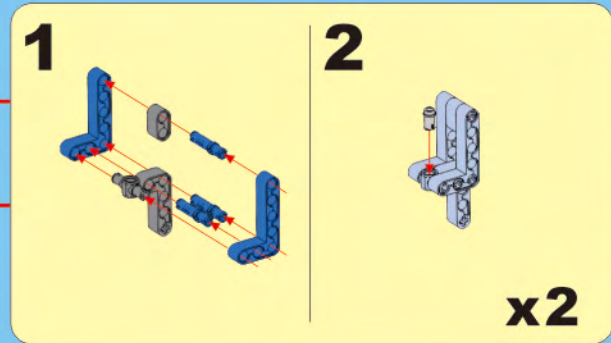
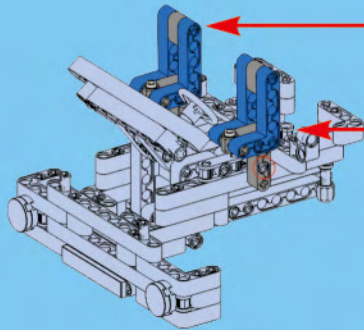


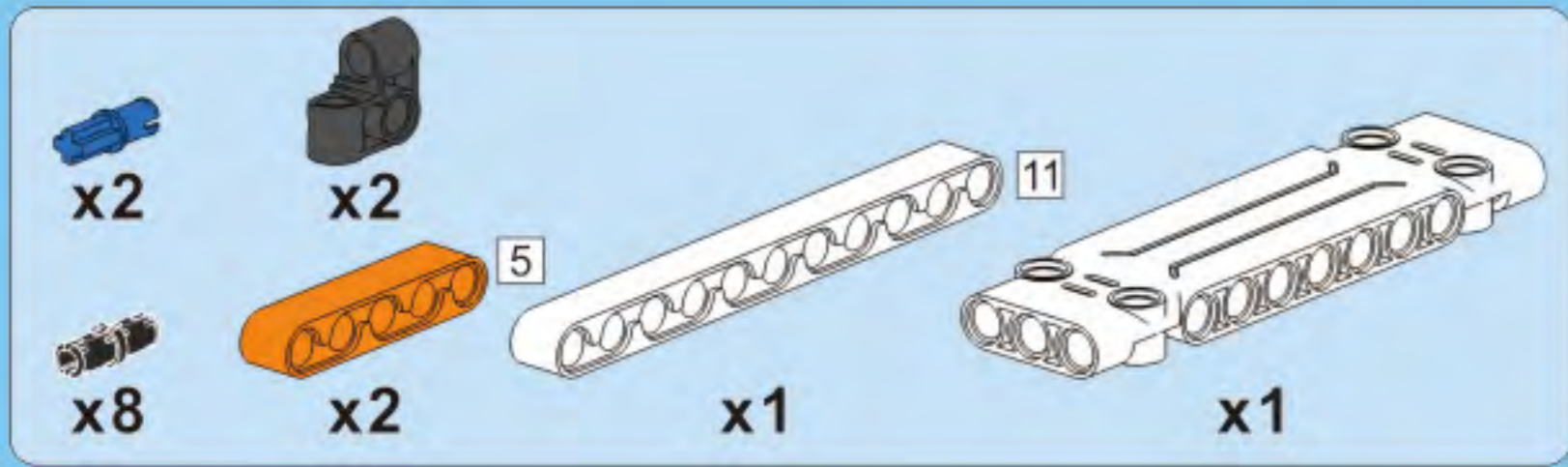
D13



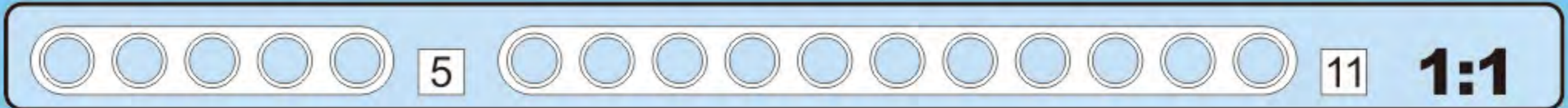
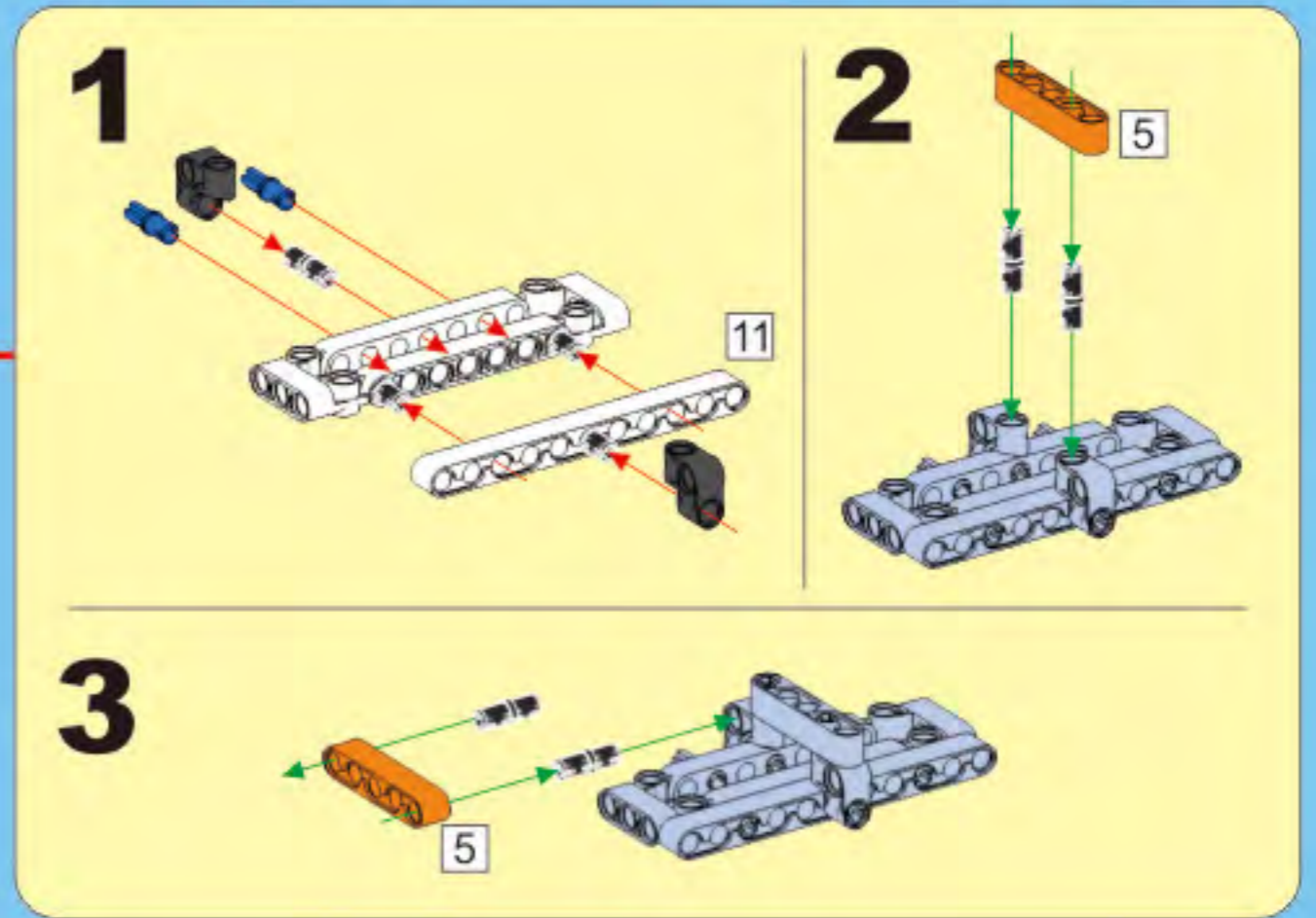
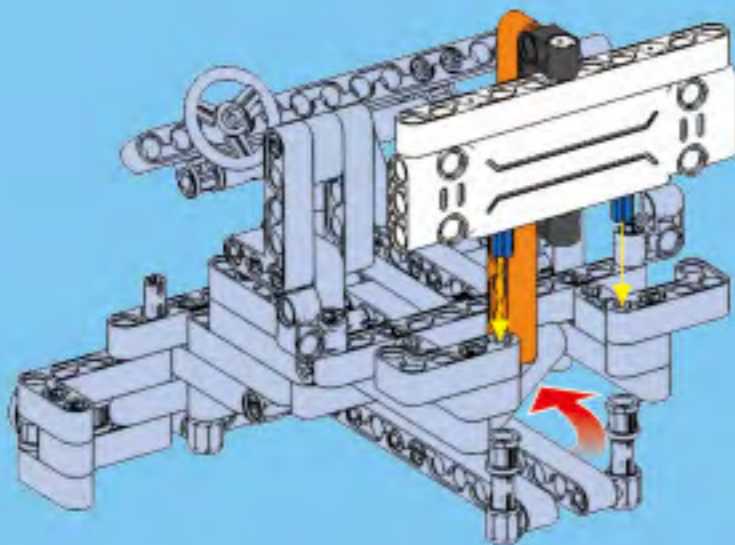
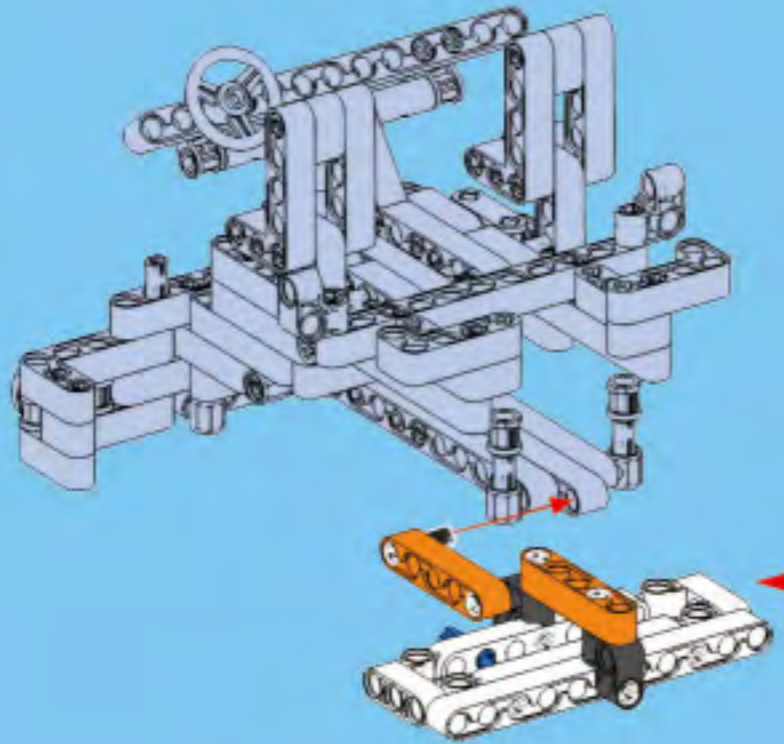


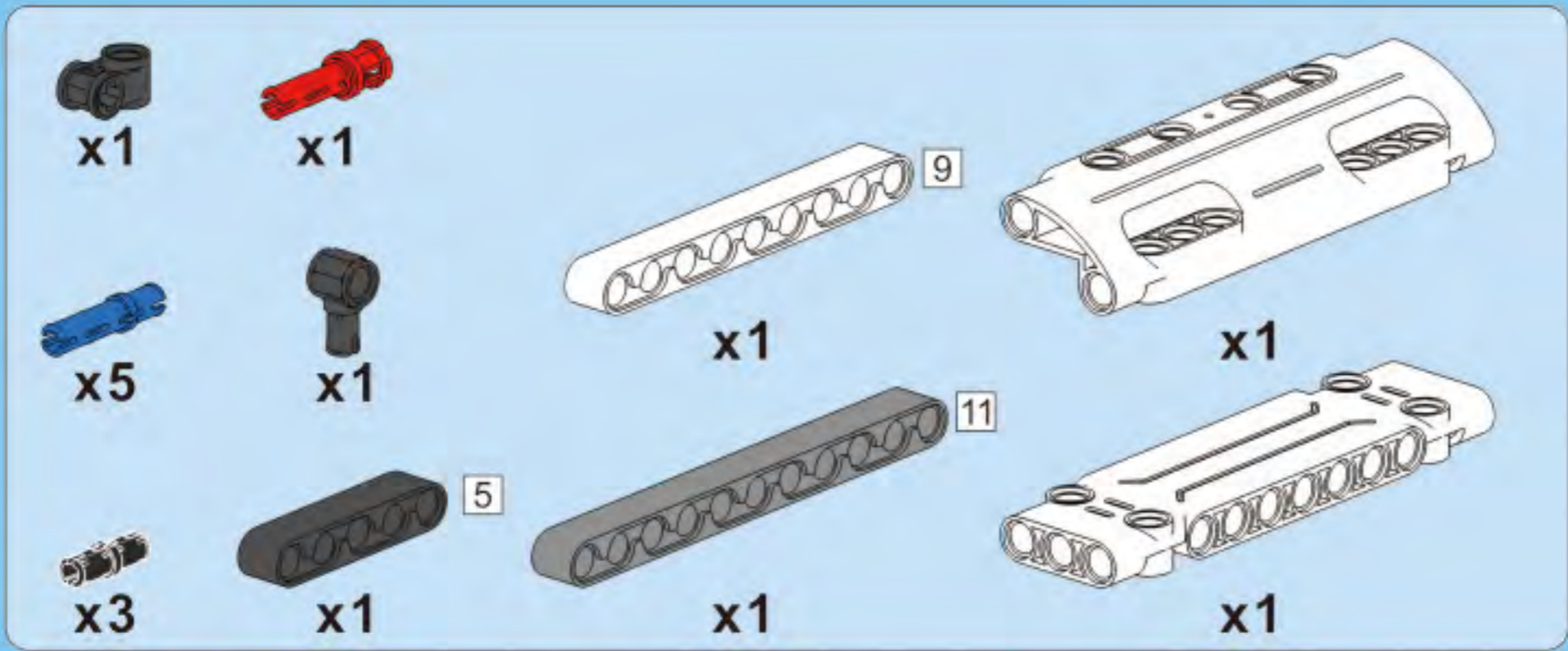
D14



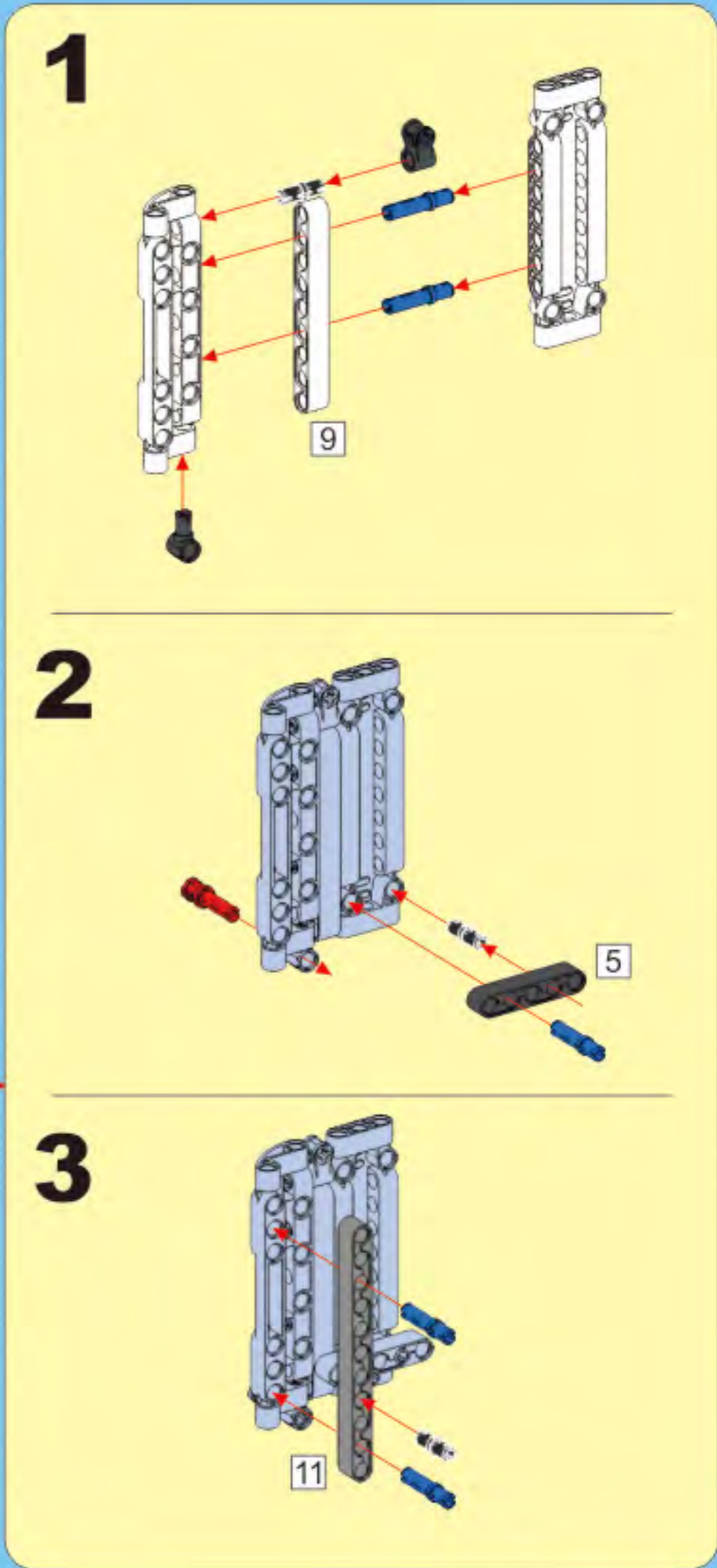
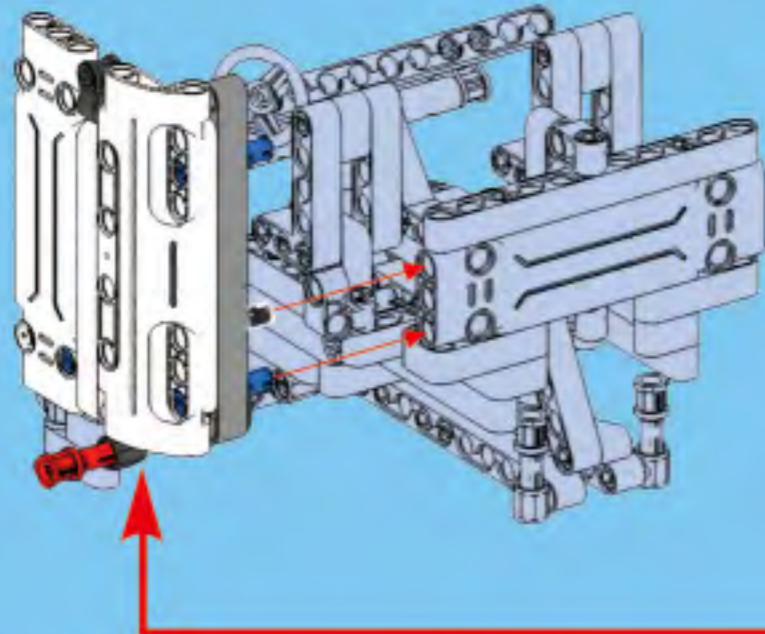


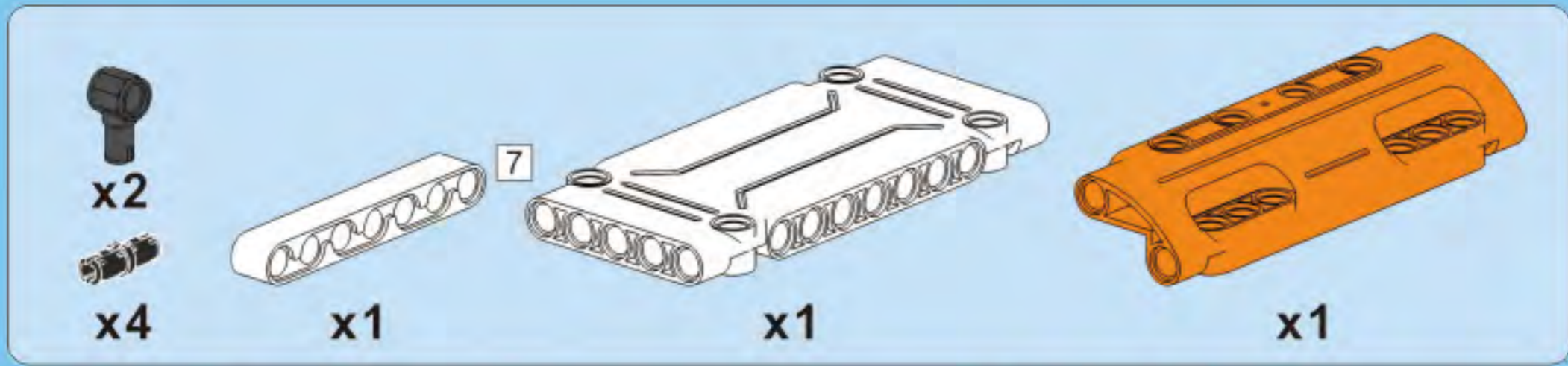
D15



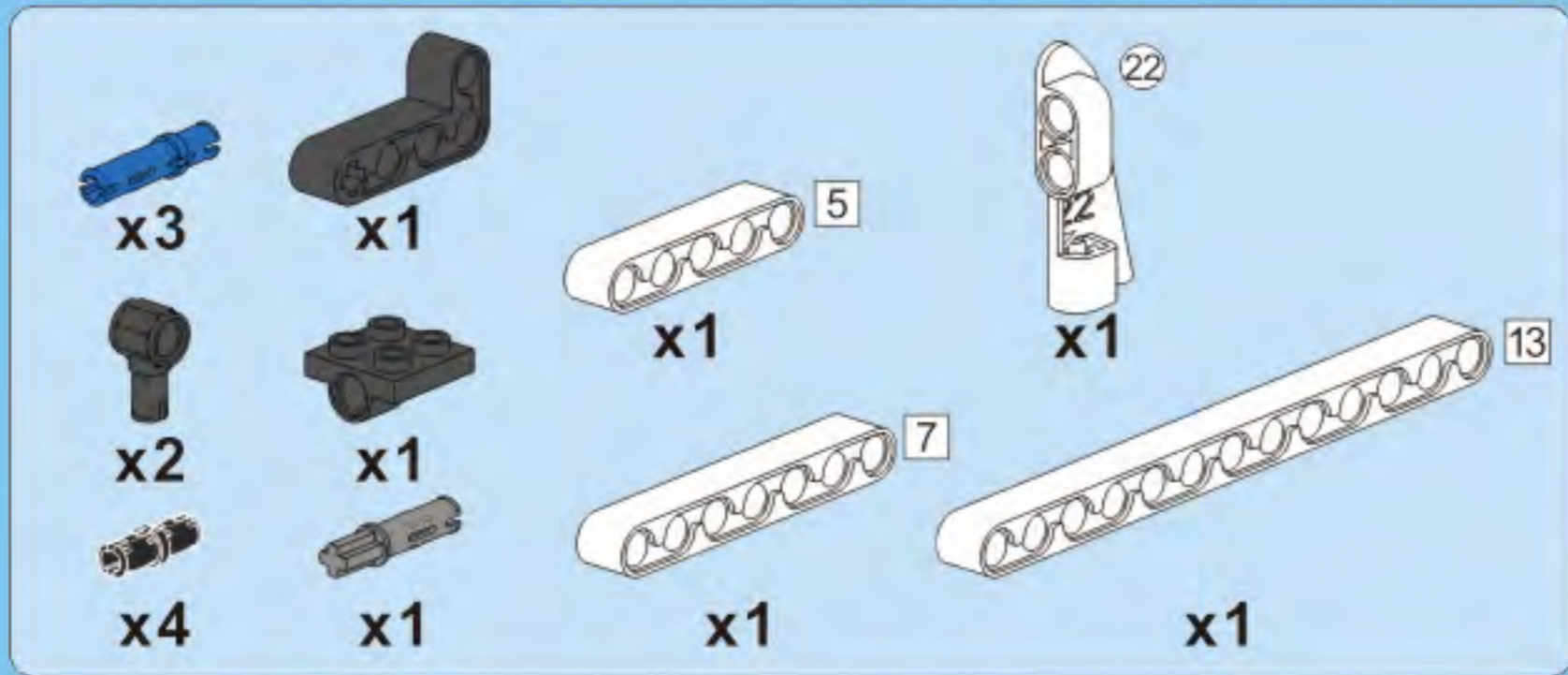
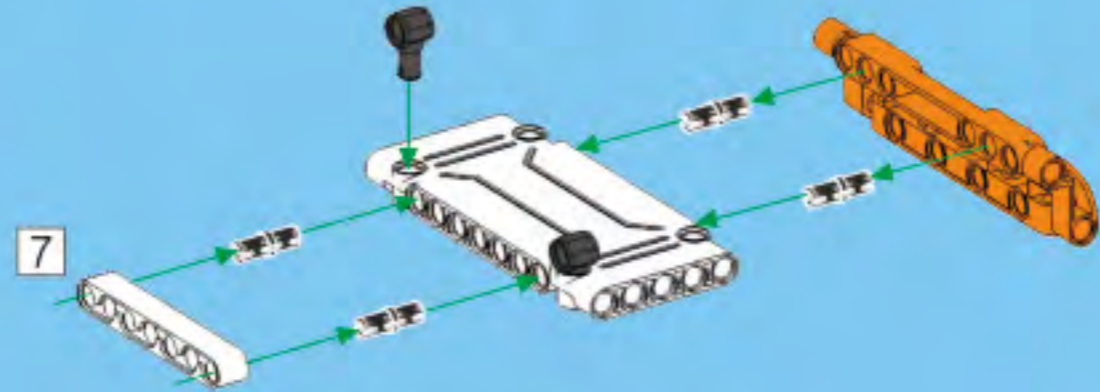


D16

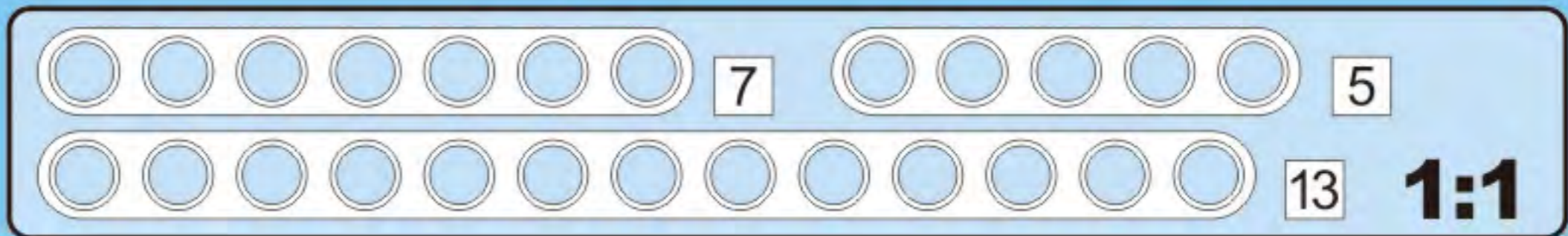
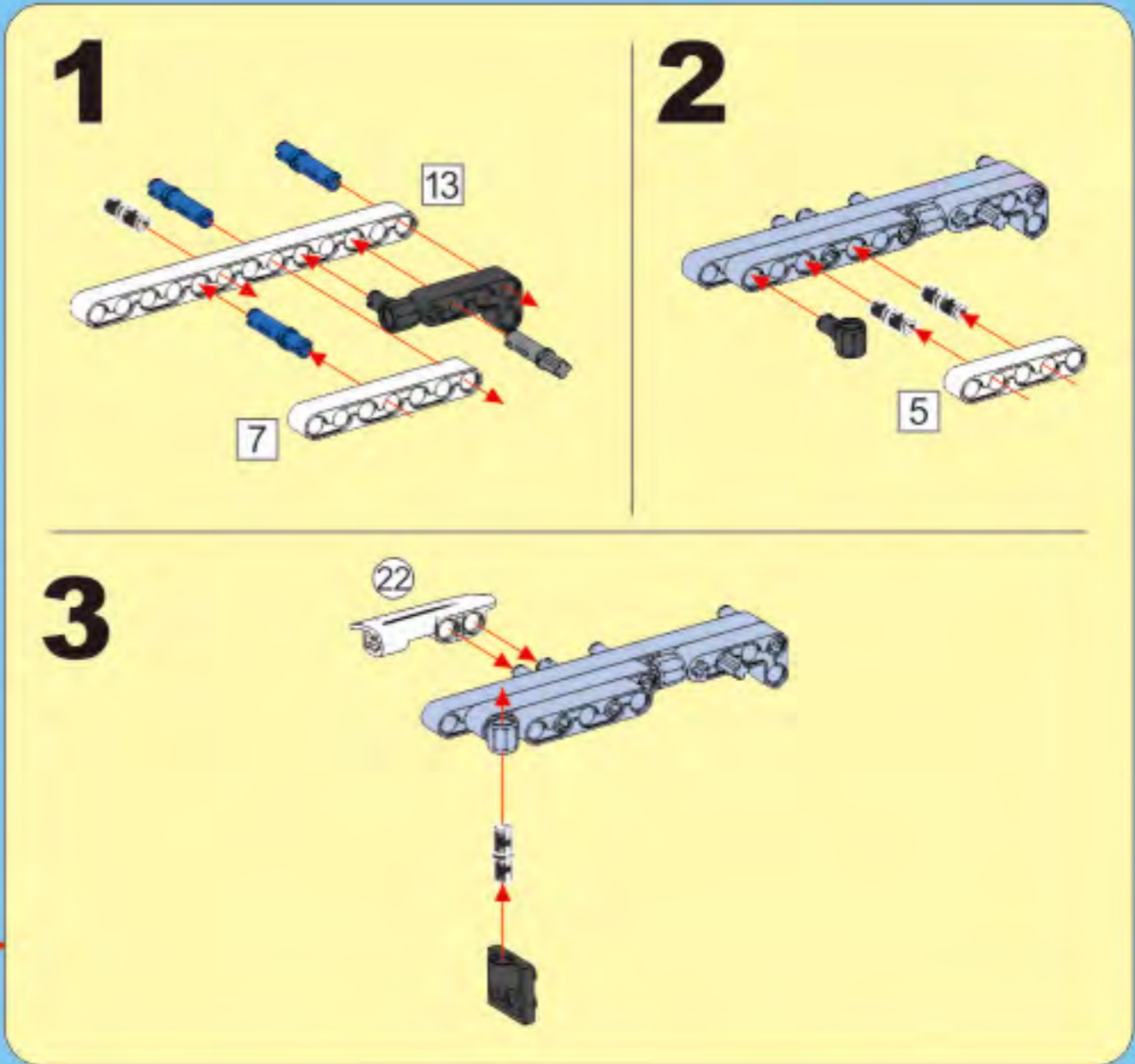
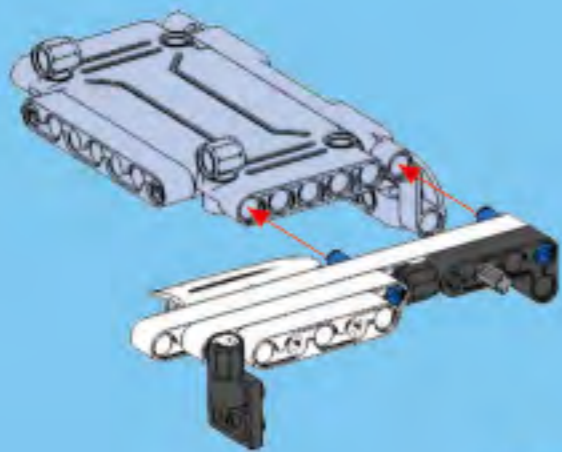


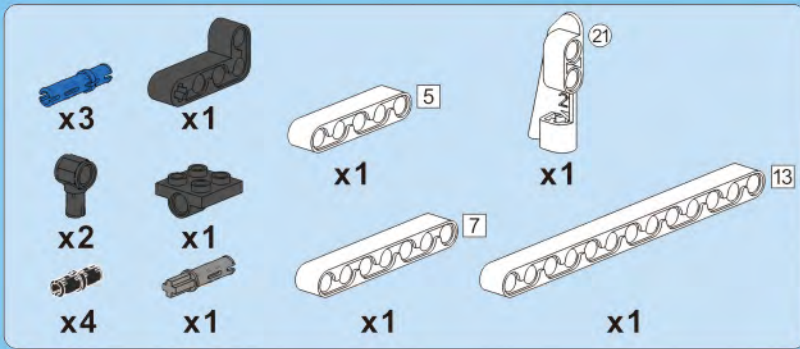


D17

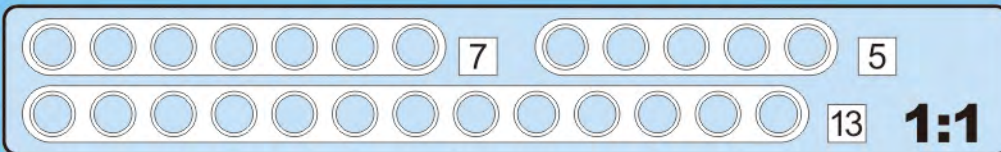
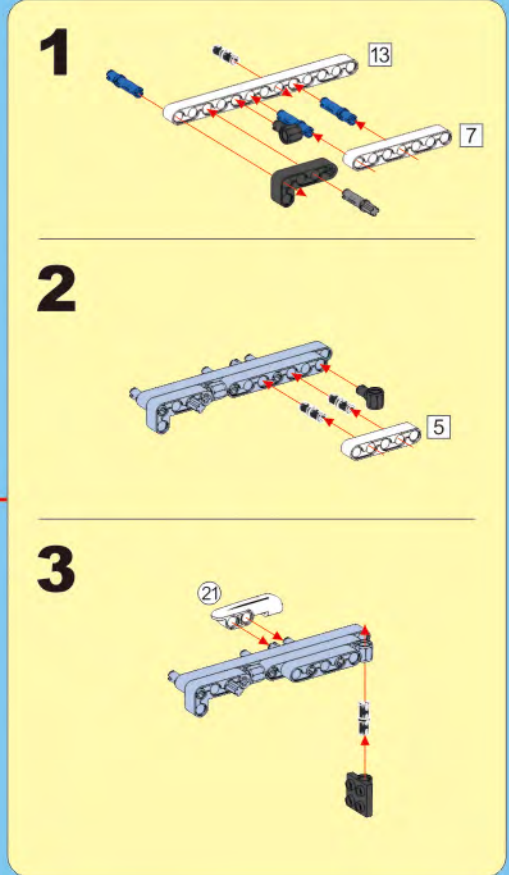
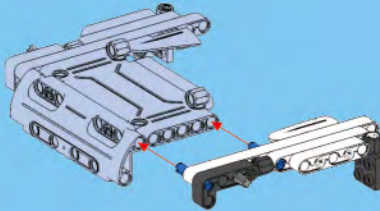


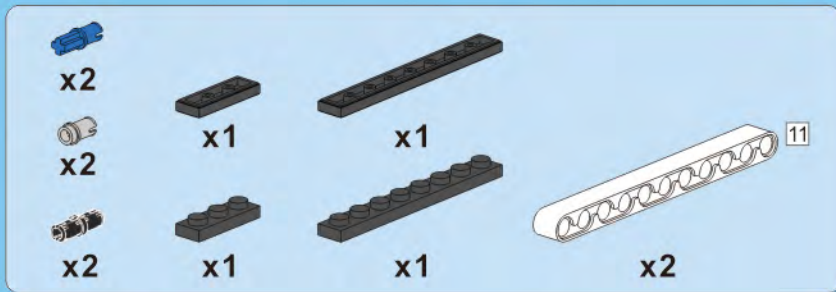
D18



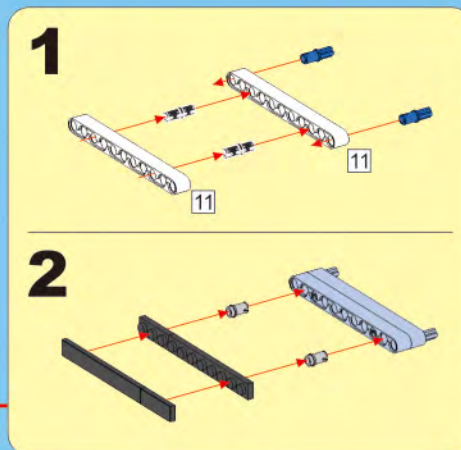
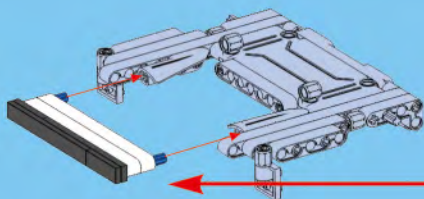


D19

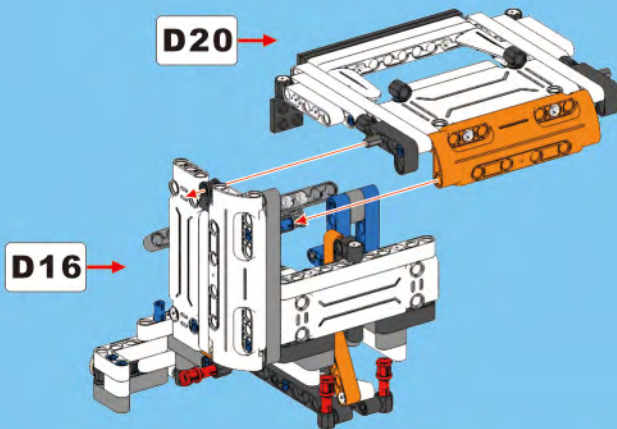


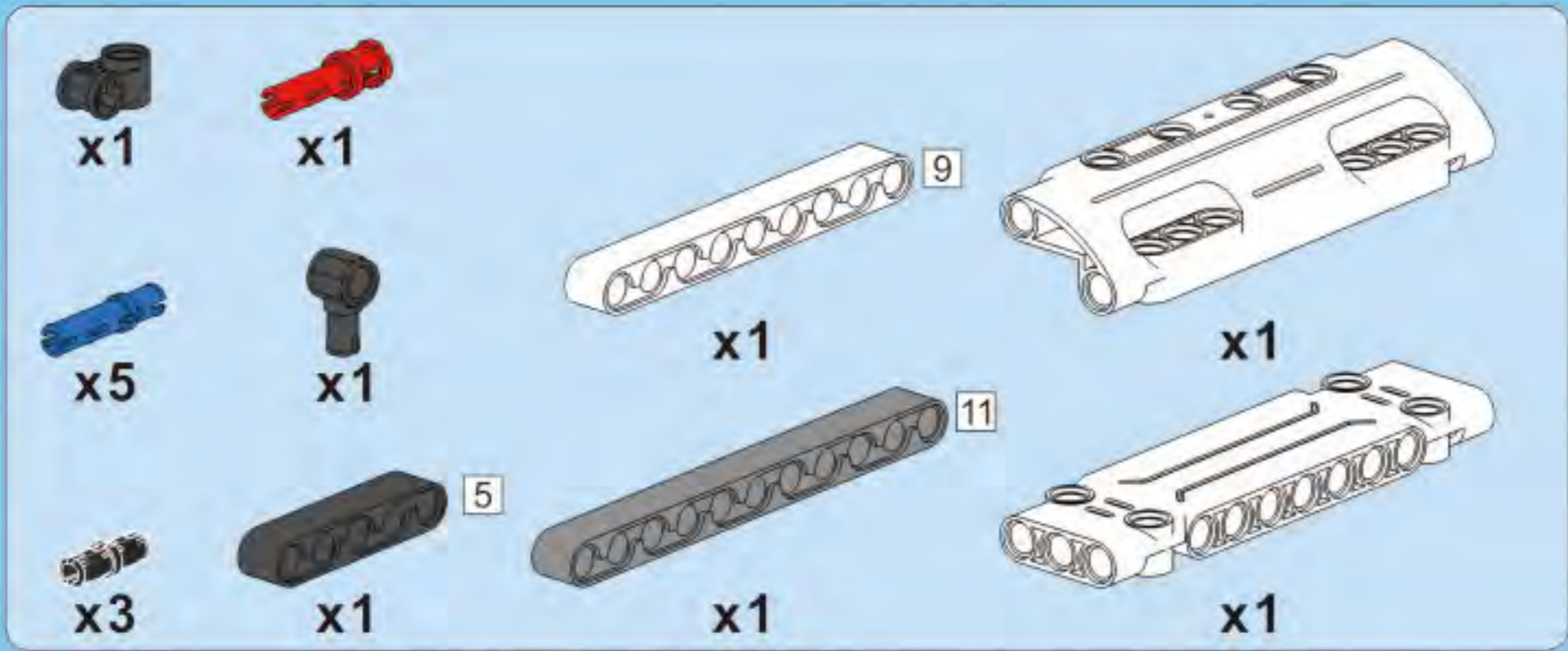


D20

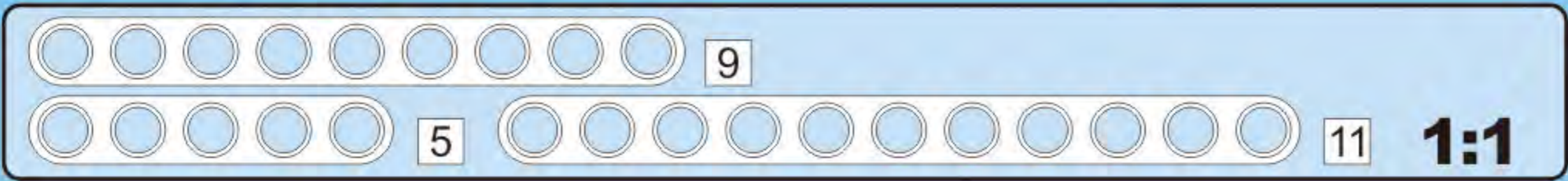
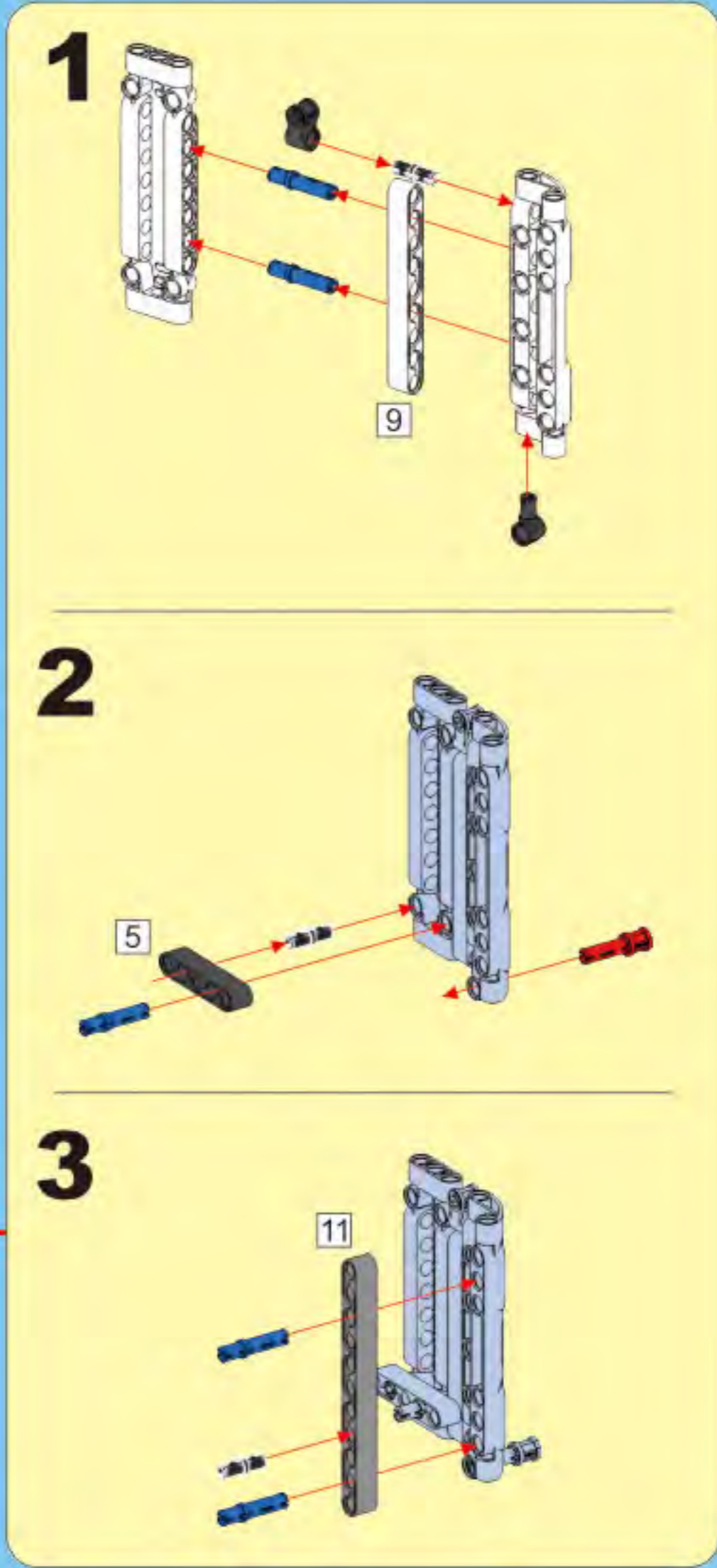
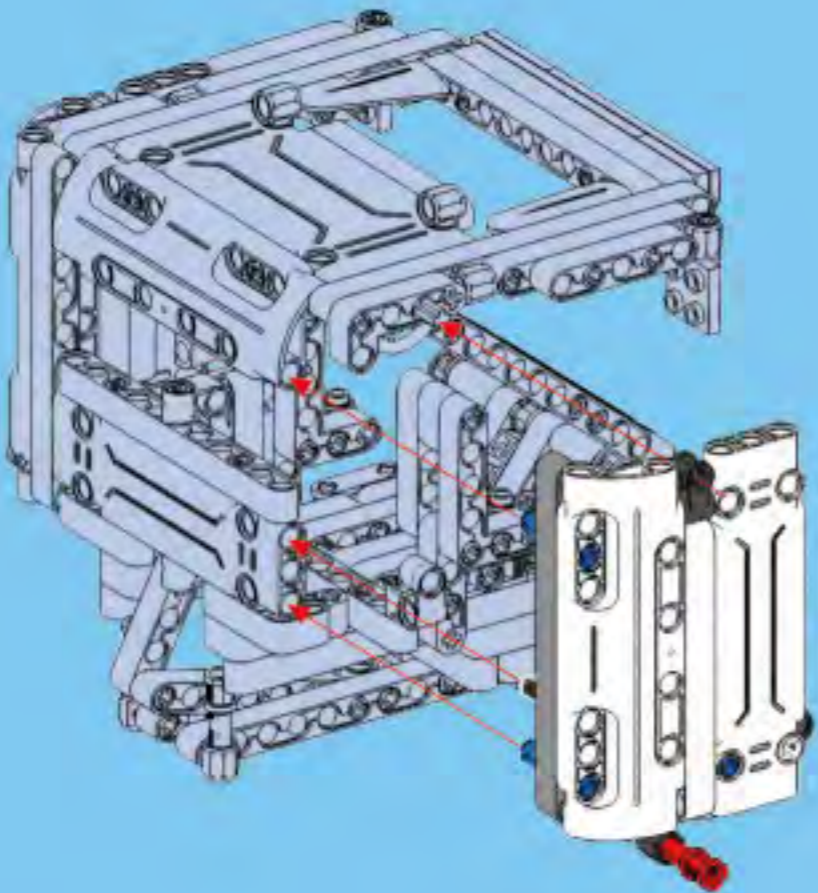


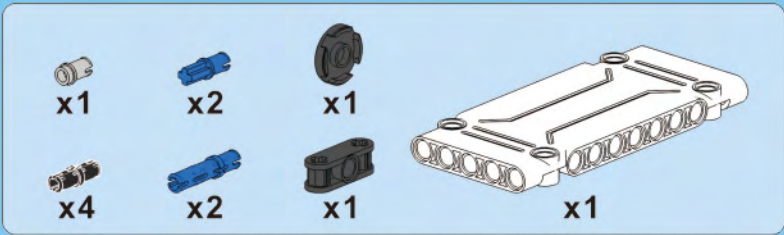
D21



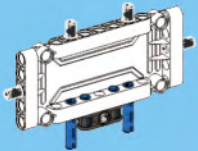


D22

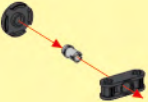




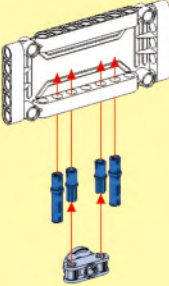
D23



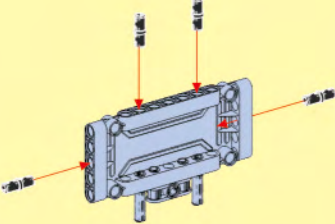
1

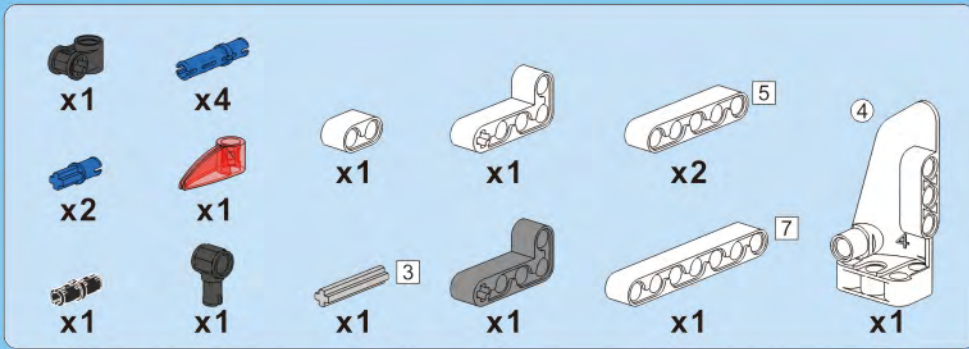


2

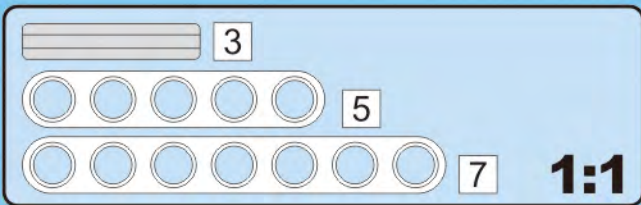
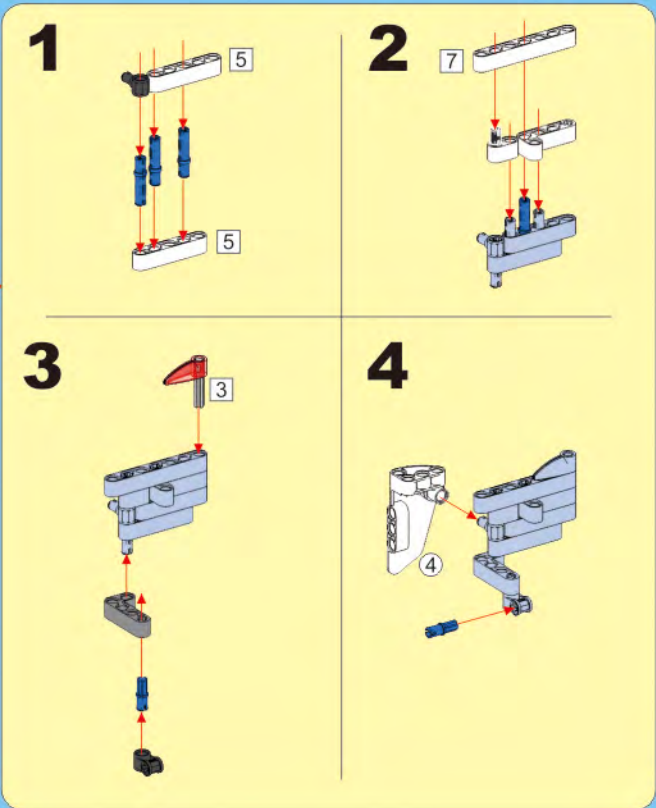
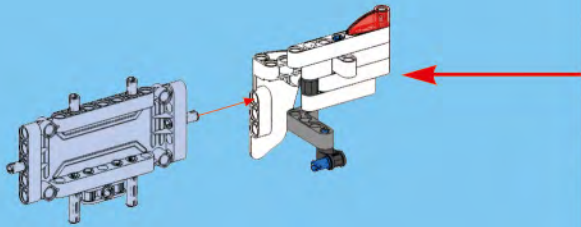


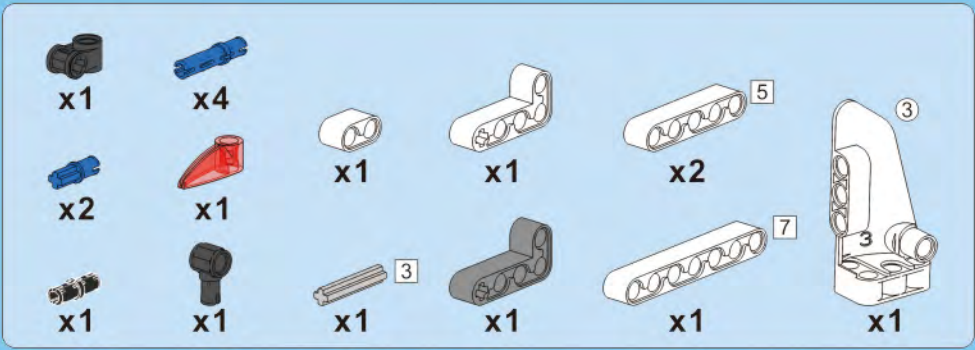
3



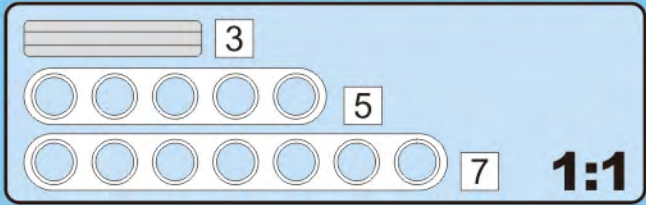
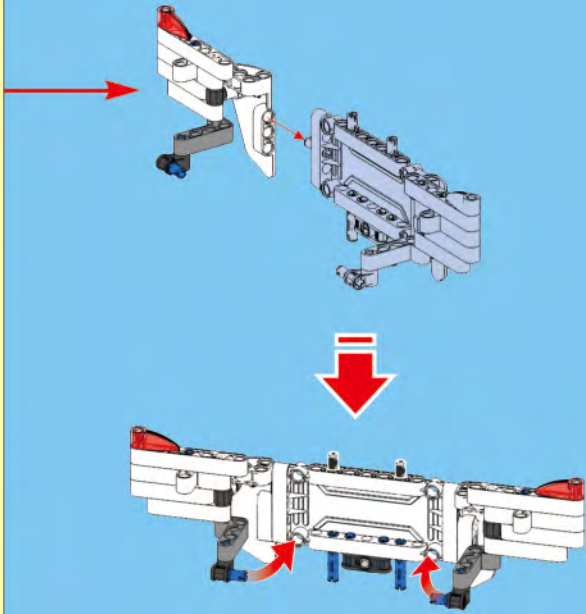
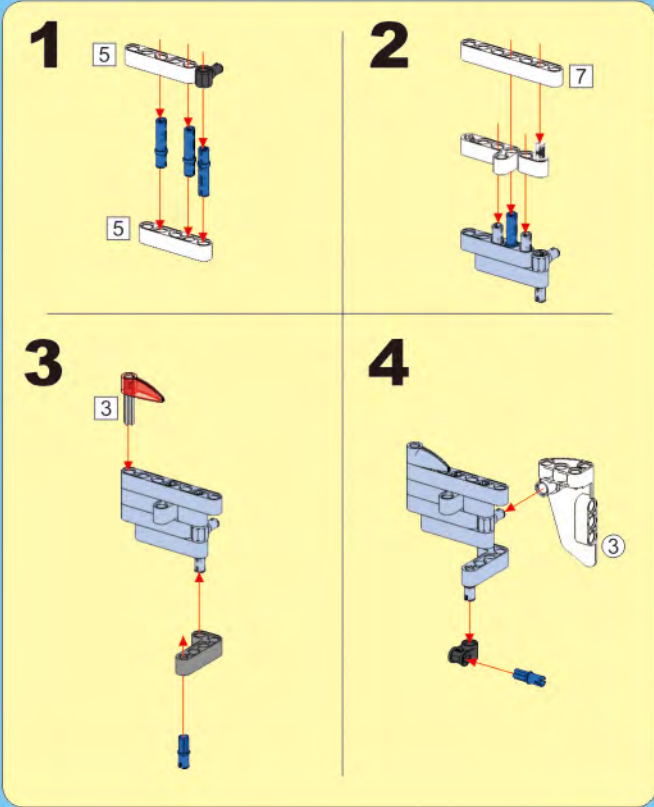


D24



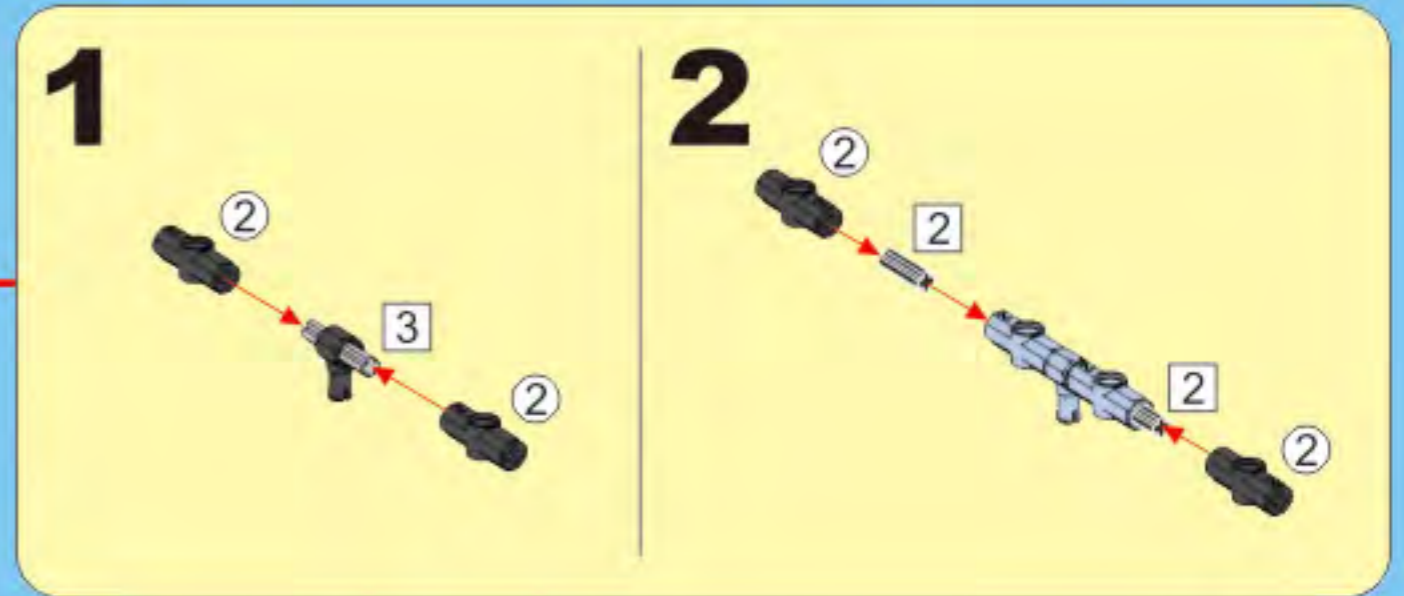
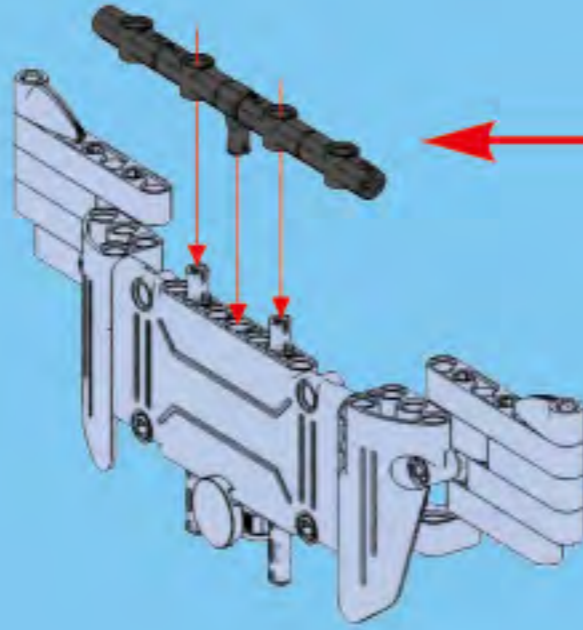


D25

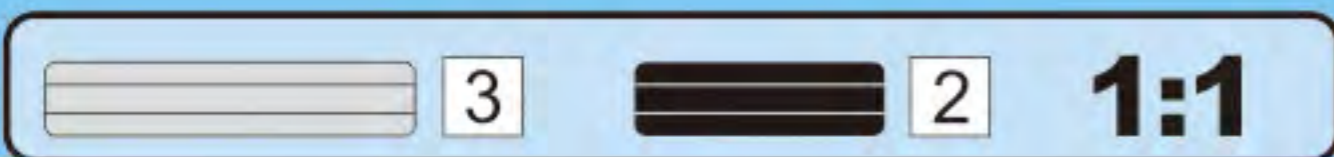
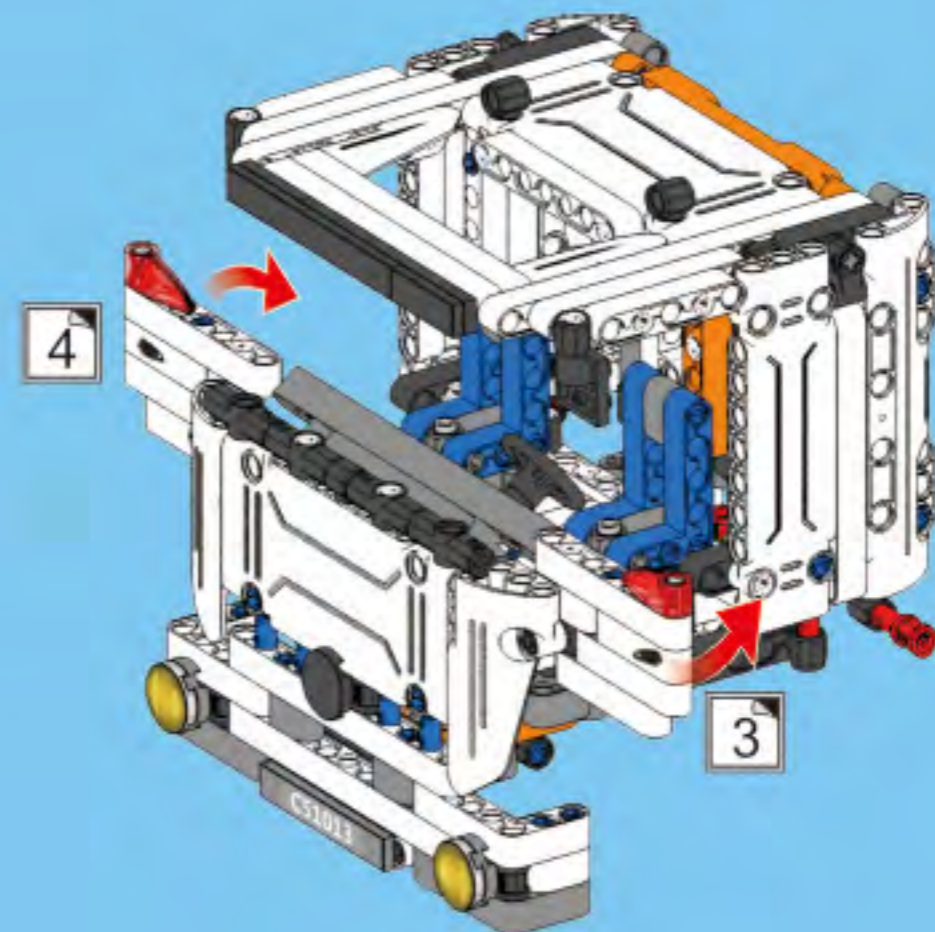
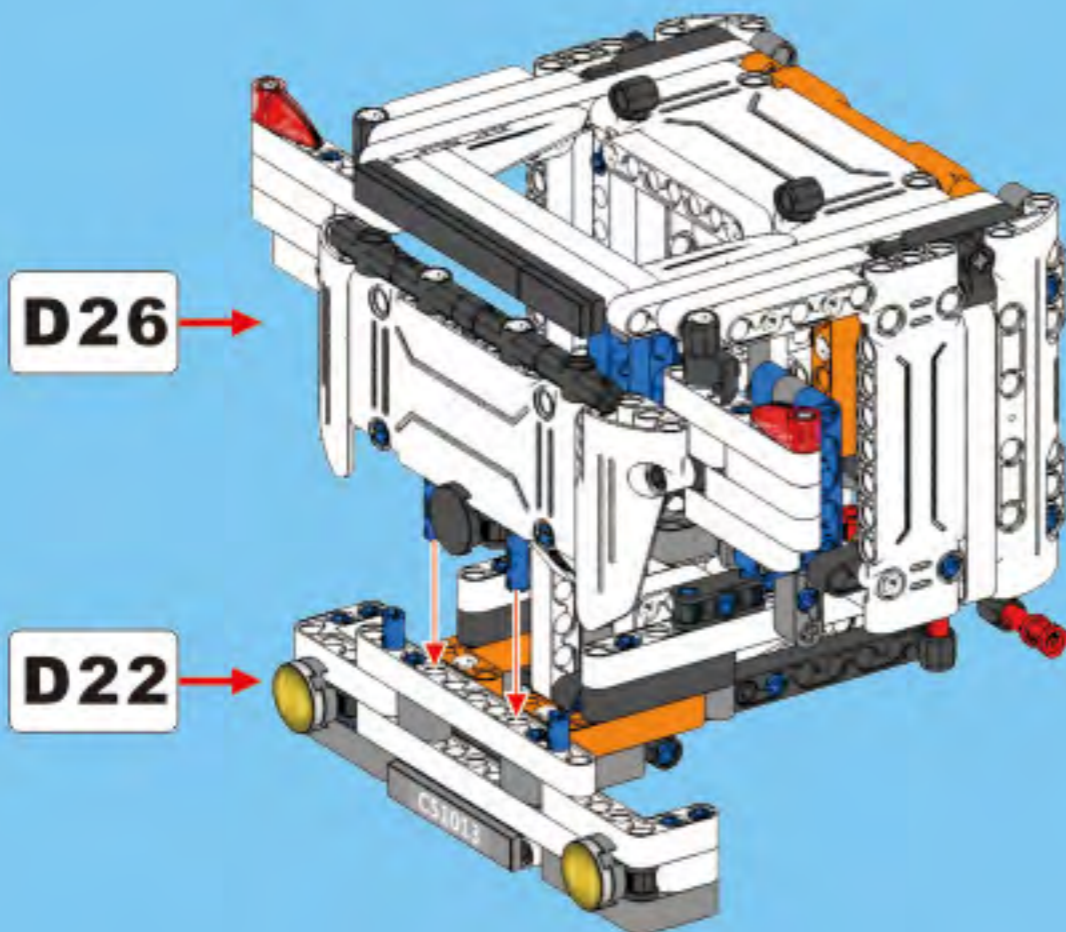




D26

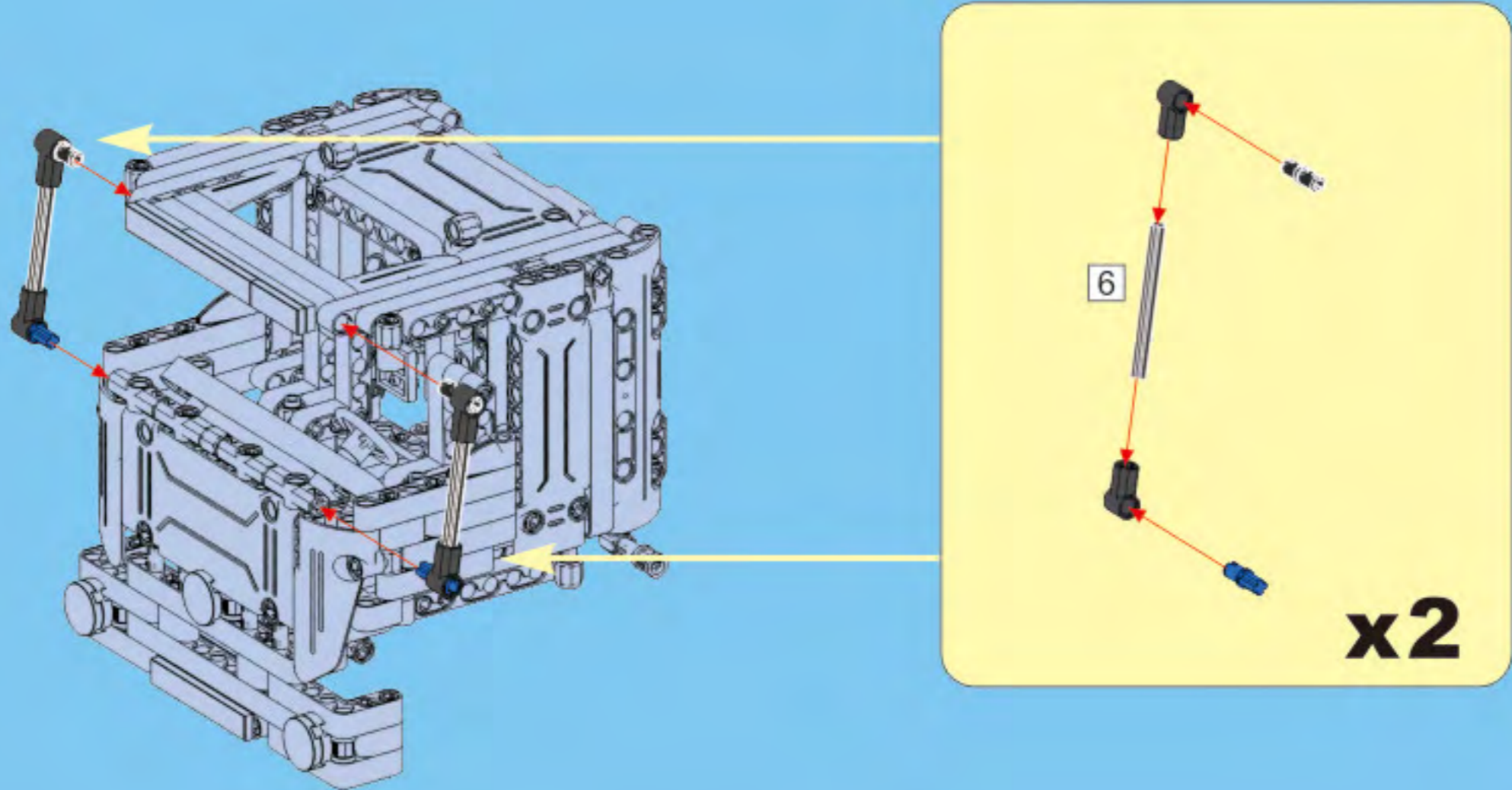


D27

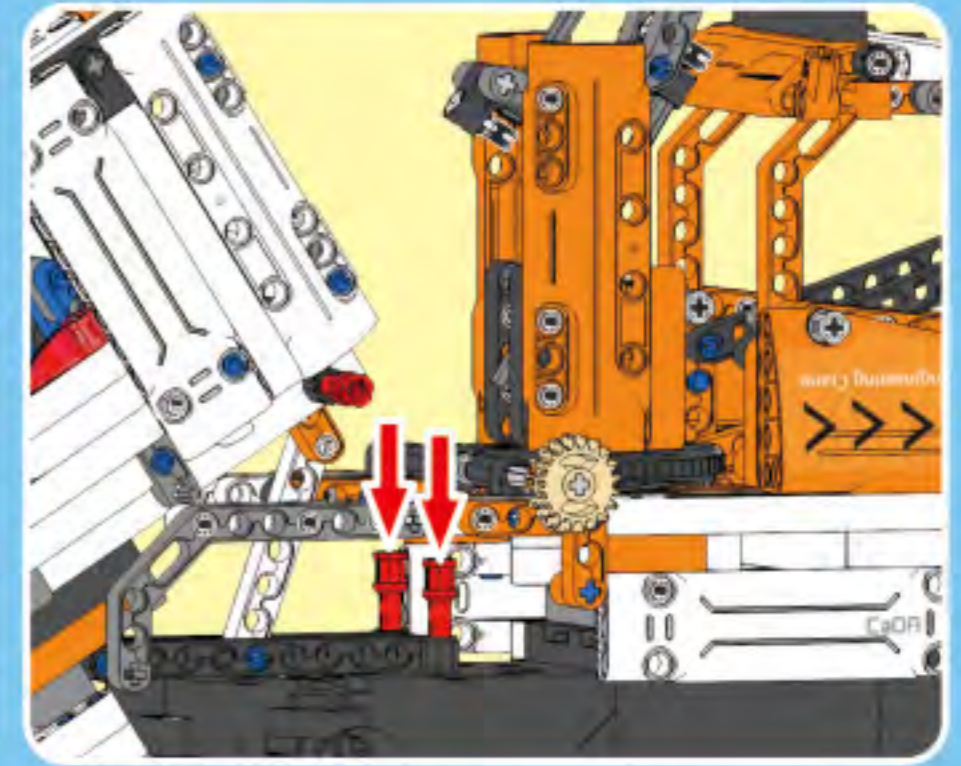
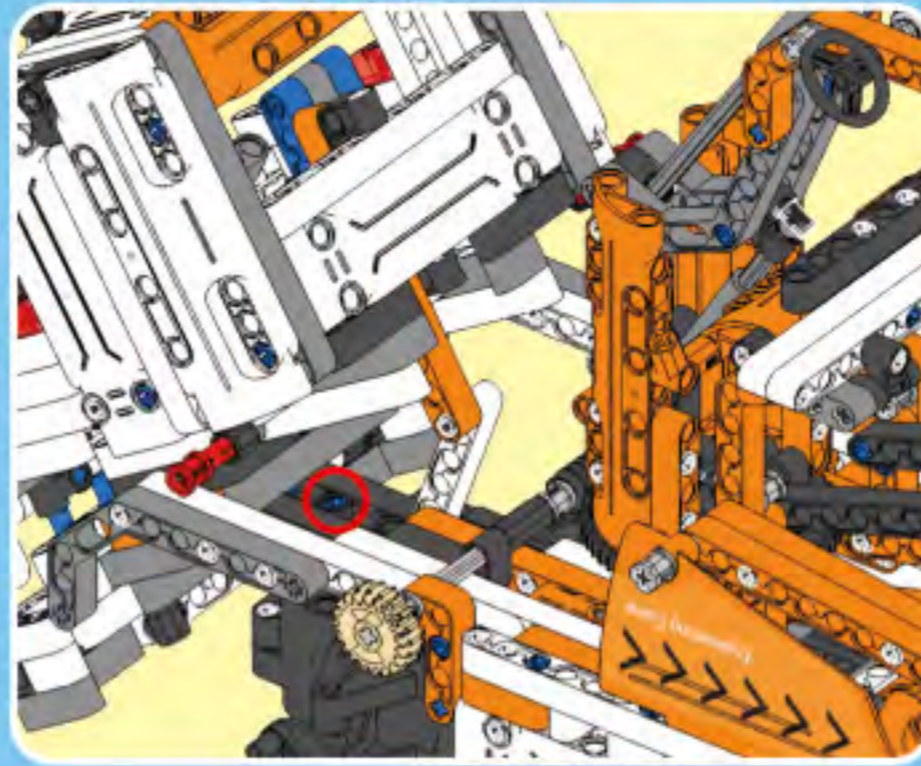




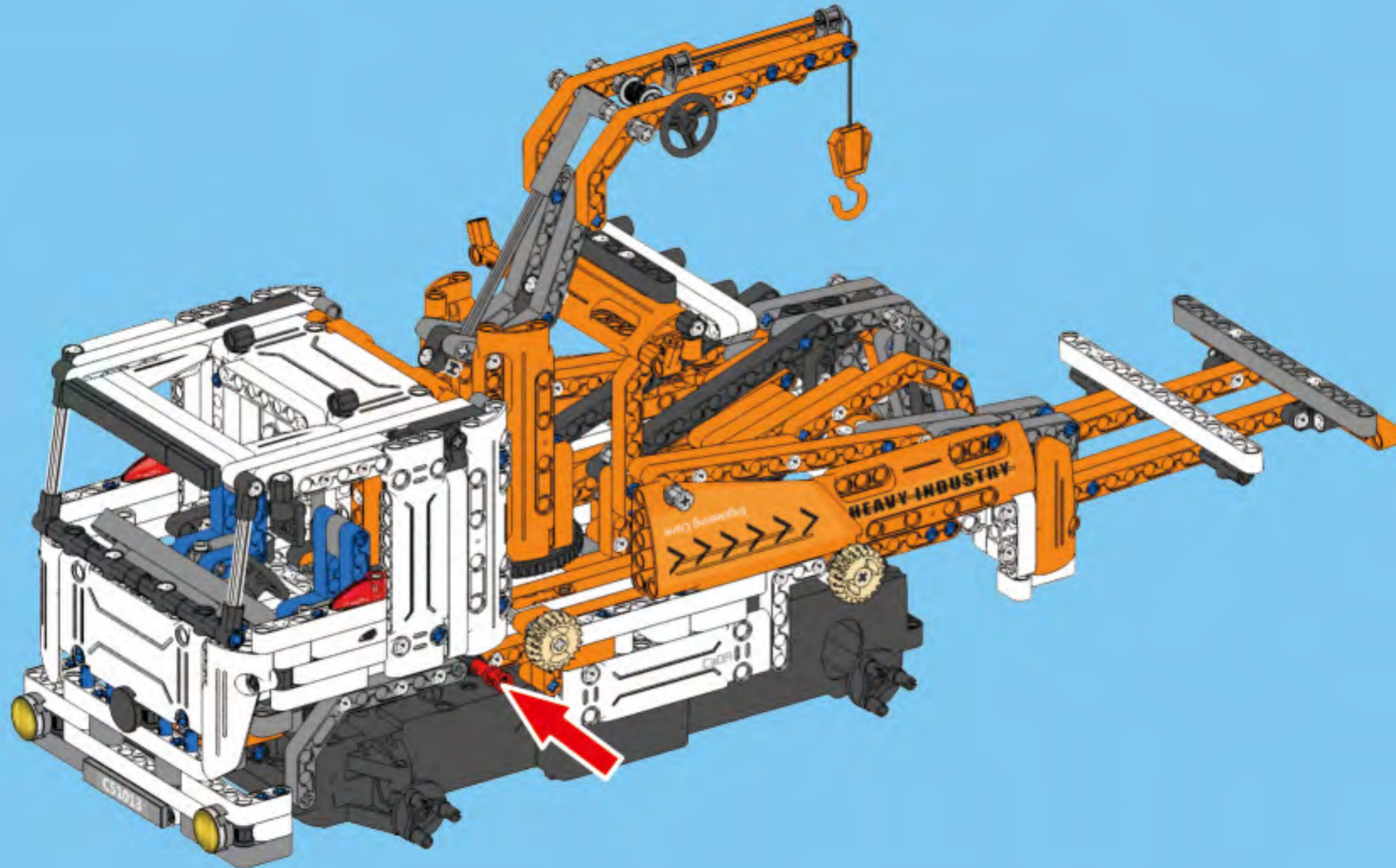
D28

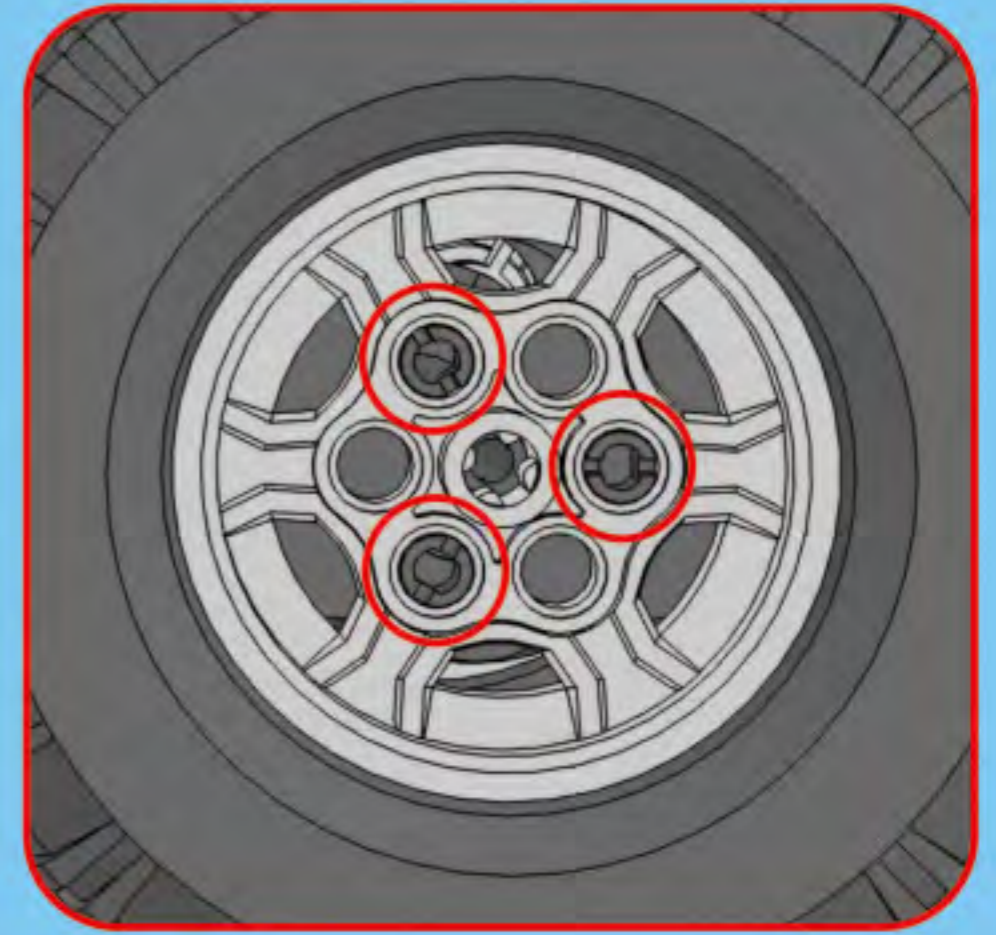
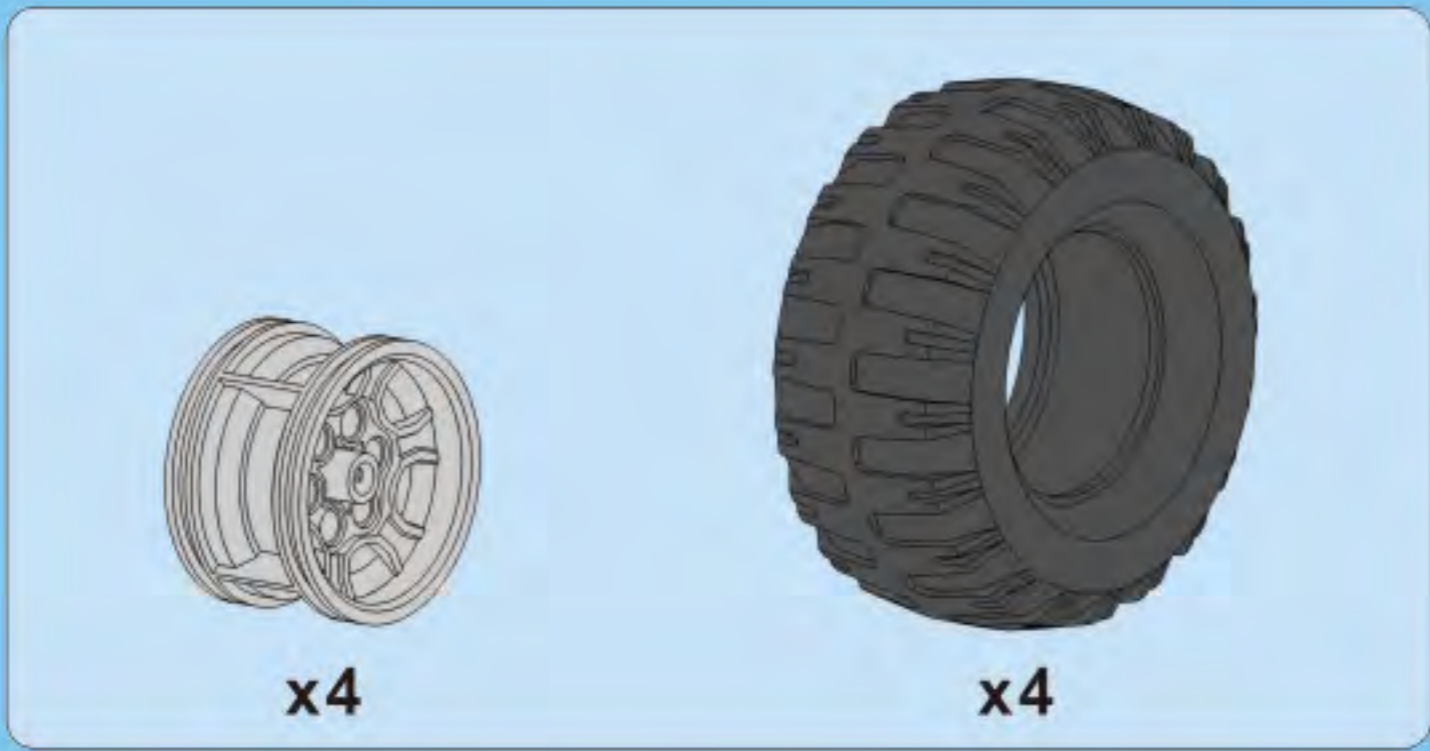


D29

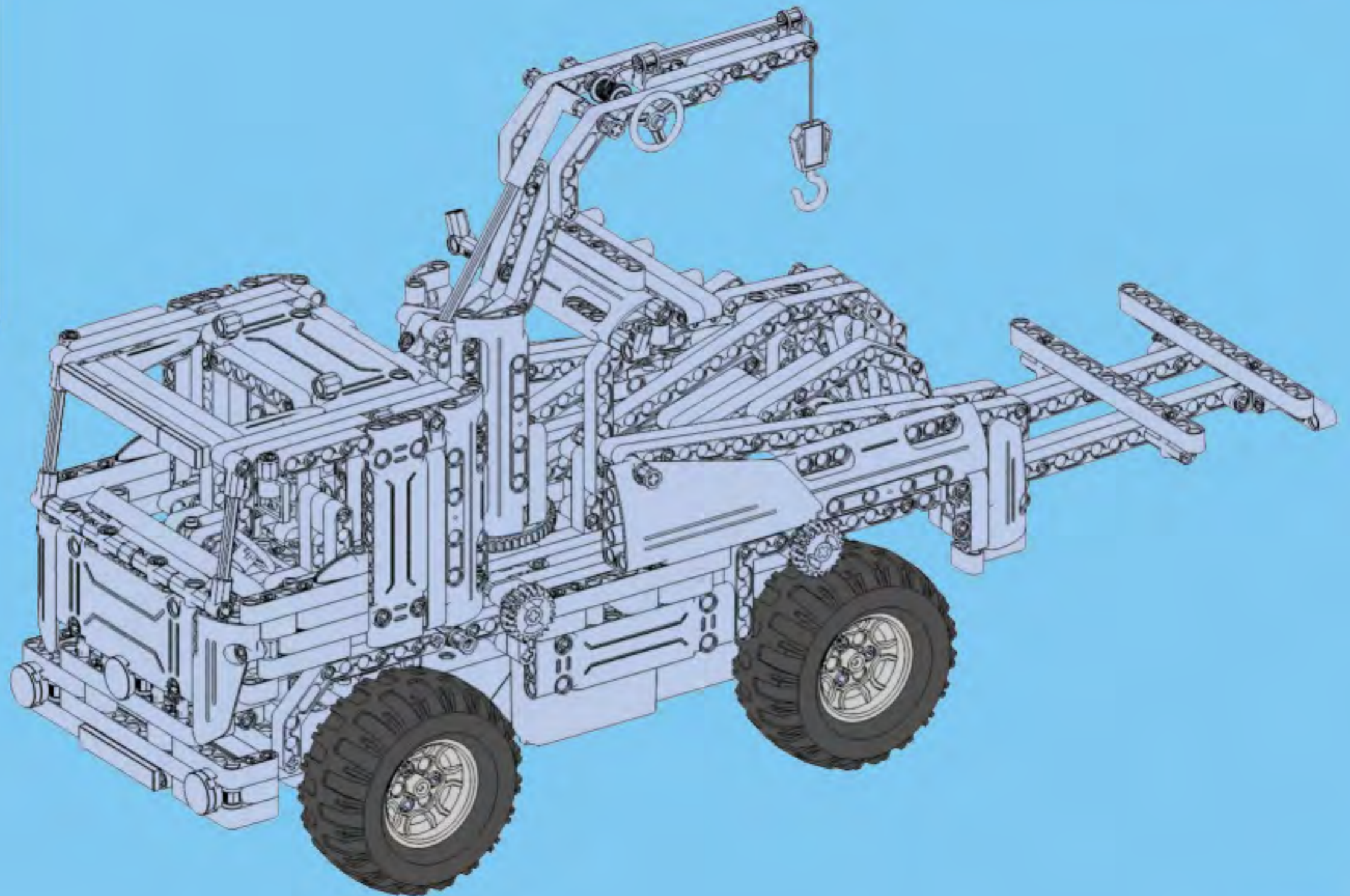


D30

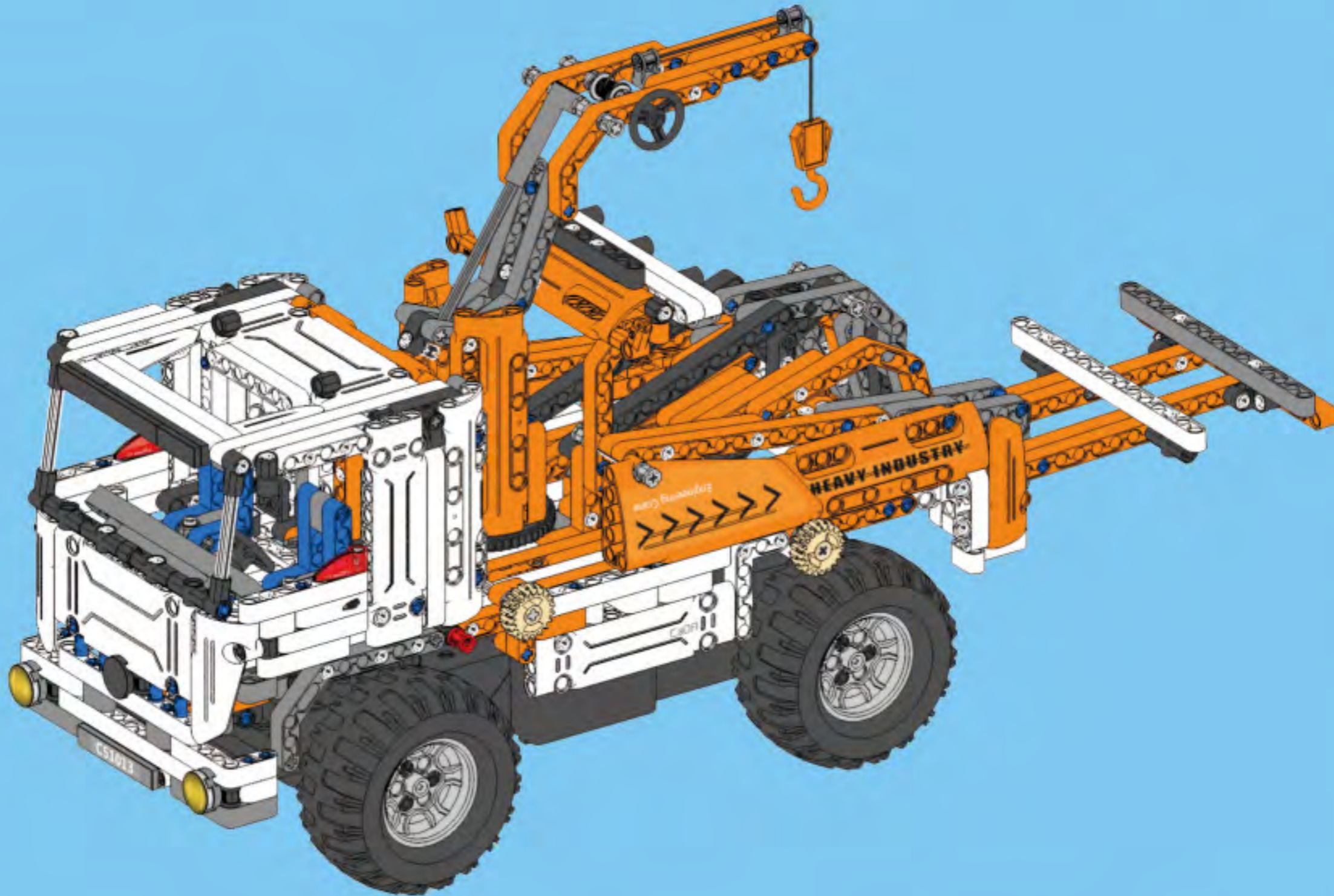


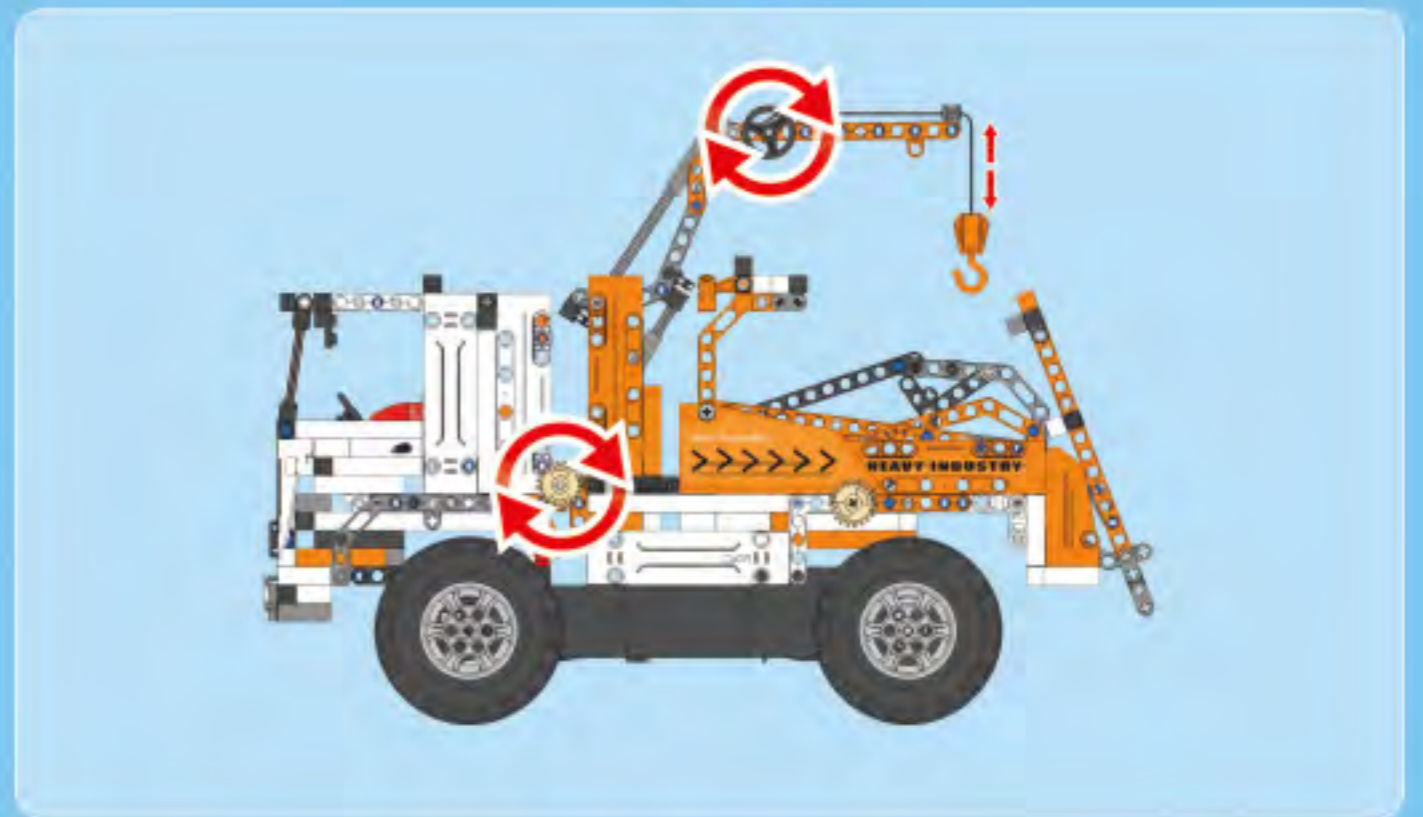
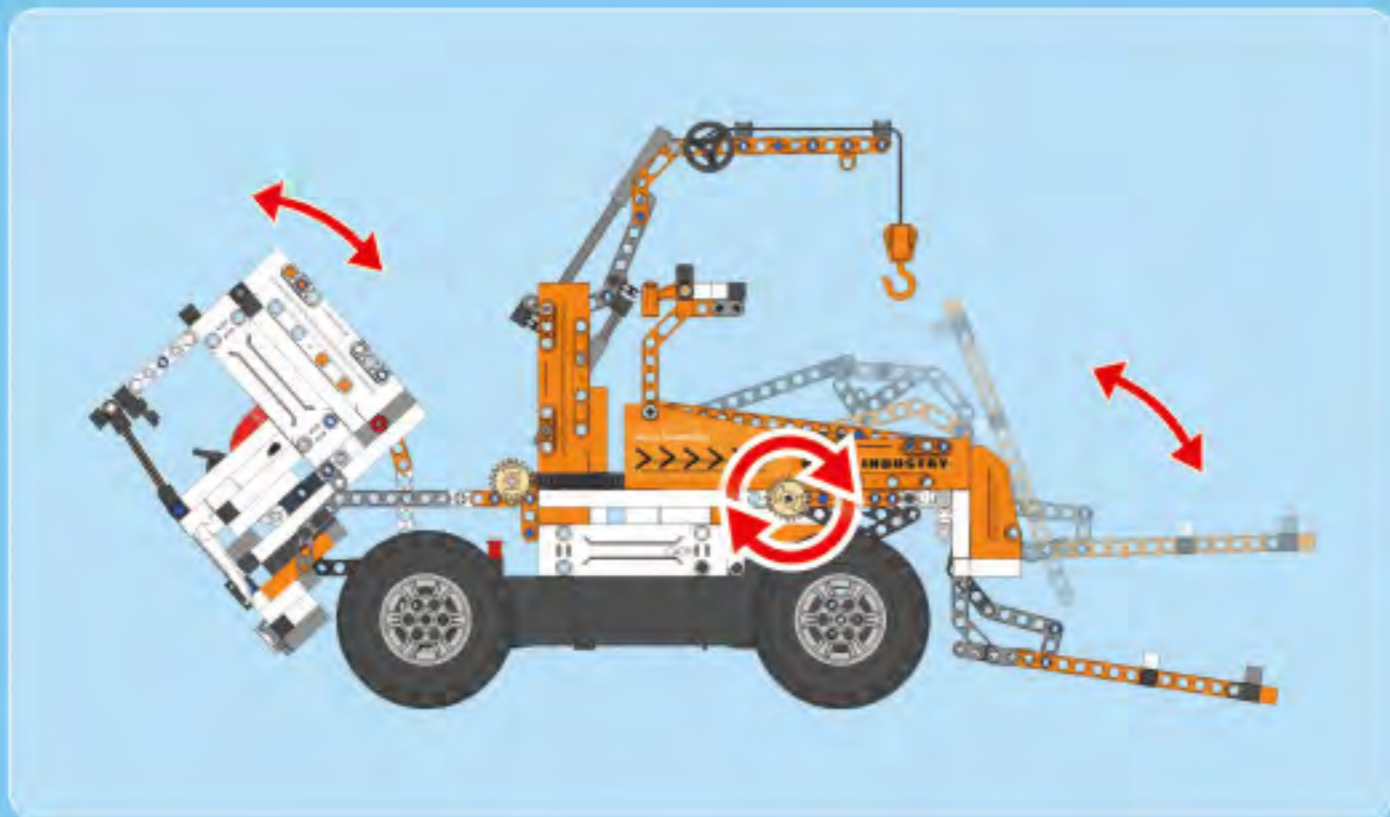
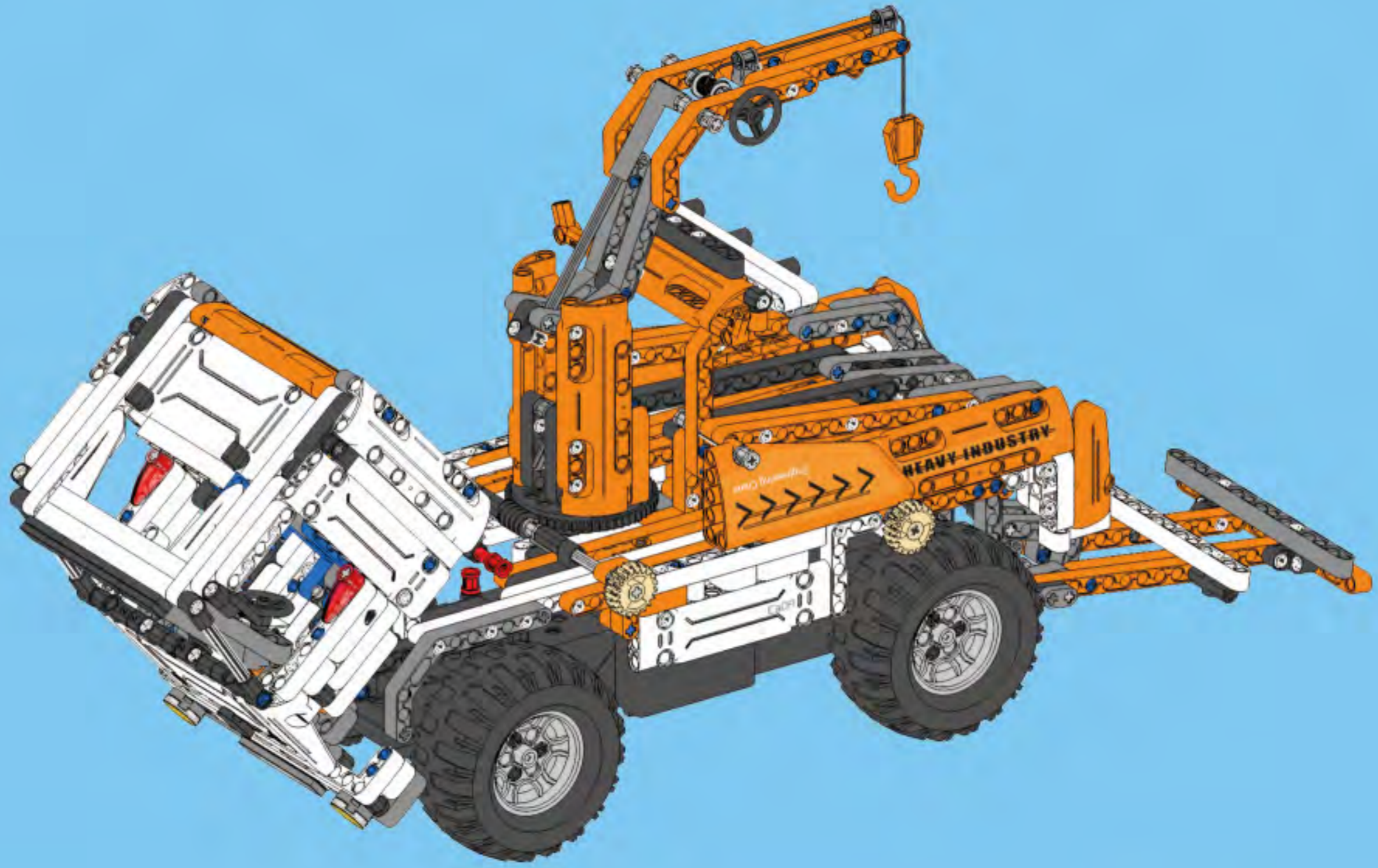


D31



D32





STEAM support



Science • Technology • Engineering • Art • Maths

The purpose of STEAM education-Science, Technology, Engineering, Art and Mathematics- is to provide students with the necessary skills, knowledge and experience in order to cope with the technological challenges of the future. Modern pedagogical theories suggest that the study of engineering should be incorporated in all other subjects, starting from elementary level. STEAM series, offers a practical solution for facing all these educational issues, aiding the teacher to engage students in STEAM disciplines in a fun, exciting and interesting way!

TECHNIC series

C51013



C51014



C51017

